

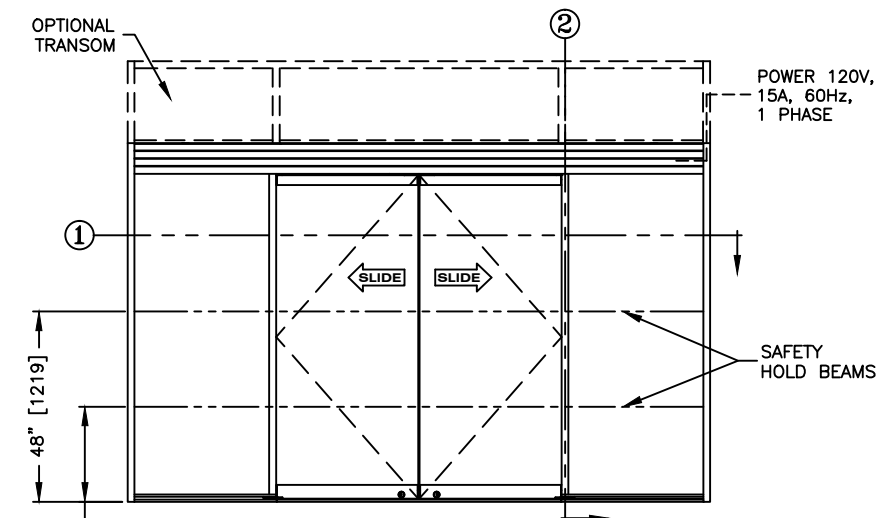


record-usa
4324 PHIL HARGETT CT.
MONROE, NC 28110
(704) 289 - 9212

JOB NAME: _____
LOCATION: _____

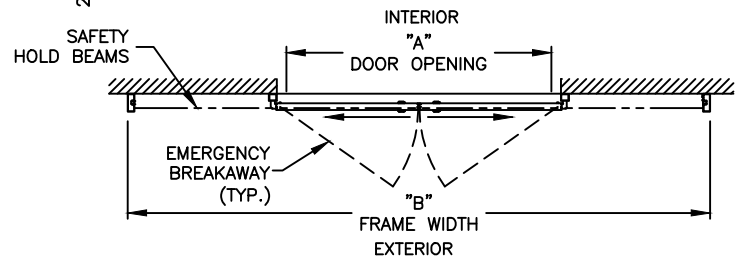
SERIES 5200 ALL GLASS SLIDING DOORS

TYPE: 5209-1, P-SX-SX-P, BI-PART
PAGE 52-2.09



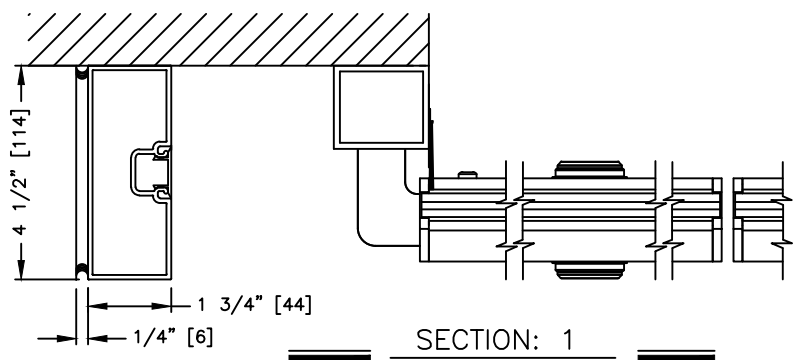
ELEVATION VIEW

SCALE: 1/4" = 1'0"



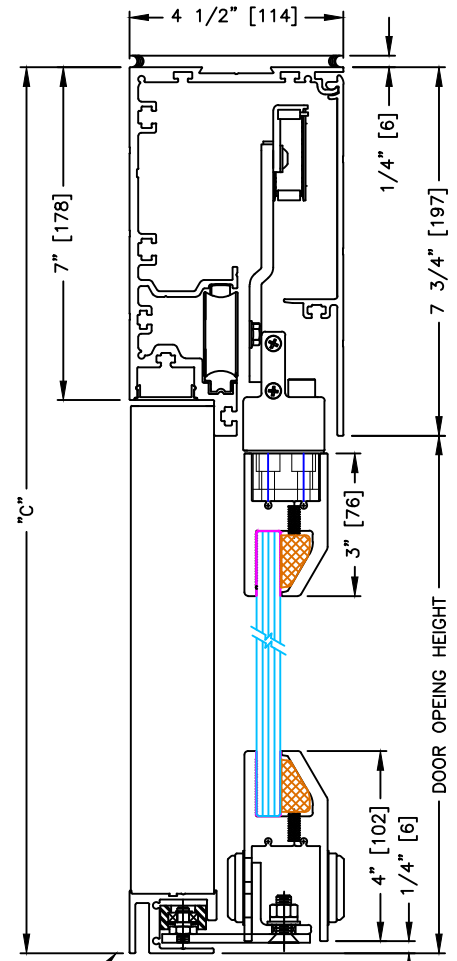
PLAN VIEW

SCALE: 1/4" = 1'0"



SECTION: 1

SCALE: 1/4 SIZE



SECTION: 2

SCALE: 1/4 SIZE

NOTES:

- 1. See sheets 51-2.86 thru 51-2.91 for optional transoms, bottom guides & thresholds.

06/16

DIMENSIONS FOR STANDARD PACKAGES

| DOOR OPENING "A" | STD. PACKAGE WIDTH "B" | STD. PACKAGE HEIGHT "C" | STD. PACKAGE HEIGHT "C" W THRESHOLD | DOOR OPENING HEIGHT W/O THRESHOLD | DOOR OPENING HEIGHT W/ THRESHOLD | I/S TUBE-TO-TUBE (MAX OPENING MANUALLY) |
|------------------|------------------------|-------------------------|-------------------------------------|-----------------------------------|----------------------------------|---|
| 45 (1143) | 108 (2743) | 91 (2311) | 91 (2311) | 83-1/4 (2115) | 82-3/4 (2102) | 52-1/4 (1327) |
| 51 (1295) | 120 (3048) | 91 (2311) | 91 (2311) | 83-1/4 (2115) | 82-3/4 (2102) | 58-1/4 (1480) |
| 63 (1600) | 144 (3658) | 91 (2311) | 91 (2311) | 83-1/4 (2115) | 82-3/4 (2102) | 70-1/4 (1784) |
| 75 (1905) | 168 (4267) | 91 (2311) | 91 (2311) | 83-1/4 (2115) | 82-3/4 (2102) | 82-1/4 (2089) |
| 87 (2210) | 192 (4877) | 91 (2311) | 91 (2311) | 83-1/4 (2115) | 82-3/4 (2102) | 94-1/4 (2394) |

Masonry opening is 1/2" (6) per side larger and 1/4" taller than package dimensions. Measurements given in inches (millimeters).