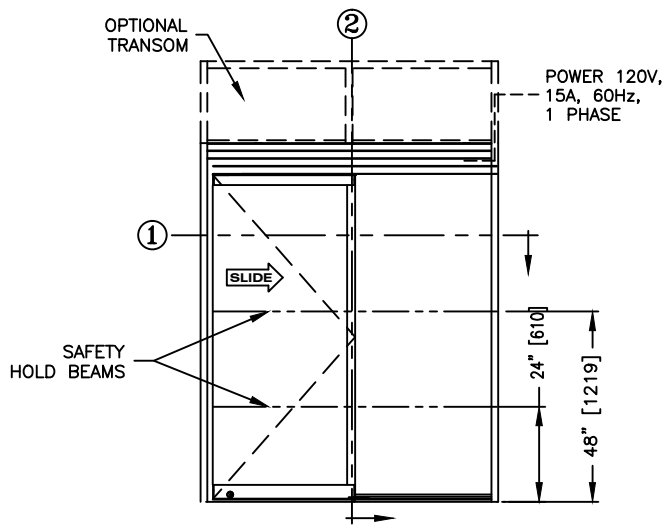




**record-usa**  
4324 PHIL HARGETT CT.  
MONROE, NC 28110  
(704) 289 - 9212

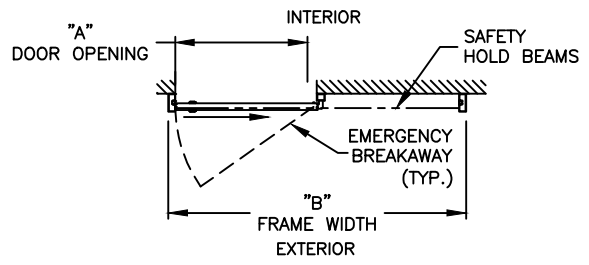
JOB NAME: \_\_\_\_\_  
LOCATION: \_\_\_\_\_

**SERIES 5200 ALL GLASS SLIDING DOORS**  
TYPE: 5208-1, SX-P, R.H. SINGLE  
PAGE 52-2.08



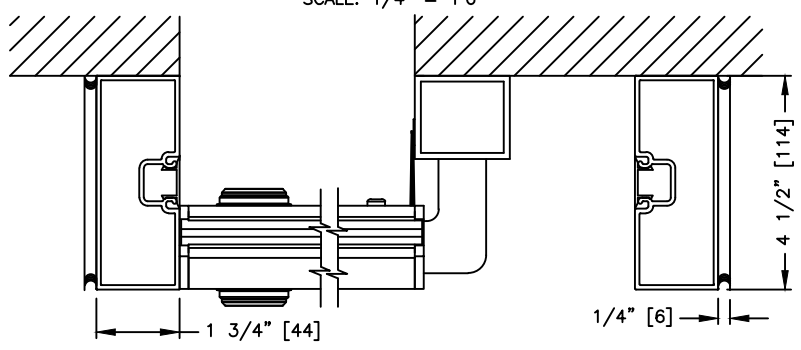
**ELEVATION VIEW**

SCALE: 1/4" = 1'0"



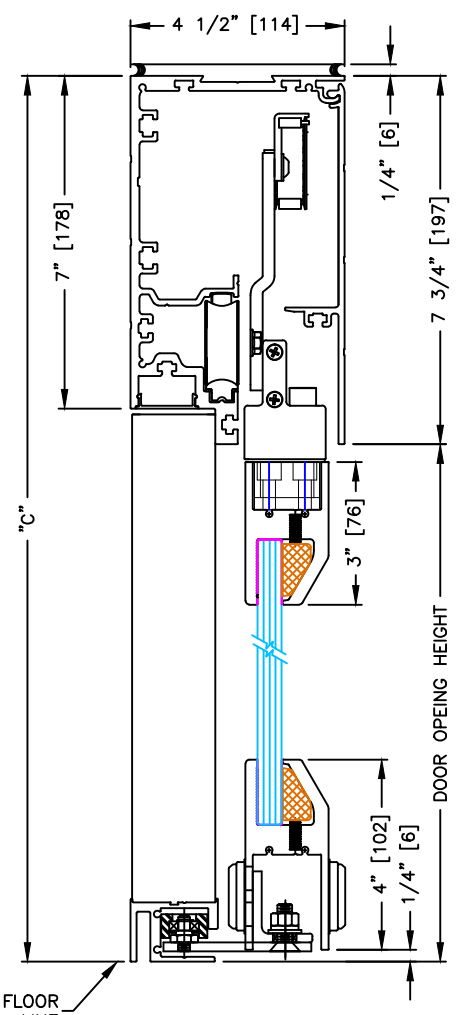
**PLAN VIEW**

SCALE: 1/4" = 1'0"



**SECTION: 1**

SCALE: 1/4 SIZE



**SECTION: 2**

SCALE: 1/4 SIZE

**NOTES:**

- 1. See sheets 51-2.86 thru 51-2.91 for optional transoms, bottom guides & thresholds.

**DIMENSIONS FOR STANDARD PACKAGES**

| DOOR OPENING "A" | STD. PACKAGE WIDTH "B" | STD. PACKAGE HEIGHT "C" | DOOR OPENING HEIGHT W/O THRESHOLD | DOOR OPENING HEIGHT W/ THRESHOLD | MAX OPENING MANUALLY |
|------------------|------------------------|-------------------------|-----------------------------------|----------------------------------|----------------------|
| 36-5/8 (930)     | 84 (2134)              | 91 (2311)               | 83-1/4 (2115)                     | 82-3/4 (2102)                    | 40-1/4 (1022)        |
| 42-5/8 (1083)    | 96 (2538)              | 91 (2311)               | 83-1/4 (2115)                     | 82-3/4 (2102)                    | 46-1/4 (1175)        |
| 45-5/8 (1159)    | 102 (2591)             | 91 (2311)               | 83-1/4 (2115)                     | 82-3/4 (2102)                    | 49-1/4 (1251)        |
| 48-5/8 (1235)    | 108 (2743)             | 91 (2311)               | 83-1/4 (2115)                     | 82-3/4 (2102)                    | 52-1/4 (1327)        |

Masonry opening is 1/4" (6) per side larger and 1/2" taller than package dimensions. Measurements given in inches (millimeters).