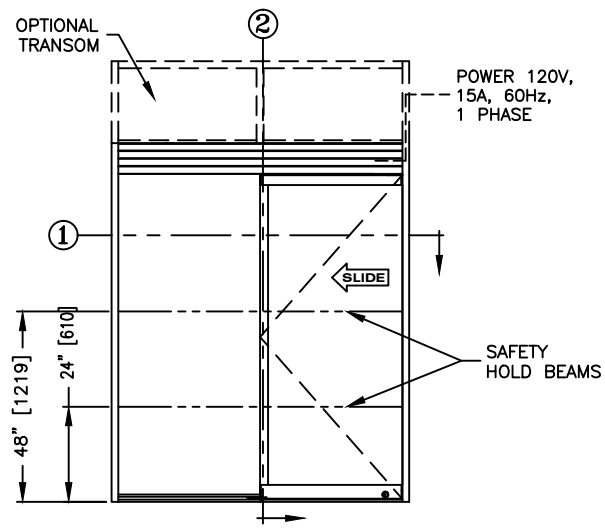




record-usa
 4324 PHIL HARGETT CT.
 MONROE, NC 28110
 (704) 289 - 9212

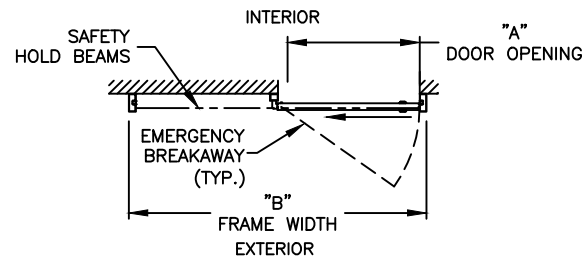
JOB NAME: _____
 LOCATION: _____

SERIES 5200 ALL GLASS SLIDING DOORS
 TYPE: 5207-1, P-SX, L.H. SINGLE
 PAGE 52-2.07



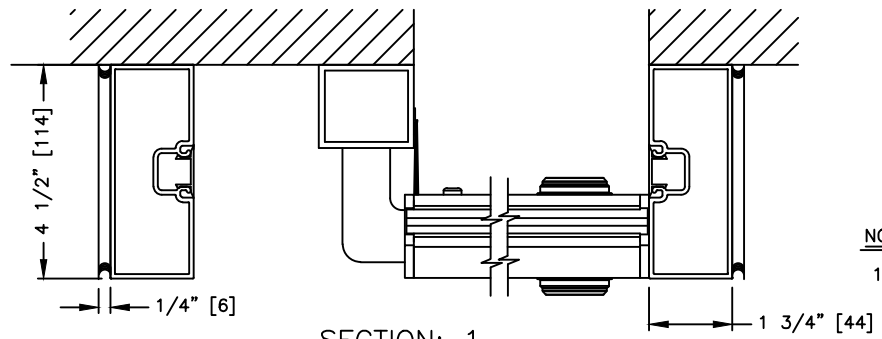
ELEVATION VIEW

SCALE: 1/4" = 1'0"



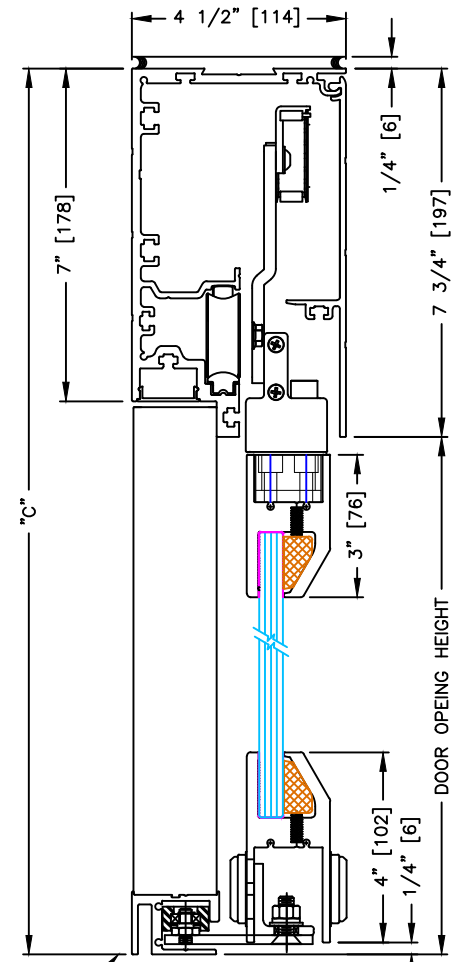
PLAN VIEW

SCALE: 1/4" = 1'0"



SECTION: 1

SCALE: 1/4 SIZE



SECTION: 2

SCALE: 1/4 SIZE

NOTES:

1. See sheets 51-2.86 thru 51-2.91 for optional transoms, bottom guides & thresholds.

DIMENSIONS FOR STANDARD NARROW STILE PACKAGES

DOOR OPENING "A"	STD. PACKAGE WIDTH "B"	STD. PACKAGE HEIGHT "C"	DOOR OPENING HEIGHT W/O THRESHOLD	DOOR OPENING HEIGHT W/ THRESHOLD	MAX OPENING MANUALLY
36-5/8 (930)	84 (2134)	91 (2311)	83-1/4 (2115)	82-3/4 (2102)	40-1/4 (1022)
42-5/8 (1083)	96 (2538)	91 (2311)	83-1/4 (2115)	82-3/4 (2102)	46-1/4 (1175)
45-5/8 (1159)	102 (2591)	91 (2311)	83-1/4 (2115)	82-3/4 (2102)	49-1/4 (1251)
48-5/8 (1235)	108 (2743)	91 (2311)	83-1/4 (2115)	82-3/4 (2102)	52-1/4 (1327)

Masonry opening is 1/4" (6) per side larger and 1/4" taller than package dimensions. Measurements given in inches (millimeters).