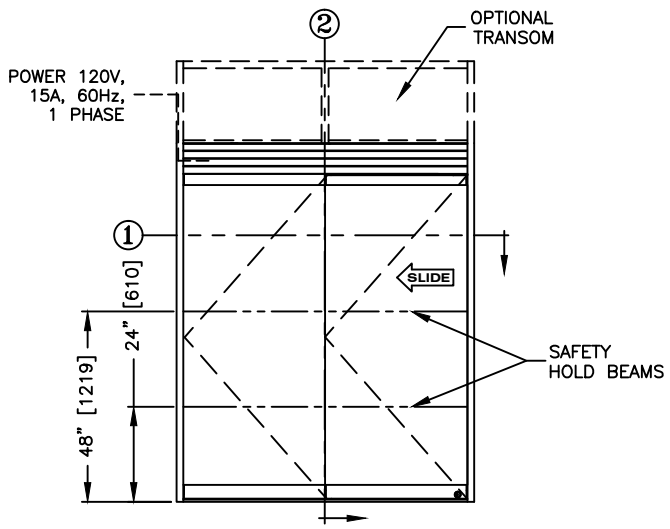




**record-usa**  
 4324 PHIL HARGETT CT.  
 MONROE, NC 28110  
 (704) 289 - 9212

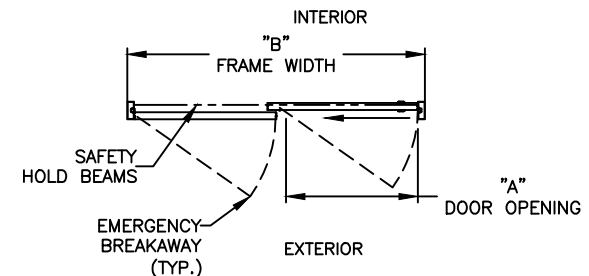
JOB NAME: \_\_\_\_\_  
 LOCATION: \_\_\_\_\_

**SERIES 5200 ALL GLASS SLIDING DOORS**  
 TYPE: 5204-1, SO-SX, L.H. SINGLE  
 PAGE 52-2.04



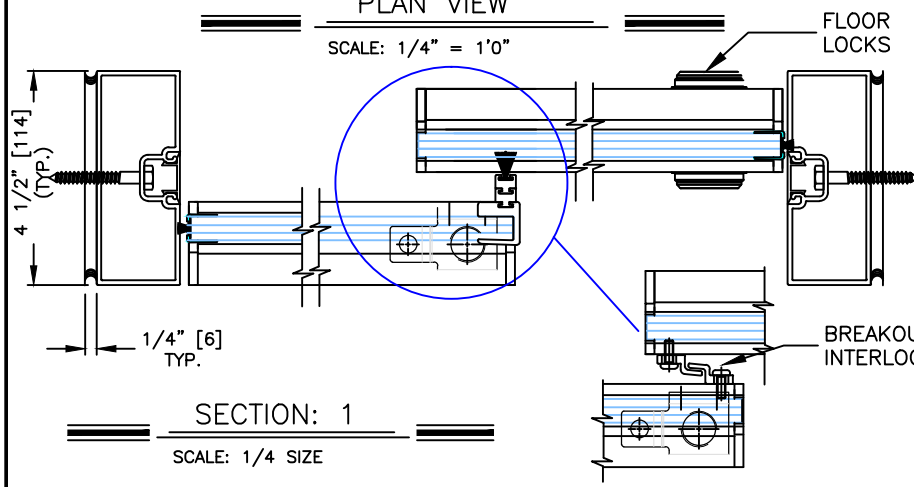
**ELEVATION VIEW**

SCALE: 1/4" = 1'0"



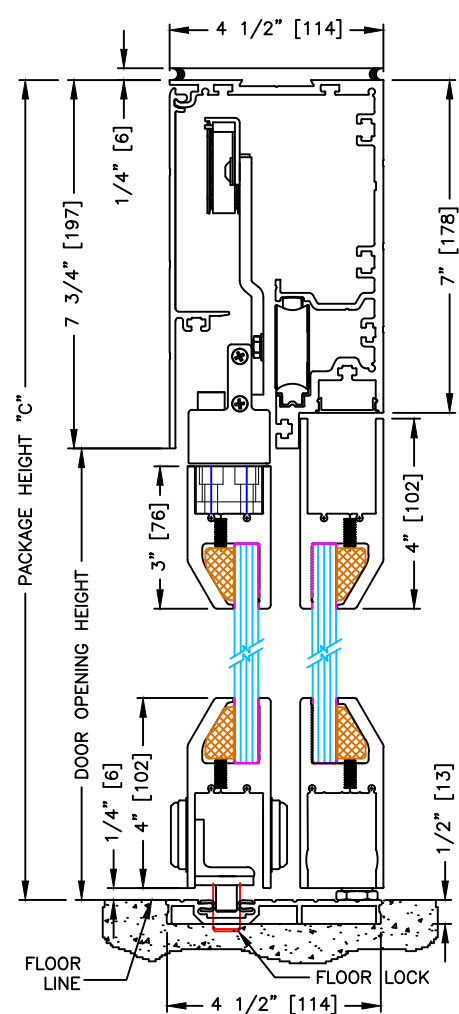
**PLAN VIEW**

SCALE: 1/4" = 1'0"



**SECTION: 1**

SCALE: 1/4 SIZE



**SECTION: 2**

SCALE: 1/4 SIZE

**NOTES:**

1. See sheets 51-2.86 thru 51-2.91 for optional transoms, bottom guides & thresholds.

**DIMENSIONS FOR STANDARD PACKAGES**

DOOR OPENING "A"	STD. PACKAGE WIDTH "B"	STD. PACKAGE HEIGHT "C" W OR W/O THRESHOLD	DOOR OPENING HEIGHT W/RECESSED THRESHOLD	DOOR OPENING HEIGHT W/ THRESHOLD	MAX OPENING MANUALLY
36-5/8	84 (2134)	91 (2311)	83-1/4 (2115)	82-3/4 (2102)	76-3/32 (1933)
42-5/8	96 (2538)	91 (2311)	83-1/4 (2115)	82-3/4 (2102)	88-3/32 (2238)
45-5/8	102 (2591)	91 (2311)	83-1/4 (2115)	82-3/4 (2102)	94-3/32 (2390)
48-5/8	108 (2743)	91 (2311)	83-1/4 (2115)	82-3/4 (2102)	100-3/32 (2542)

Masonry opening is 1/4" (6) per side larger and 1/4" taller than package dimensions. Measurements given in inches (millimeters).