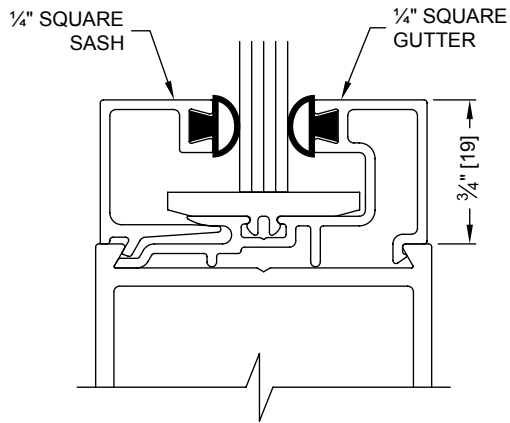




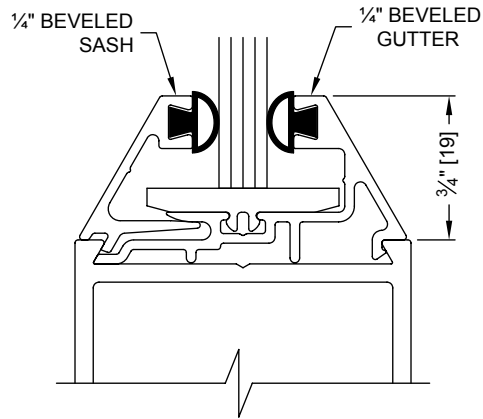
record-usa
 4324 PHIL HARGETT CT.
 MONROE, NC 28110
 (704) 289-9212

AUTOMATIC FOLDING DOOR SYSTEM

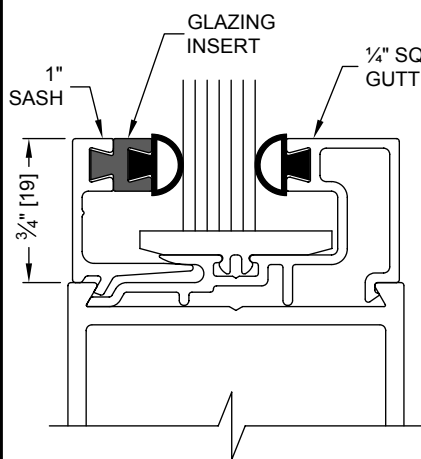
GLAZING VARIATION DETAILS



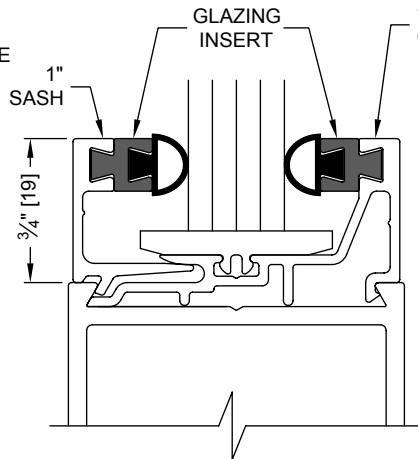
1/4" [6] GLAZING
(STANDARD)



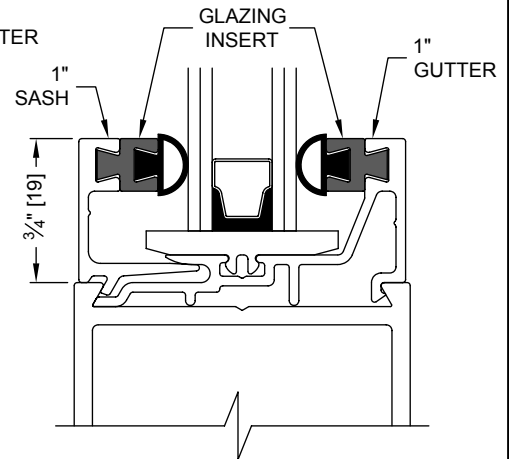
OPTIONAL 1/4" [6] BEVELED
SASH & GUTTER
(HORIZONTALS ONLY)



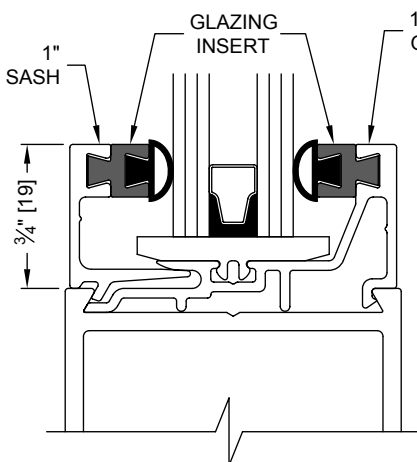
3/8" [9.5] GLAZING



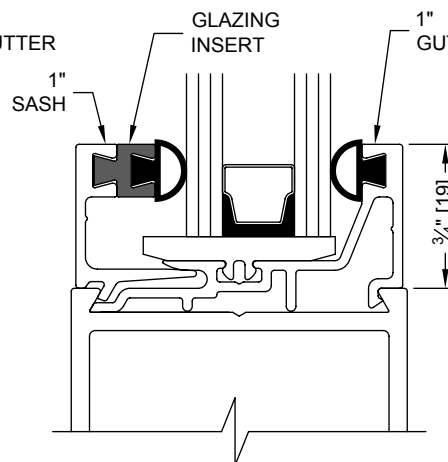
1/2" [13] GLAZING



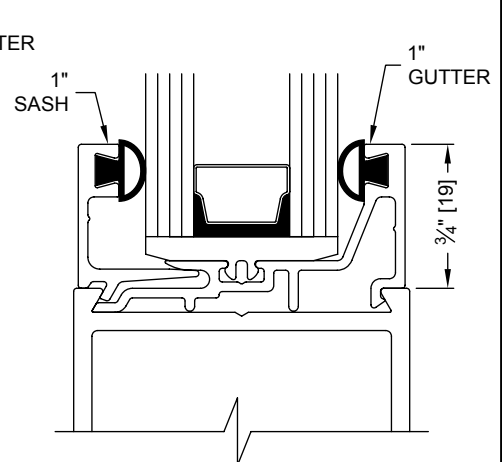
9/16" [14] GLAZING



5/8" [16] GLAZING



3/4" [19] GLAZING



1" [25] GLAZING

**SASH, GUTTER & GLAZING INSERT COMBINATIONS
FOR VARIOUS GLAZING THICKNESSES**

SCALE: FULL SIZE