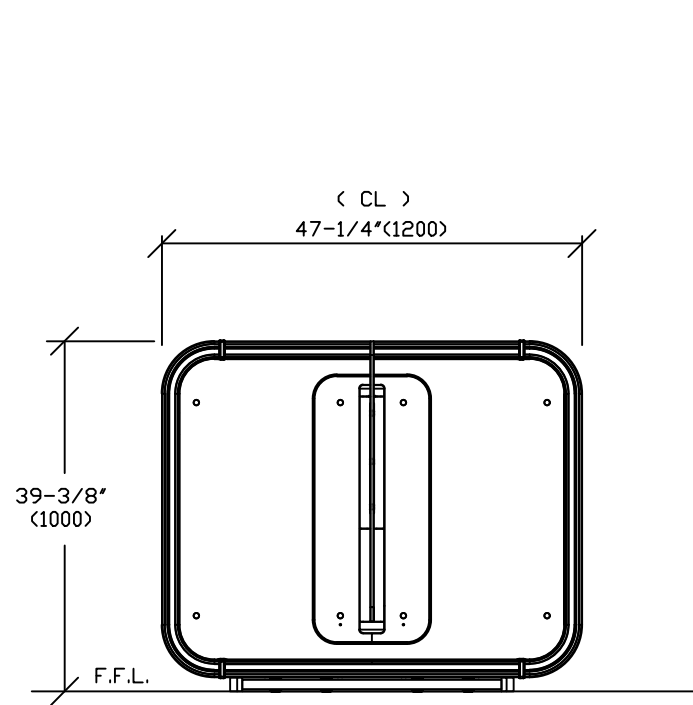
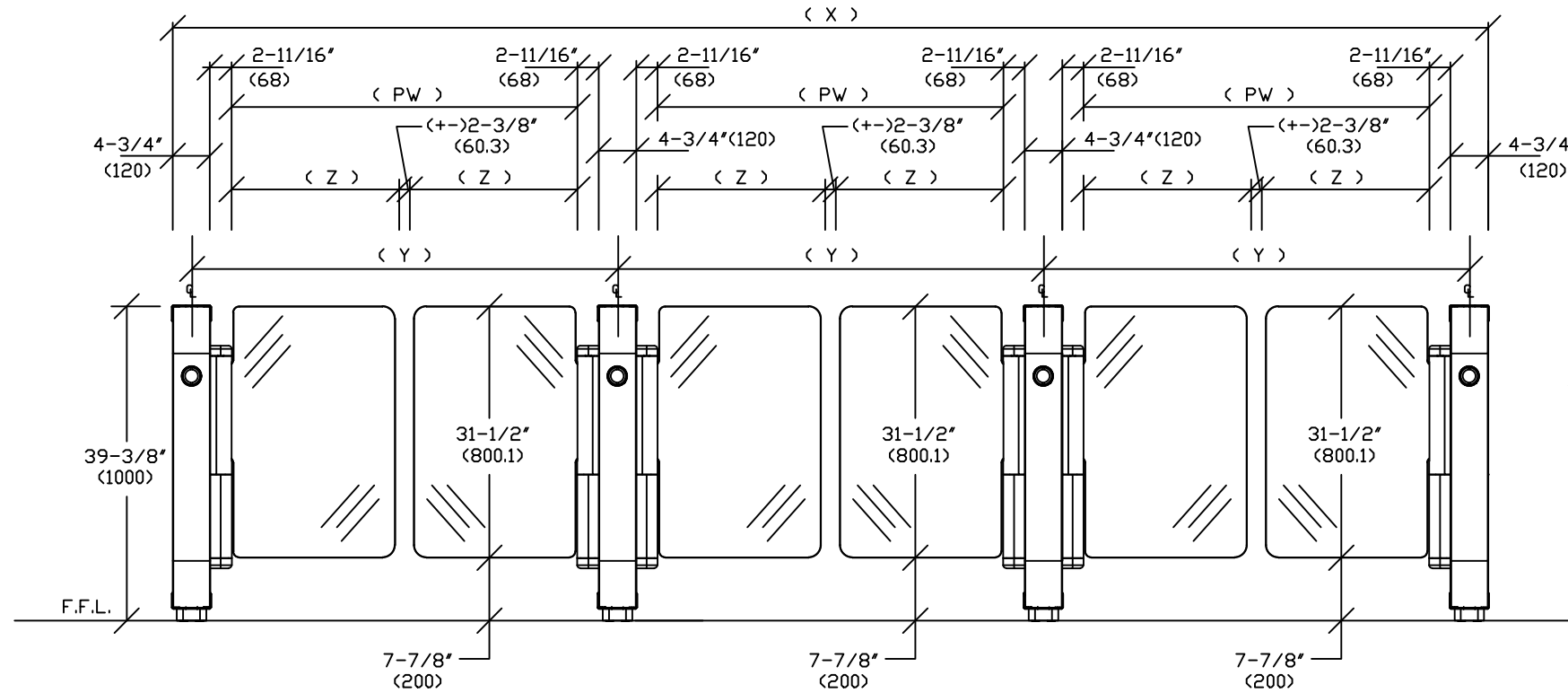


RECORD IMPRESSION-3-47
AUTOMATIC SPEED GATE

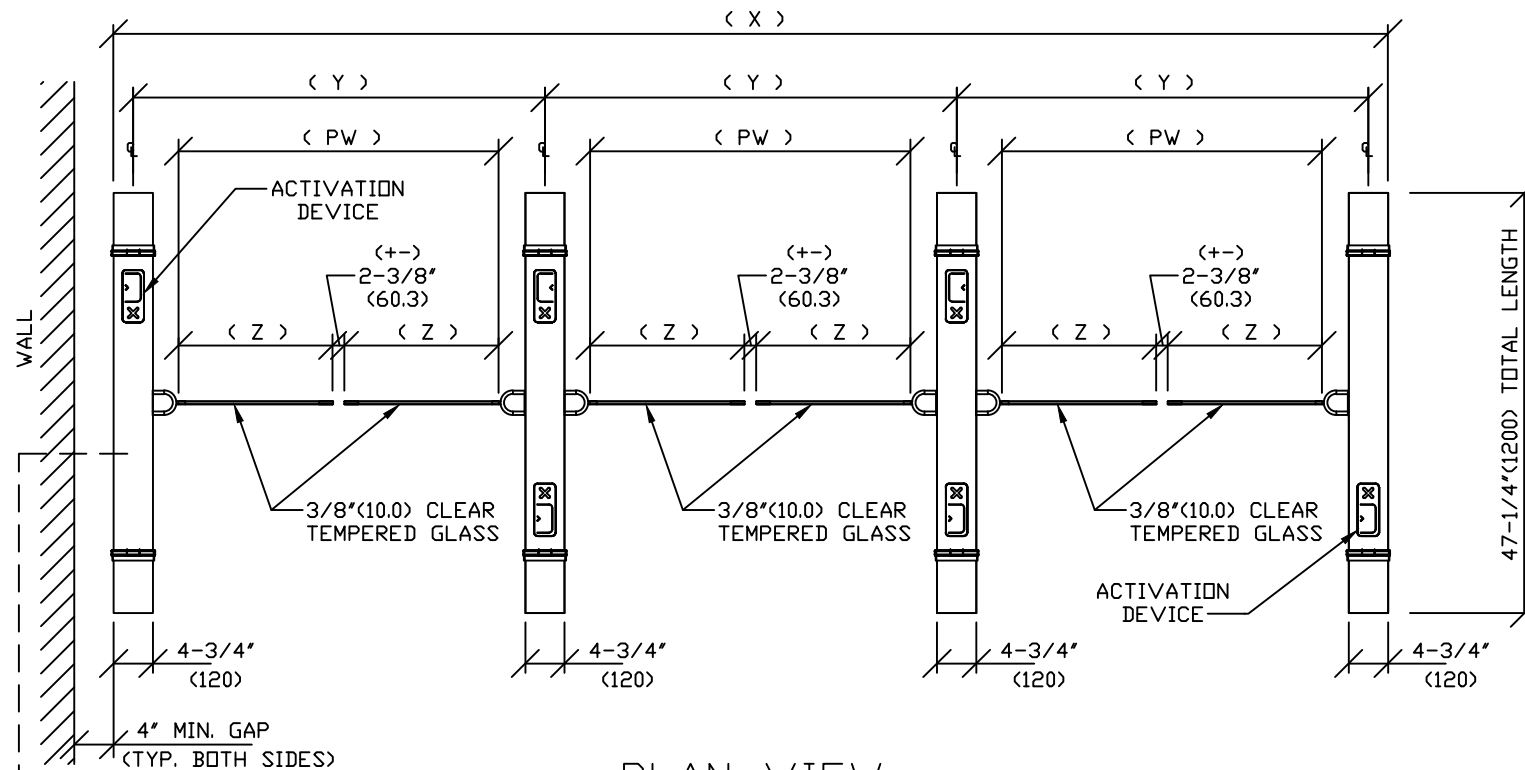
NOTE: MAX 5 LANES.



SIDE VIEW



FRONT VIEW
3 LANE



PLAN VIEW

NOTE: CUSTOM UNIT WIDTH & CLEAR OPENING, CONSULT FACTORY.

| CABINET LENGTH (CL) | UNIT WIDTH (X) | CENTER (Y) | CLEAR OPENING (PW) | GLASS WINGS (Z) |
|-----------------------|-------------------|-----------------|----------------------|-------------------|
| 47-1/4" (1200) | 105-13/16" (2698) | 33-11/16" (856) | 23-5/8" (600) | 10-5/8" (269.8) |
| | 118-15/16" (3021) | 38-1/16" (967) | 28" (711) | 12-13/16" (325) |
| | 142-15/16" (3630) | 46-1/16" (1170) | 36" (914) | 16-3/16" (411.1) |
| | 164-7/8" (4188) | 53-3/8" (1356) | 43-5/16" (1100) | 20-1/2" (4520.7) |

DIMENSIONS ARE IN INCHES [mm]

THE RECORD IMPRESSION SPEEDGATE IS INTENDED EXCLUSIVELY FOR PEDESTRIAN PASSAGE AND INDOOR USE ONLY.

NOTES

- CABINET TYPES: OPEN / CENTER GLASS / BOXED.
- STANDARD EQUIPMENT: CABINET, CLEAR GLASS LEAFS, SAFETY SENSORS, DRIVE UNIT, LED LIGHT BAND AND LED PICTOGRAM.
- ACTIVATION: CARD READER, BIOMETRIC READER OR ANY OTHER ACCESS CONTROL TYPE (ACTIVATION BY OTHERS).
- POWER INPUT: 110vac 240vac0-50/60 Hz.
- FINISHES: RAL POWDER COATINGS, AXALTA POWDER COATINGS.
- ACCESSORIES:
 - RAISED FLOOR MOUNTING PLATFORM.
 - MANUAL PUSH BUTTON CONTROLLER.
- GLASS HEIGHTS: AVAILABLE IN 31-1/2"(800.1), 39-3/8"(1000.1) & 63"(1600.2)

DWG NO: IMPRESS-3-47G
 DRN BY DDD DATE 07/19/2024 CHK BY DATE REV. G DATE 01/28/25



JOB NAME: _____

110-240 VAC
ELECTRICAL -BY OTHERS