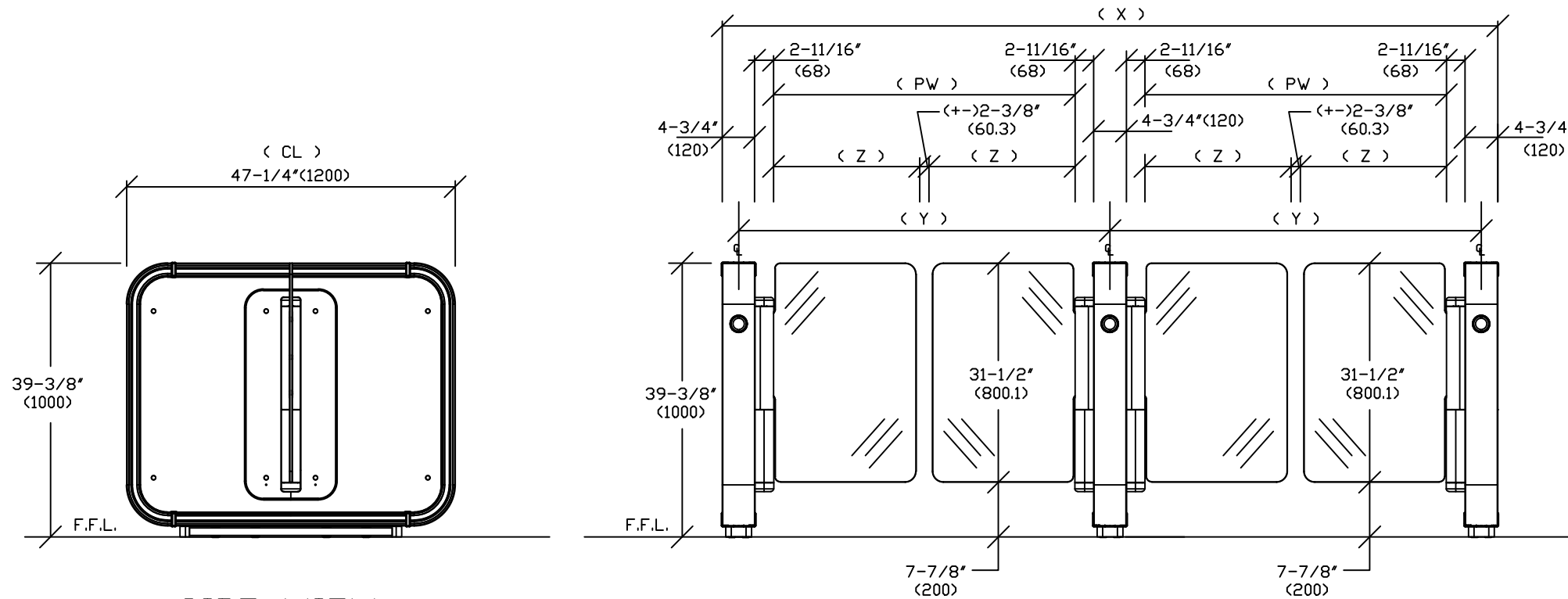


**RECORD IMPRESSION-2-47**  
AUTOMATIC SPEED GATE

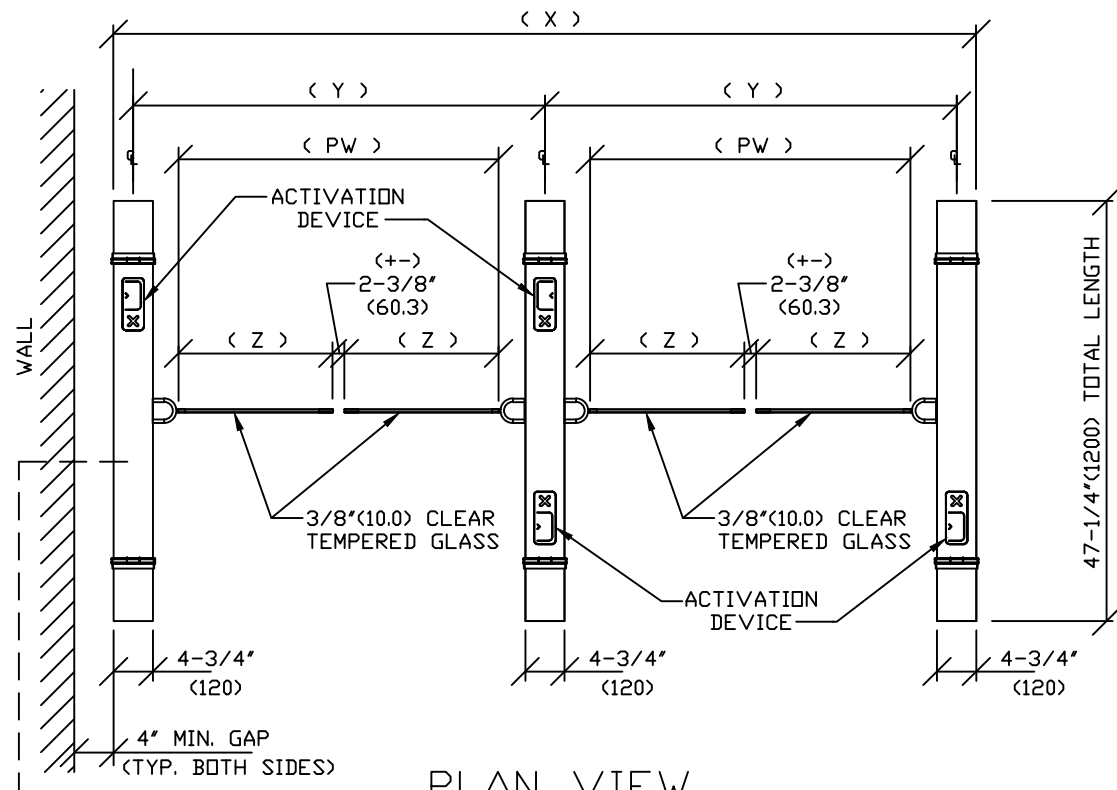
NOTE: MAX 5 LANES.



← LOW GLASS = SHOWN  
MID GLASS & HIGH GLASS = OPTIONAL

SIDE VIEW

FRONT VIEW  
2 LANE



PLAN VIEW

NOTE: CUSTOM UNIT WIDTH & CLEAR OPENING, CONSULT FACTORY.

CABINET LENGTH ( CL )	UNIT WIDTH ( X )	CENTER ( Y )	CLEAR OPENING ( PW )	GLASS WINGS ( Z )
47-1/4" (1200)	72-1/8" (1832)	33-11/16" (856)	23-5/8" (600)	10-5/8" (269.8)
	80-7/8" (2054)	38-1/16" (967)	28" (711)	12-13/16" (325)
	96-7/8" (2460)	46-1/16" (1170)	36" (914)	16-3/16" (411.1)
	111-1/2" (2832)	53-3/8" (1356)	43-5/16" (1100)	20-1/2" (4520.7)

DIMENSIONS ARE IN INCHES [mm]

THE RECORD IMPRESSION SPEEDGATE IS INTENDED EXCLUSIVELY FOR PEDESTRIAN PASSAGE AND INDOOR USE ONLY.

**NOTES**

- CABINET TYPES: OPEN / CENTER GLASS / BOXED.
- STANDARD EQUIPMENT: CABINET, CLEAR GLASS LEAFS, SAFETY SENSORS, DRIVE UNIT, LED LIGHT BAND AND LED PICTOGRAM.
- ACTIVATION: CARD READER, BIOMETRIC READER OR ANY OTHER ACCESS CONTROL TYPE (ACTIVATION BY OTHERS).
- POWER INPUT: 110vac 240vac0-50/60 Hz.
- FINISHES: RAL POWDER COATINGS, AXALTA POWDER COATINGS.
- ACCESSORIES:
  - RAISED FLOOR MOUNTING PLATFORM.
  - MANUAL PUSH BUTTON CONTROLLER.
- GLASS HEIGHTS: AVAILABLE IN 31-1/2"(800.1), 39-3/8"(1000.1) & 63"(1600.2)

DWG NO: IMPRESS-2-47G  
 DRN BY DDD DATE 07/19/2024 CHK BY DATE REV. G DATE 01/28/25

110-240 VAC  
ELECTRICAL -BY OTHERS



JOB NAME: \_\_\_\_\_