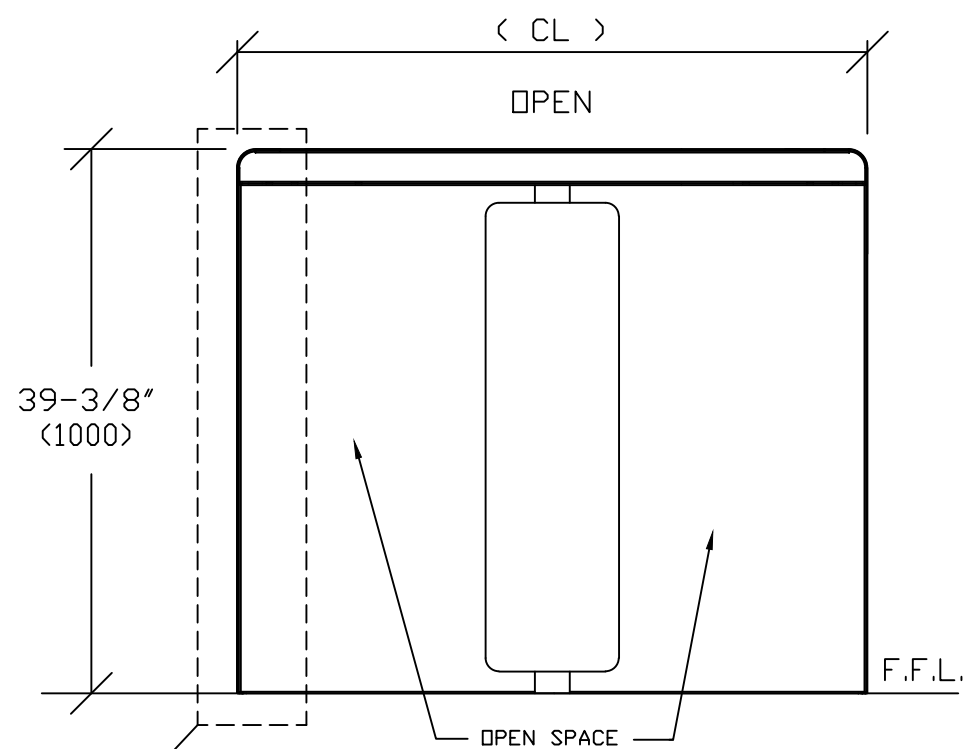
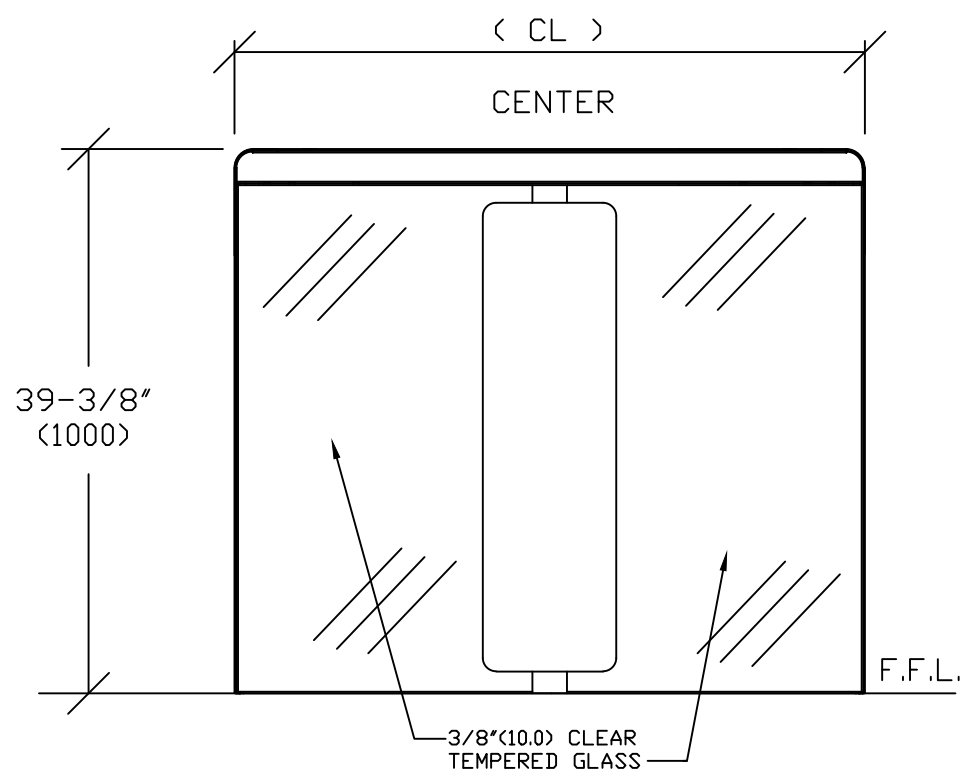


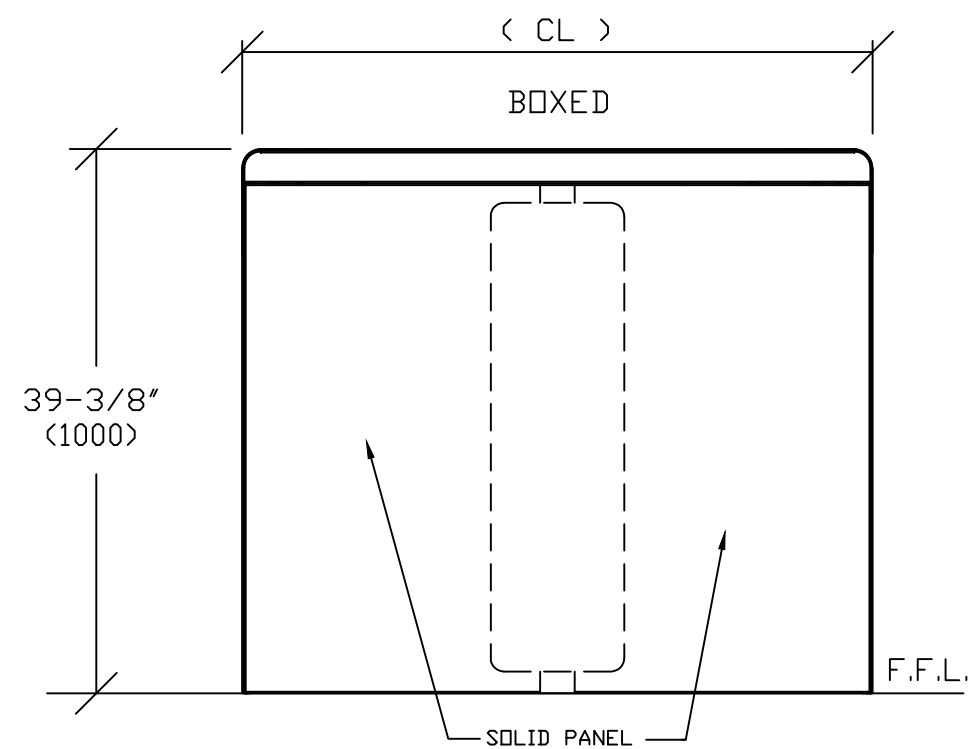
**RECORD IMPRESSION-CABINET**  
AUTOMATIC SPEED GATE



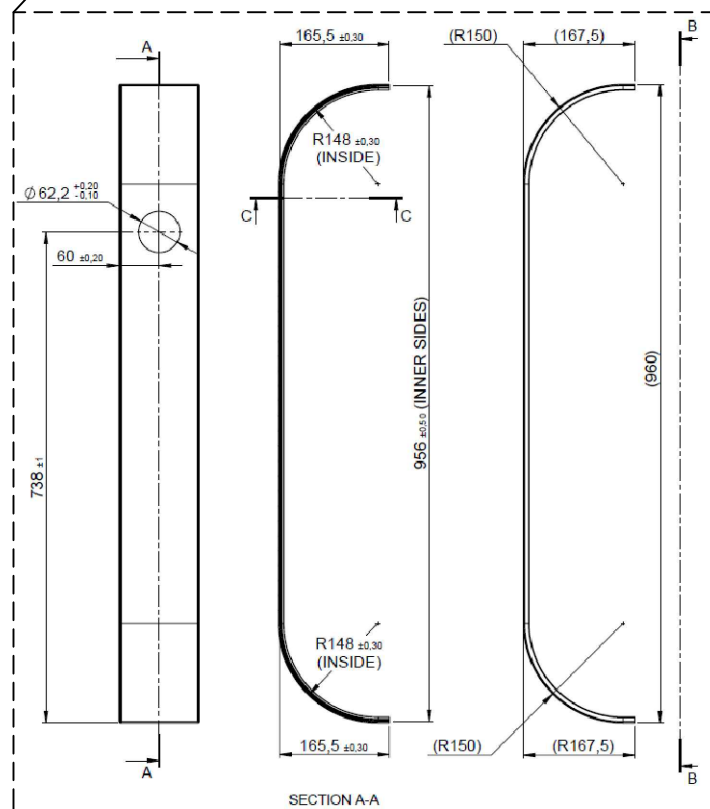
SIDE VIEW  
OPEN VERSION



SIDE VIEW  
CENTER GLASS VERSION



SIDE VIEW  
BOXED VERSION



CABINET LENGTH	UNIT DEPTH ( CL )
47-1/4" (1200)	47-1/4" (1200)
57-1/8" (1450)	57-1/8" (1450)
66-15/16" (1700)	66-15/16" (1700)

DWG NO. IMPRESS-CABINET-G				
DRN BY DDD	DATE 07/19/2024	CHK BY	DATE	REV. G DATE 01/28/25



JOB NAME: