

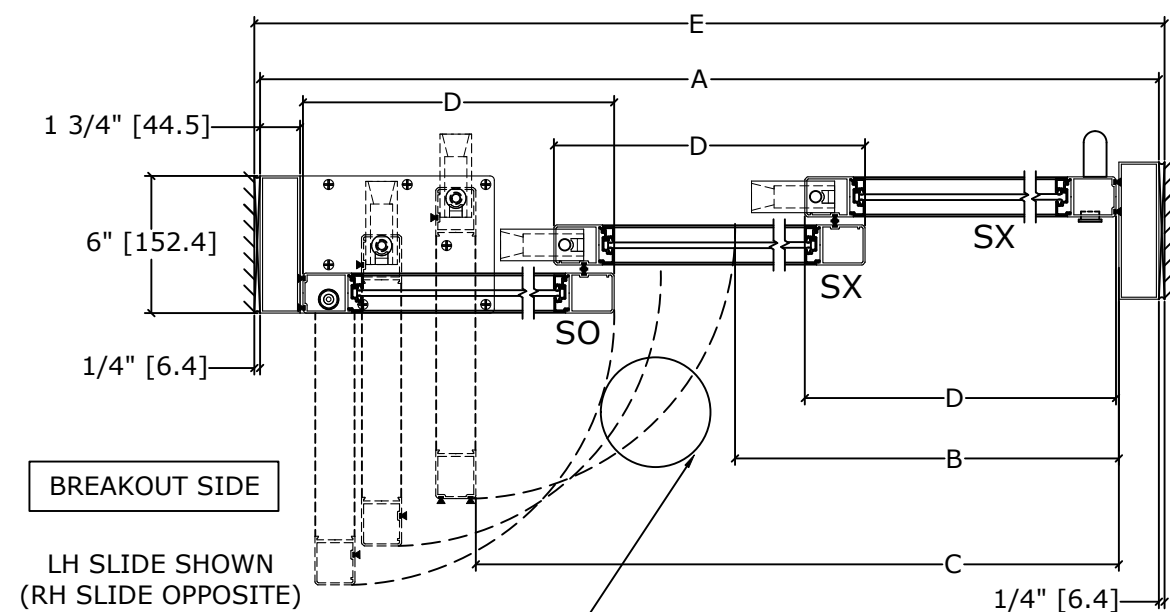
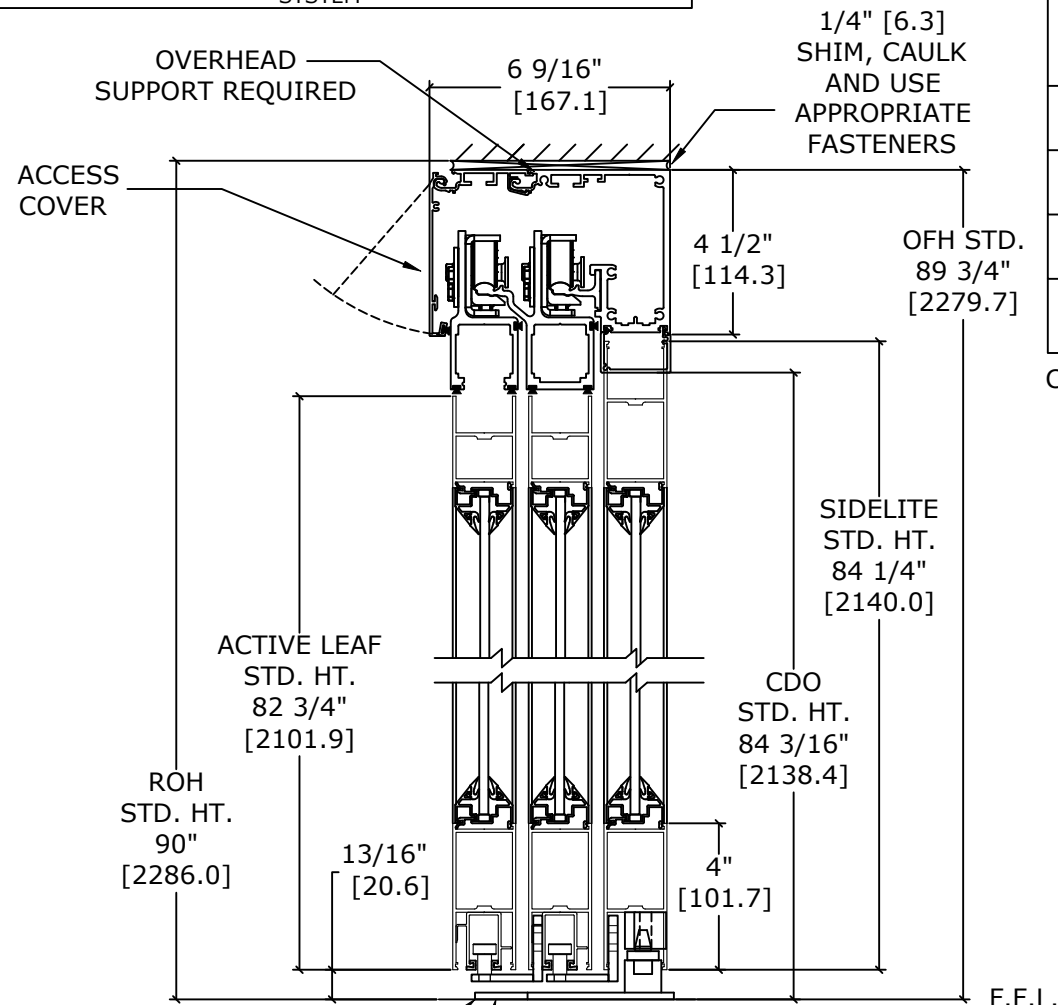
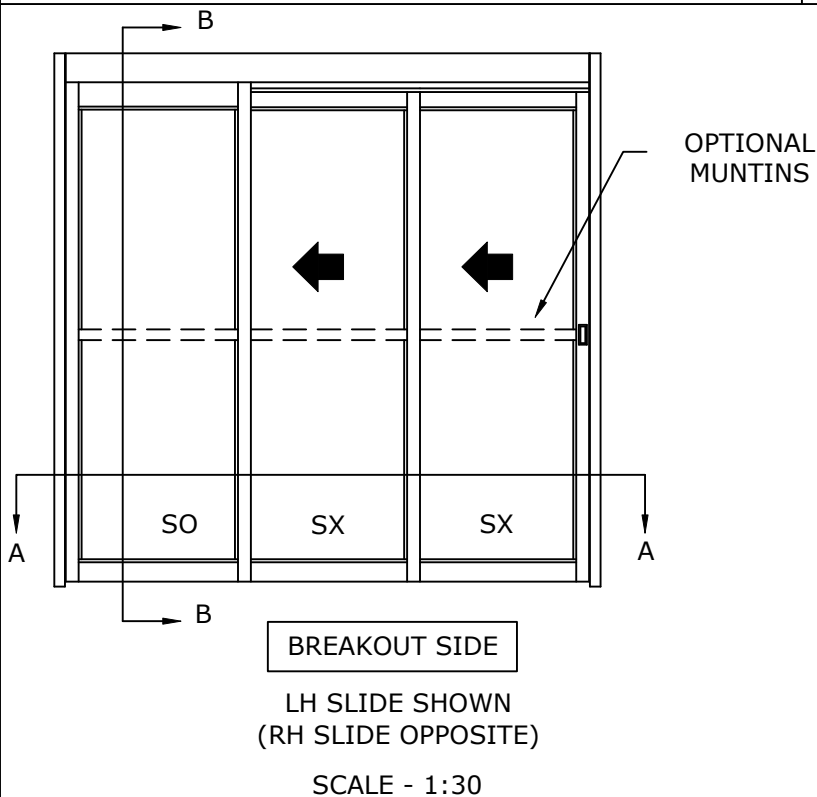
DS-10-3-TFB

OVERHEAD CONCEALED FULL BREAKOUT TRACKLESS
 NARROW STILE TELESCOPIC EQUAL PANEL SLIDING MANUAL DOOR
 SYSTEM

DIMENSIONS FOR 1/4" [6.4] GLASS

MODEL NO.	OVERALL FRAME WIDTH (A)	CLEAR DOOR OPENING (B)	BREAKOUT OPENING (C)	ACTIVE & SIDELITE LEAF WIDTH (D)	ROUGH OPENING WIDTH (E)
DS10T3FBO-8	96" [2438.4]	53 3/4" [1365.3]	82 1/2" [2095.5]	32 1/2" [825.5]	96 1/2" [2451.1]
DS10T3FBO-10	120" [3048.0]	69 3/4" [1771.7]	106 1/2" [2705.1]	40 1/2" [1028.7]	120 1/2" [3060.7]
DS10T3FBO-12	144" [3657.6]	85 3/4" [2178.1]	130 1/2" [3314.7]	48 1/2" [1231.9]	144 1/2" [3670.3]
KEY:		(2*A/3)-10 1/4" (2*A/3)-[260.4]	A-13 1/2" A-[342.9]	(A/3)+ 1/2" (A/3)+[12.7]	A+1/2" A+[12.7]

CONSULT FACTORY FOR ALL CUSTOM CONFIGURATION SIZES OR SIZES OVER 12'.



NOTES:

STANDARD PACKAGE CONSISTS OF:

- STANDARD FINISH: CLASS 1, .018MM, CLEAR- AA-M12C22A41
- NARROW STILE RAILS
- 1/4" GLASS STOPS AND BLOCKS
- PULL HANDLE(S) AND RECESSED FINGER PULL(S)
- NURSE ASSIST MAGNETIC CATCHES
- FULL OPENING DAMPENING DEVICE
- CONCEALED SWEEPS

FINISHED FLOOR MUST NOT BE CONCAVE ACROSS THE CLEAR DOOR OPENING AND NOT OUT OF LEVEL MORE THAN 1/8".

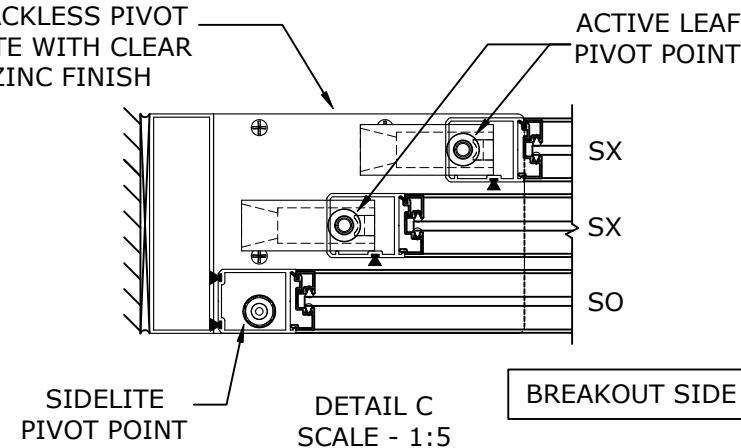
OPTIONS AVAILABLE:

- SPECIAL FINISHES
- PACKAGE WILL ACCEPT , 5/8" [15.9], 1" [25.4] & 1 1/4" [31.8] GLASS
- 7" & 10" BOTTOM RAILS
- 1" WIDE JAMBS
- MUNTINS
- SELF CLOSING
- MAGNETIC HOLD OPEN
- AL DAMPENER
- ANTI-STATIC
- CENTERING WHEEL
- TRACK PACKAGE
- FULL CLOSING DAMPENING DEVICE

SECTION B-B
SCALE - 1:5

SECTION A-A
SCALE - 1:8

ALL STEEL CONSTRUCTION TRACKLESS PIVOT PLATE WITH CLEAR ZINC FINISH



DOORS WILL ONLY BREAK OUT WHEN IN THE FULLY OPEN POSITION.

REFER TO RELEVANT [LOCAL, STATE, NATIONAL, OR AHJ] BUILDING CODE FOR MIN DOOR HEIGHT & MIN/MAX WIDTH ALLOWABLE FOR EGRESS REQUIREMENT IN CONJUNCTION WITH TABLE.

DWG NO. _____

DRN BY	SS	DATE	8/27/20	CHK BY		DATE		REV.	0.4	DATE	07/12/22
--------	----	------	---------	--------	--	------	--	------	-----	------	----------

SECTION NO. DS10 SHEET NO. 4

record

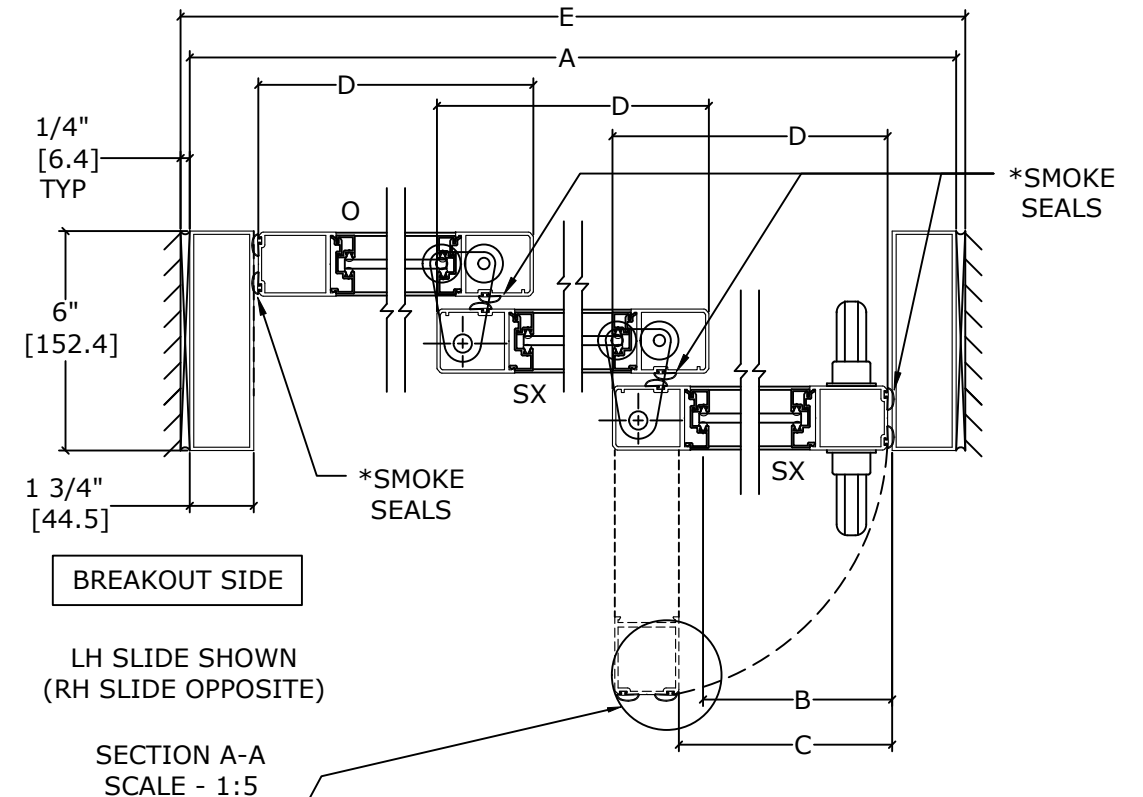
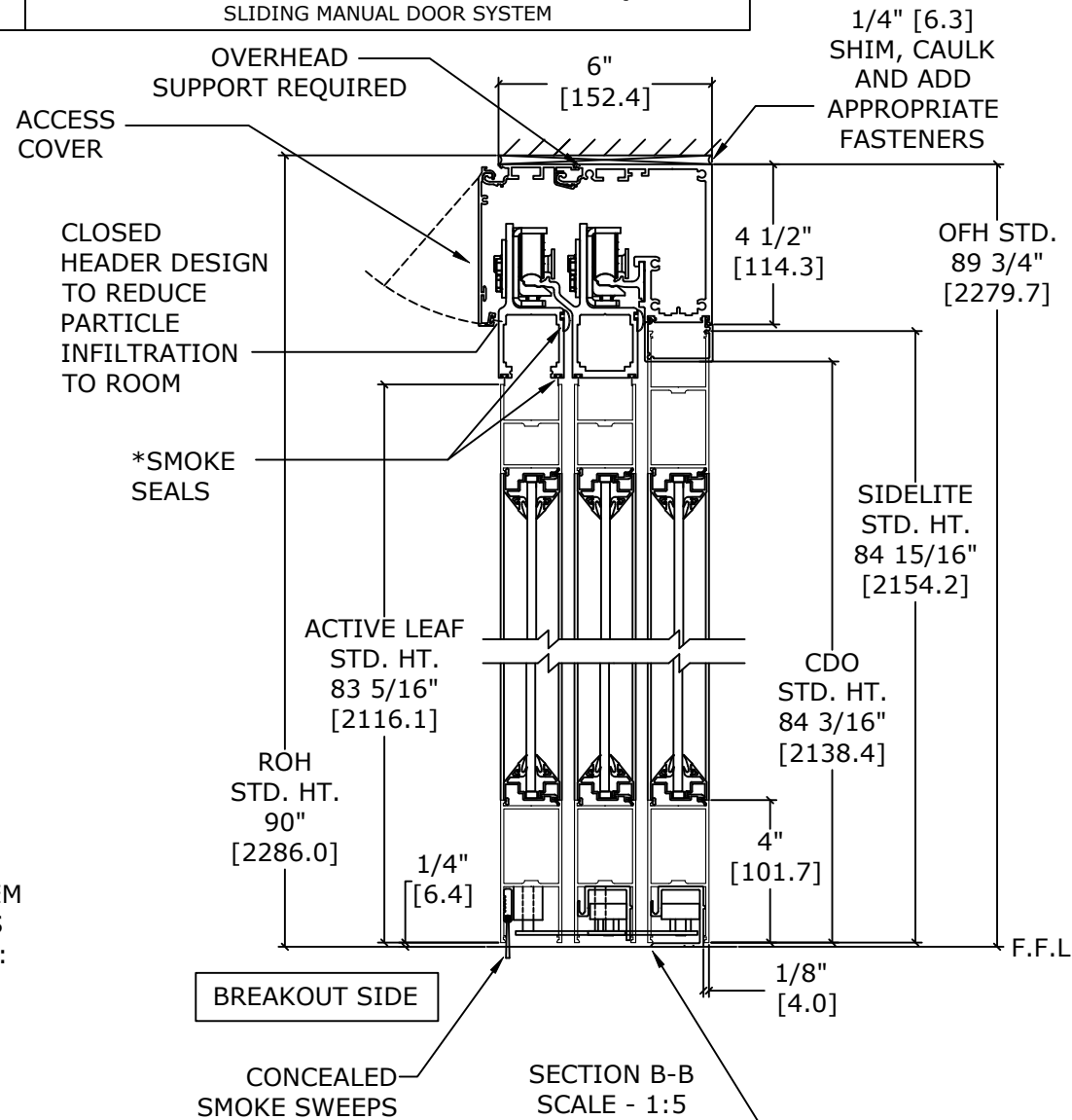
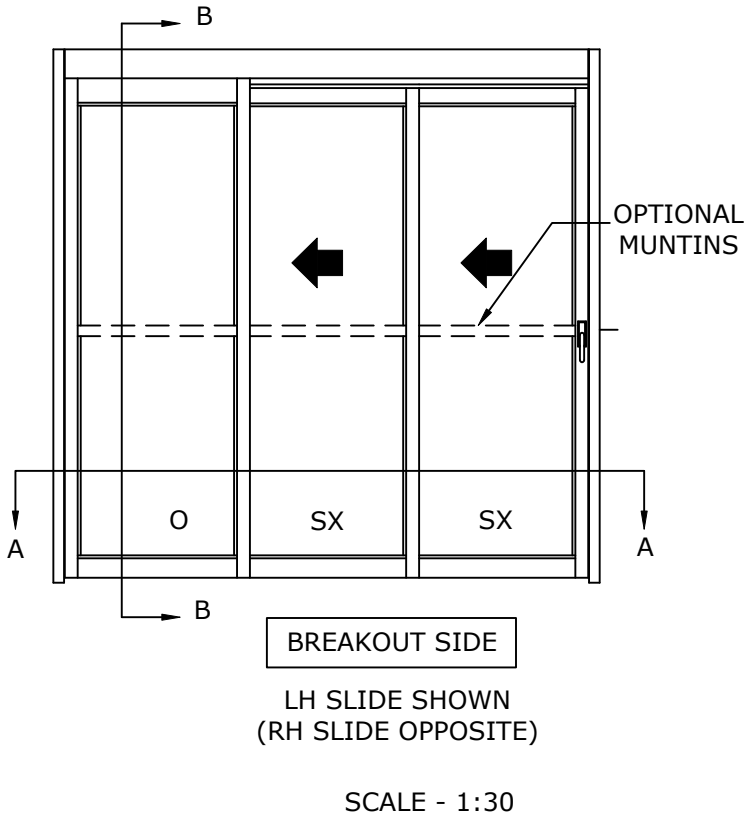
DS-10-3-TFL-SR

OVERHEAD CONCEALED FIXED SIDELITE TRACKLESS SINGLE SLIDE
 UL1784 SMOKE CERTIFIED NARROW STILE TELESCOPIC EQUAL PANEL
 SLIDING MANUAL DOOR SYSTEM

DIMENSIONS FOR 1/4" [6.4] GLASS

MODEL NO.	OVERALL FRAME WIDTH (A)	CLEAR DOOR OPENING (B)	BREAKOUT OPENING (C)	ACTIVE & SIDELITE LEAF WIDTH (D)	ROUGH OPENING WIDTH (E)
DS10T3FSLT-8	96" [2438.4]	53 3/4" [1365.3]	56 1/4" [1428.8]	32 1/2" [825.5]	96 1/2" [2451.1]
DS10T3FSLT-10	120" [3048.0]	69 3/4" [1771.7]	72 1/4" [1835.2]	40 1/2" [1028.7]	120 1/2" [3060.7]
DS10T3FSLT-12	144" [3657.6]	85 3/4" [2178.1]	88 1/4" [2241.6]	48 1/2" [1231.9]	144 1/2" [3670.3]
KEY:		(2*A/3)-10 1/4" (2*A/3)-[260.4]	(2*A/3)- 7 3/4" (2*A/3)-[196.9]	(A/3)+ 1/2" (A/3)+[12.7]	A+1/2" A+[12.7]

CONSULT FACTORY FOR ALL CUSTOM CONFIGURATION SIZES OR SIZES OVER 12".



* SEALS: FACTORY APPLIED SEALS USED ON THIS SYSTEM TO SLOW OR RESTRICT PASSAGE OF SMOKE COMPLIES TO ONE OR MORE OF THE FOLLOWING REQUIREMENTS: UL1784, ANSI/NFPA105 2007, UBC7-2, PART11, B5476, UL10B, UL10C, UBC7-2 PART 1 & B5476.

NOTES:

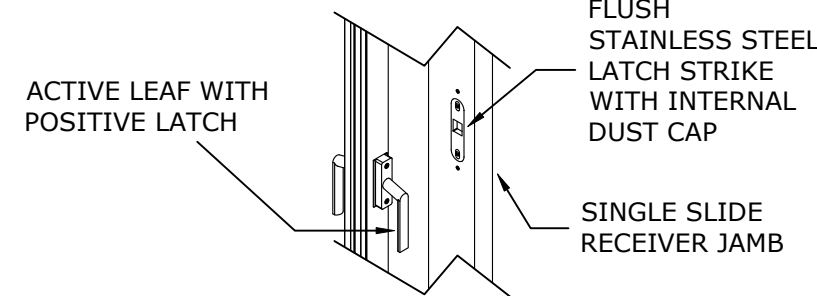
- STANDARD PACKAGE CONSISTS OF:
- STANDARD FINISH: CLASS 1, .018MM, CLEAR- AA-M12C22A41
 - NARROW STILE RAILS
 - 1/4" GLASS STOPS AND BLOCKS
 - NURSE ASSIST MAGNETIC CATCHES
 - POSITIVE LATCHING
 - CONCEALED SWEEPS
 - SMOKE RATED SEALS

- OPTIONS AVAILABLE:
- SPECIAL FINISHES
 - PACKAGE WILL ACCEPT, 5/8" [15.9], 1" [25.4] & 1 1/4" [31.8] GLASS
 - 7" & 10" BOTTOM RAILS
 - 1" WIDE JAMBS
 - MUNTINS
 - SELF-CLOSING
 - MAGNETIC HOLD OPEN
 - AL DAMPENER
 - ANTI-STATIC
 - CENTERING WHEEL
 - TRACK PACKAGE
 - FULL CLOSING DAMPENING DEVICE

FINISHED FLOOR MUST NOT BE CONCAVE ACROSS THE CLEAR DOOR OPENING AND NOT OUT OF LEVEL MORE THAN 1/8".

DOORS WILL BREAK OUT IN ANY POSITION
 FINISHED FLOOR MUST NOT BE AN INCREASE IN ELEVATION THROUGH BREAKOUT DOOR(S) PATH

REFER TO RELEVANT [LOCAL, STATE, NATIONAL, OR AHJ] BUILDING CODE FOR MIN DOOR HEIGHT & MIN/MAX WIDTH ALLOWABLE FOR EGRESS REQUIREMENT IN CONJUNCTION WITH TABLE.



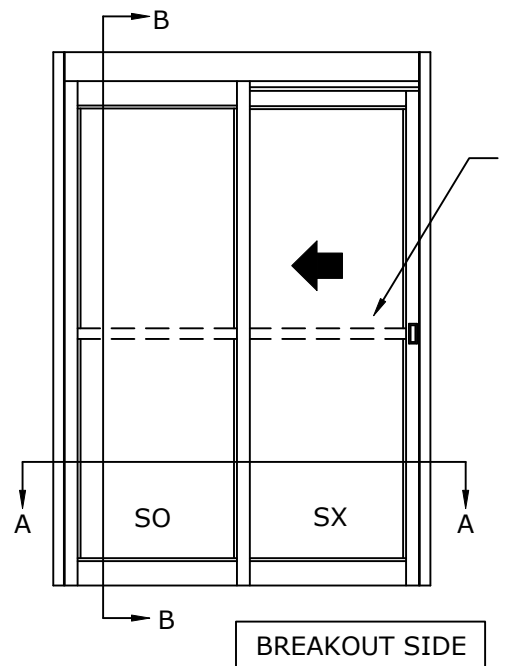
DWG NO.					
DRN BY	SS	DATE	8/27/20	CHK BY	DATE
				REV. 0.3	DATE 07/12/22
SECTION NO.				SHEET NO.	
DS10				10	

DS-10-1-FB
 OVERHEAD CONCEALED FULL BREAKOUT TRACKLESS
 NARROW STILE SINGLE SLIDE MANUAL DOOR SYSTEM

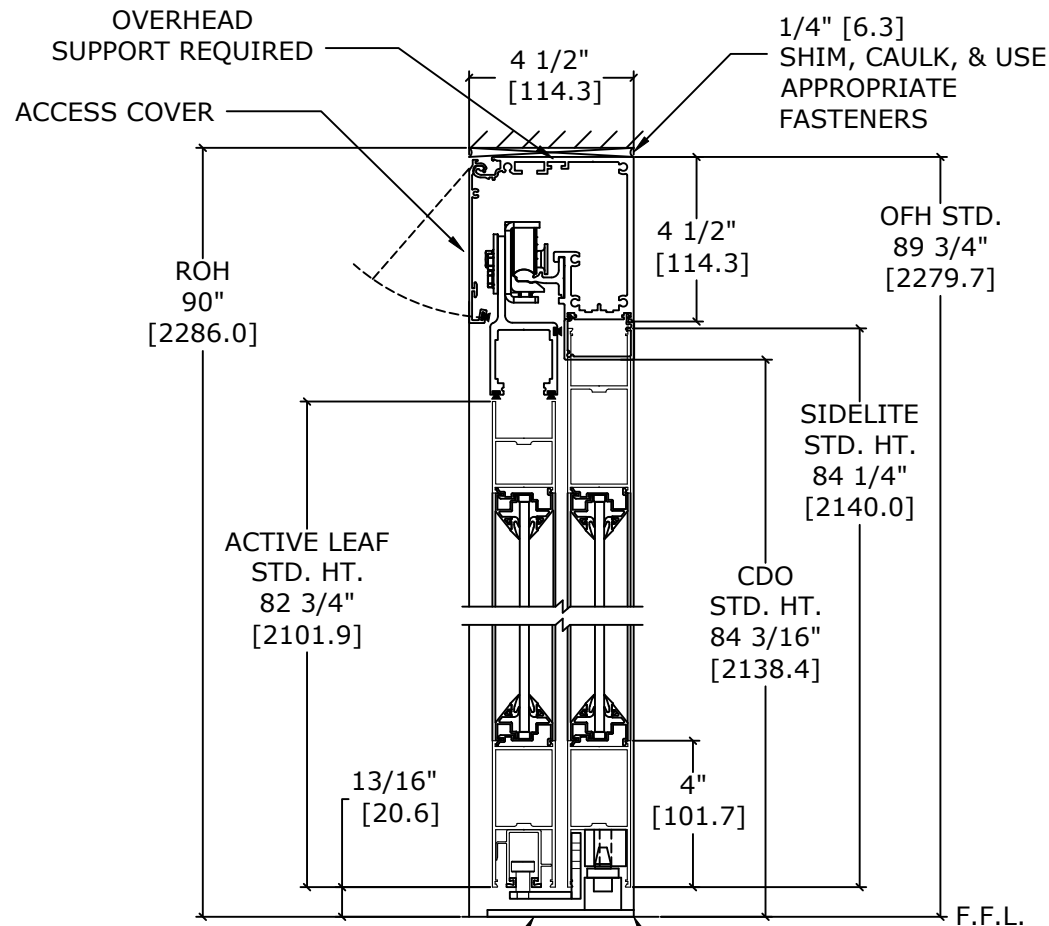
DIMENSIONS FOR 1/4" [6.4] GLASS

MODEL NO.	OVERALL FRAME WIDTH (A)	CLEAR DOOR OPENING WIDTH (B)	BREAKOUT OPENING (C)	ACTIVE & SIDELITE LEAF WIDTH (D)	ROUGH OPENING WIDTH (E)
DS10S2FBO-7	84" [2133.6]	35 9/16" [903.3]	73 1/4" [1860.5]	41 7/16" [1052.1]	84 1/2" [2146.3]
DS10S2FBO-8	96" [2438.4]	① 41 9/16" [1055.7]	85 1/4" [2165.3]	47 7/16" [1204.5]	96 1/2" [2451.1]
DS10S2FBO-8-6	102" [2590.8]	② 44 9/16" [1131.9]	91 1/4" [2317.7]	50 7/16" [1280.7]	102 1/2" [2603.5]
DS10S2FBO-9	108" [2743.2]	47 9/16" [1208.1]	97 1/4" [2470.1]	53 7/16" [1356.9]	108 1/2" [2755.9]
KEY:		(A/2)-6 7/16" (A/2)-[163.5]	A-10 3/4" A-[273.1]	(A/2)-9/16" (A/2)-[14.7]	A+1/2" A+[12.7]

① - MEETS OR EXCEEDS DIMENSIONAL REQUIREMENTS OF NFPA SECTION 18.2.3.6(1) CODE
 ② - MEETS OR EXCEEDS DIMENSIONAL REQUIREMENTS OF CBC 2007 1008.1.1 CODE



LH SLIDE SHOWN
 (RH SLIDE OPPOSITE)
 SCALE - 1:30

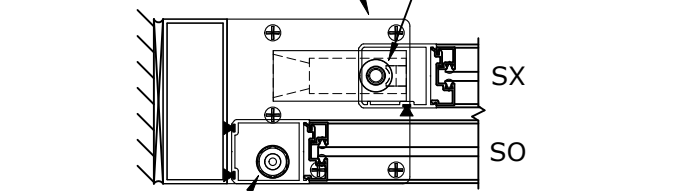


FINISHED FLOOR MUST NOT BE CONCAVE ACROSS THE CLEAR DOOR OPENING AND NOT OUT OF LEVEL MORE THAN 1/8".

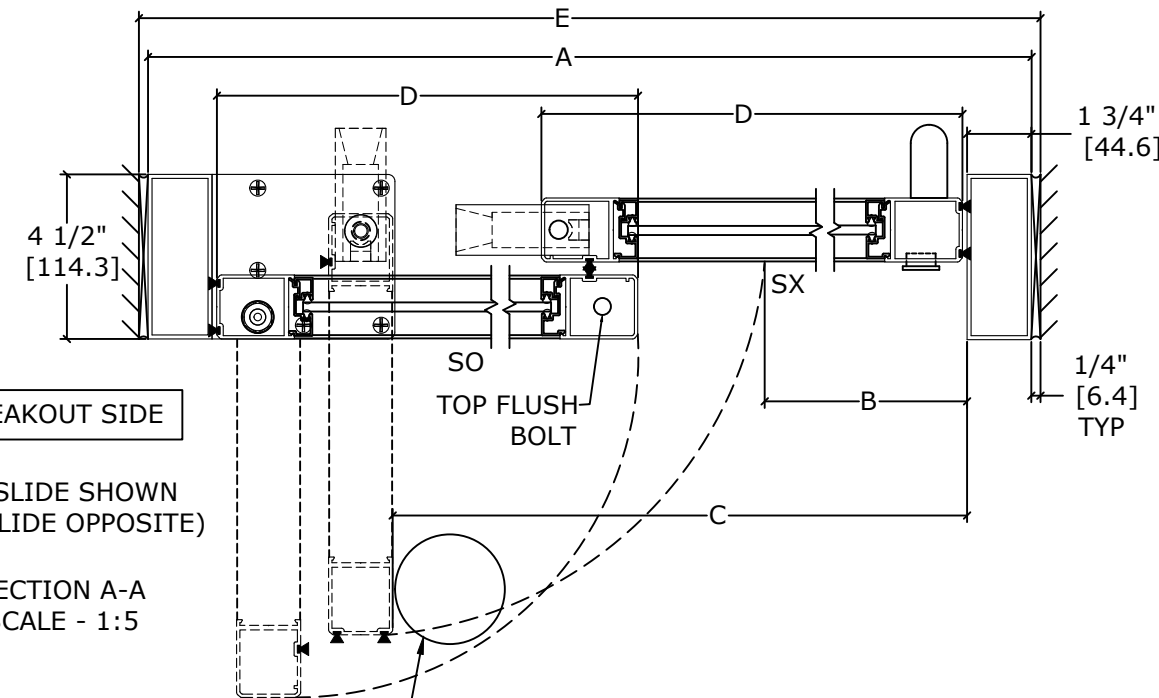
SECTION B-B
 SCALE - 1:5

ALL STEEL CONSTRUCTION TRACKLESS PIVOT PLATE WITH CLEAR ZINC FINISH

ACTIVE LEAF PIVOT POINT



DETAIL C
 SCALE - 1:5



SECTION A-A
 SCALE - 1:5

DOORS WILL ONLY BREAK OUT WHEN IN THE FULLY OPEN POSITION.

FINISHED FLOOR MUST NOT BE AN INCREASE IN ELEVATION THROUGH BREAKOUT DOOR(S) PATH

REFER TO RELEVANT [LOCAL, STATE, NATIONAL, OR AHJ] BUILDING CODE FOR MIN DOOR HEIGHT & MIN/MAX WIDTH ALLOWABLE FOR EGRESS REQUIREMENT IN CONJUNCTION WITH TABLE.

NOTES:

STANDARD PACKAGE CONSISTS OF:

- STANDARD FINISH: CLASS 1, .018MM, CLEAR- AA-M12C22A41
- NARROW STILE RAILS
- 1/4" GLASS STOPS AND BLOCKS
- PULL HANDLE(S) AND RECESSED FINGER PULL(S)
- NURSE ASSIST MAGNETIC CATCHES
- FULL OPENING DAMPENING DEVICE
- CONCEALED SWEEPS

OPTIONS AVAILABLE:

- SPECIAL FINISHES
- PACKAGE WILL ACCEPT , 5/8" [15.9], 1" [25.4] & 1 1/4" [31.8] GLASS
- 7" & 10" BOTTOM RAILS
- 1" WIDE JAMBS
- MUNTINS
- SELF CLOSING
- MAGNETIC HOLD OPEN
- AL DAMPENER
- ANTI-STATIC
- CENTERING WHEEL
- TRACK PACKAGE
- FULL CLOSING DAMPENING DEVICE

DWG NO.	DRN BY SS	DATE 8/27/20	CHK BY	DATE	REV. 0.4	DATE 06/30/2022
---------	-----------	--------------	--------	------	----------	-----------------

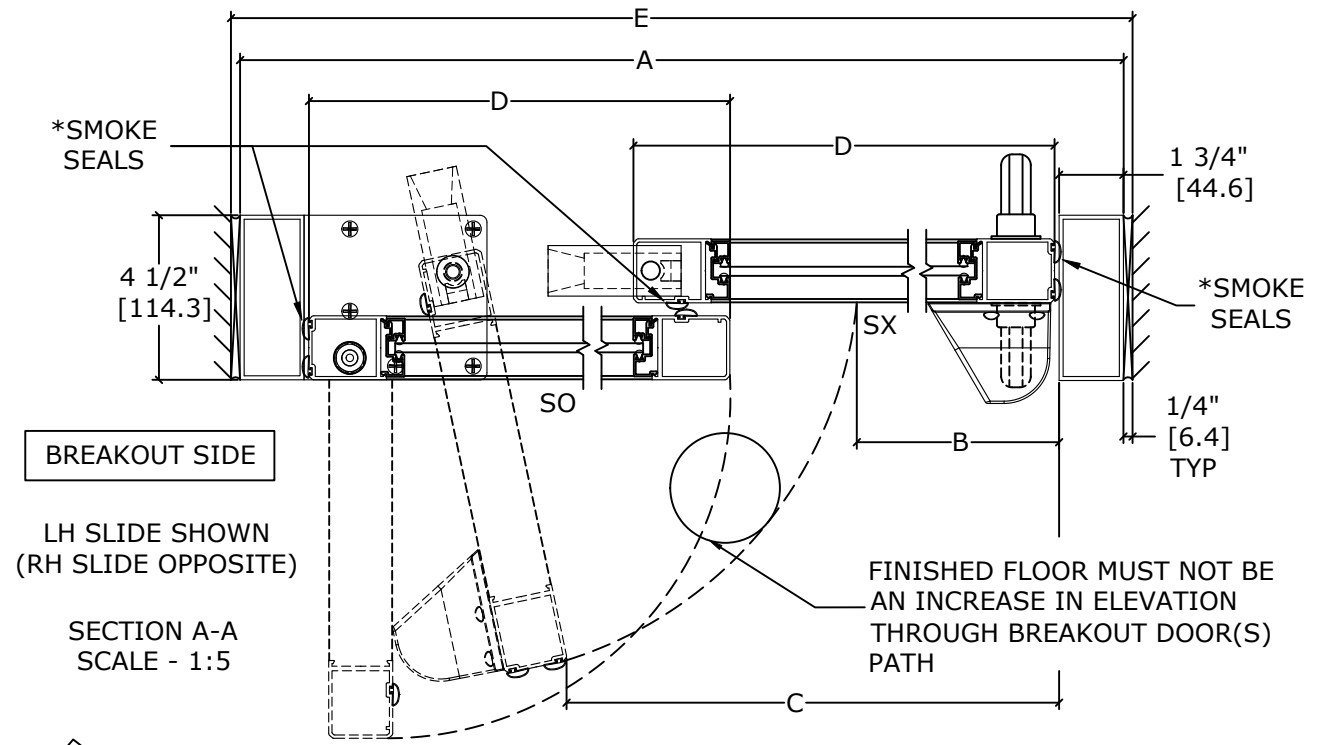
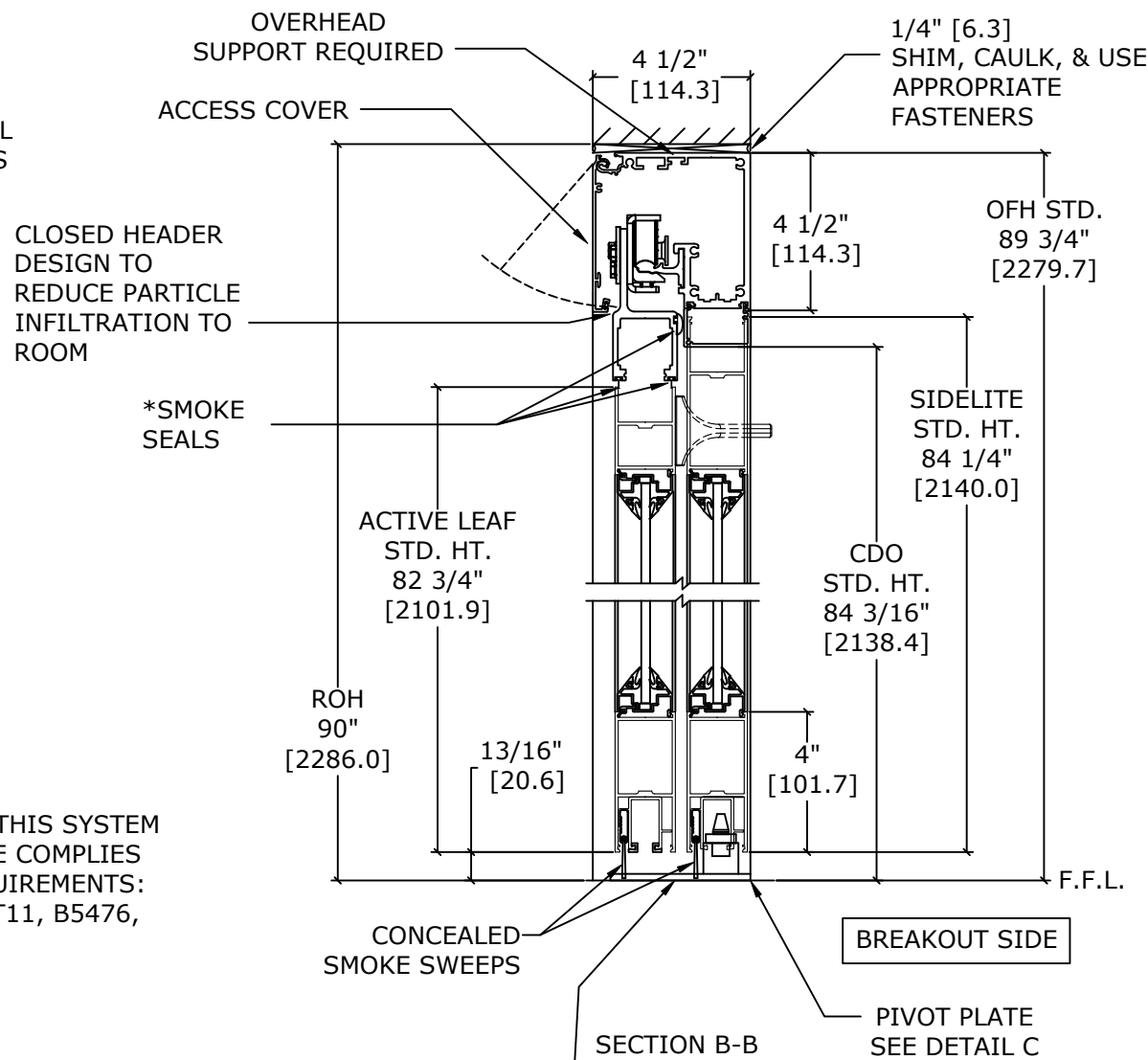
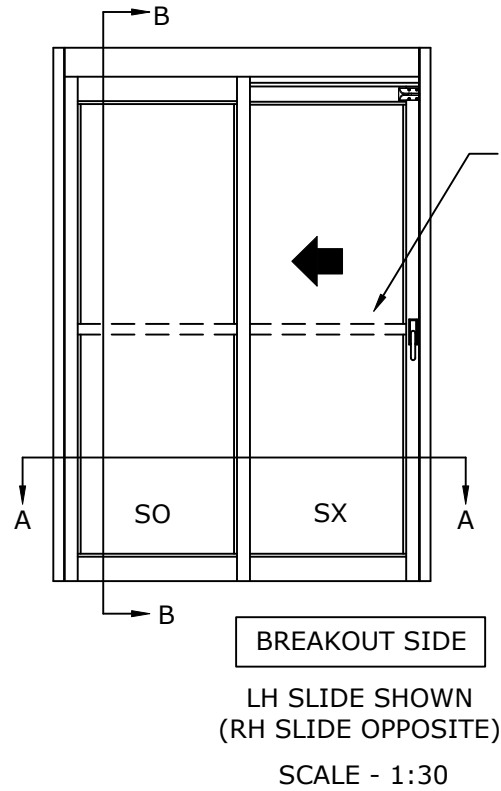
DS-10-1-FB-SR

OVERHEAD CONCEALED FULL BREAKOUT TRACKLESS
 UL 1784 SMOKE CERTIFIED NARROW STILE SINGLE SLIDE
 MANUAL DOOR SYSTEM

DIMENSIONS FOR 1/4" [6.4] GLASS

MODEL NO.	OVERALL FRAME WIDTH (A)	CLEAR DOOR OPENING WIDTH (B)	BREAKOUT OPENING (C)	ACTIVE & SIDELITE LEAF WIDTH (D)	ROUGH OPENING WIDTH (E)
DS10S2FBO-7	84" [2133.6]	35 9/16" [903.3]	71 5/16" [1811.3]	41 7/16" [1052.1]	84 1/2" [2146.3]
DS10S2FBO-8	96" [2438.4]	① 41 9/16" [1055.7]	83 5/16" [2116.1]	47 7/16" [1204.5]	96 1/2" [2451.1]
DS10S2FBO-8-6	102" [2590.8]	② 44 9/16" [1131.9]	89 5/16" [2268.5]	50 7/16" [1280.7]	102 1/2" [2603.5]
DS10S2FBO-9	108" [2743.2]	47 9/16" [1208.1]	95 5/16" [2420.9]	53 7/16" [1356.9]	108 1/2" [2755.9]
KEY:		(A/2)-6 7/16" (A/2)-[163.5]	A-12 11/16" A-[322.3]	(A/2)-9/16" (A/2)-[14.7]	A+1/2" A+[12.7]

① - MEETS OR EXCEEDS DIMENSIONAL REQUIREMENTS OF NFPA SECTION 18.2.3.6(1) CODE
 ② - MEETS OR EXCEEDS DIMENSIONAL REQUIREMENTS OF CBC 2007 1008.1.1 CODE



* SEALS: FACTORY APPLIED SEALS USED ON THIS SYSTEM TO SLOW OR RESTRICT PASSAGE OF SMOKE COMPLIES TO ONE OR MORE OF THE FOLLOWING REQUIREMENTS: UL1784, ANSI/NFPA105 2007, UBC7-2, PART11, B5476, UL10B, UL10C, UBC7-2 PART 1 & B5476.

NOTES:

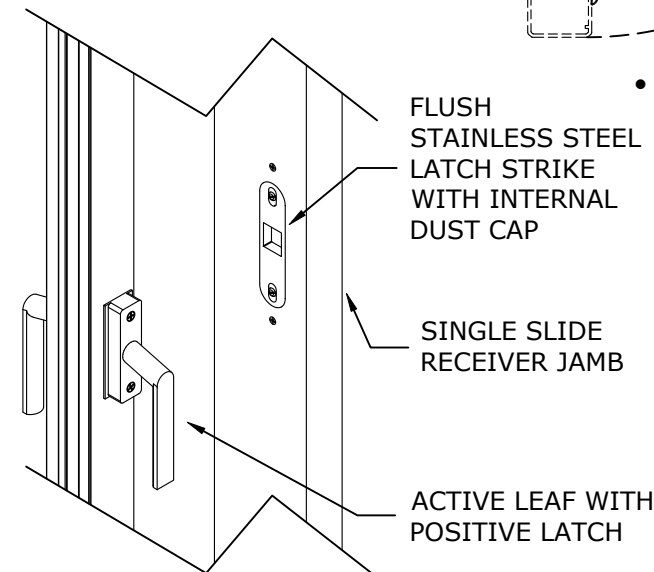
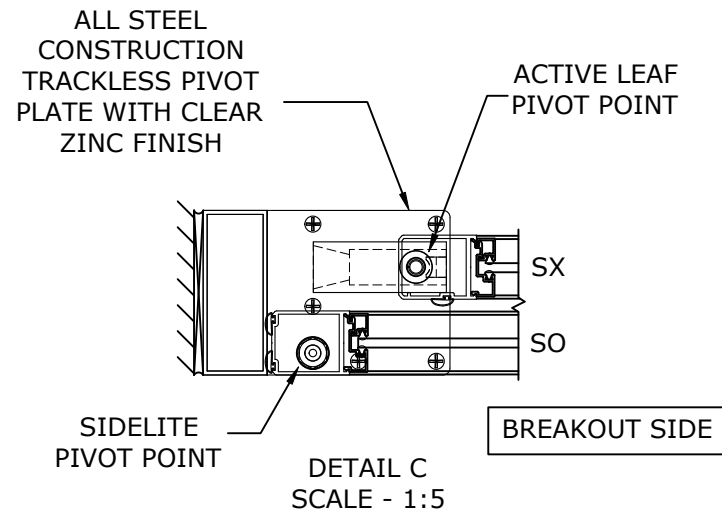
STANDARD PACKAGE CONSISTS OF:

- STANDARD FINISH: CLASS 1, .018MM, CLEAR-AA-M12C22A41
- NARROW STILE RAILS
- 1/4" GLASS STOPS AND BLOCKS
- NURSE ASSIST MAGNETIC CATCHES
- POSITIVE LATCHING
- CONCEALED SWEEPS
- SMOKE RATED SEALS

OPTIONS AVAILABLE:

- SPECIAL FINISHES
- PACKAGE WILL ACCEPT, 5/8" [15.9], 1" [25.4] & 1 1/4" [31.8] GLASS
- 7" & 10" BOTTOM RAILS
- 1 WIDE JAMBS
- MUNTINS
- SELF-CLOSING
- MAGNETIC HOLD OPEN
- AL DAMPENER
- ANTI-STATIC
- CENTERING WHEEL
- TRACK PACKAGE
- FULL CLOSING DAMPENING DEVICE

FINISHED FLOOR MUST NOT BE CONCAVE ACROSS THE CLEAR DOOR OPENING AND NOT OUT OF LEVEL MORE THAN 1/8".



- DOORS WILL ONLY BREAK OUT WHEN IN THE FULLY OPEN POSITION.

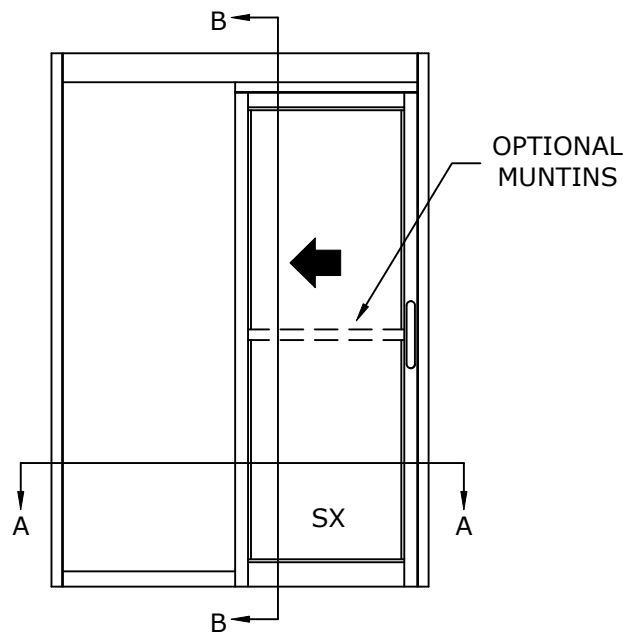
REFER TO RELEVANT [LOCAL, STATE, NATIONAL, OR AHJ] BUILDING CODE FOR MIN DOOR HEIGHT & MIN/MAX WIDTH ALLOWABLE FOR EGRESS REQUIREMENT IN CONJUNCTION WITH TABLE.

DWG NO.					
DRN BY	SS	DATE	9/3/20	CHK BY	DATE
SECTION NO.				SHEET NO.	
record DS10				6	

DS-10-1-SFL
 SURFACE APPLIED FULL BREAKOUT
 NARROW STILE SINGLE SLIDE MANUAL DOOR SYSTEM

DIMENSIONS FOR 1/4" [6.4] GLASS

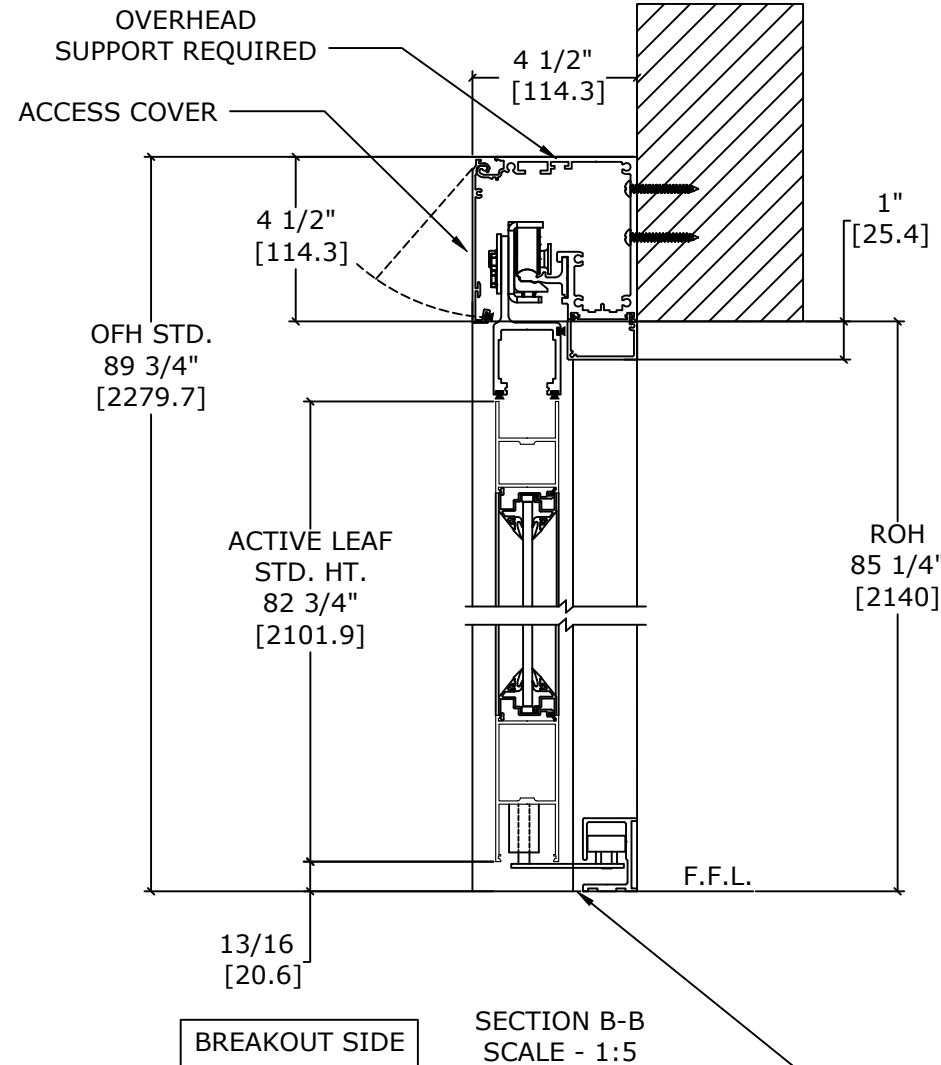
MODEL NO.	ROUGH OPENING WIDTH (A)	CLEAR DOOR OPENING WIDTH (B)	OVERALL FRAME WIDTH (C)	ACTIVE LEAF WIDTH (D)
DS10SA1-3	36" [914.4]	32 3/8" [822.3]	78 1/8" [1984.4]	38 1/2" [977.9]
DS10SA1-3-6	42" [1066.8]	38 3/8" [974.7]	90 1/8" [2289.2]	44 1/2" [1130.3]
DS10SA1-4	48" [1219.2]	44 3/8" [1127.1]	102 1/8" [2594]	50 1/2" [1282.7]
KEY:		A- 3 5/8" A- [92.1]	2A+ 6 1/8" 2A+ [155.6]	A+ 2.5" A+ [63.5]



BREAKOUT SIDE

LH SLIDE SHOWN
(RH SLIDE OPPOSITE)

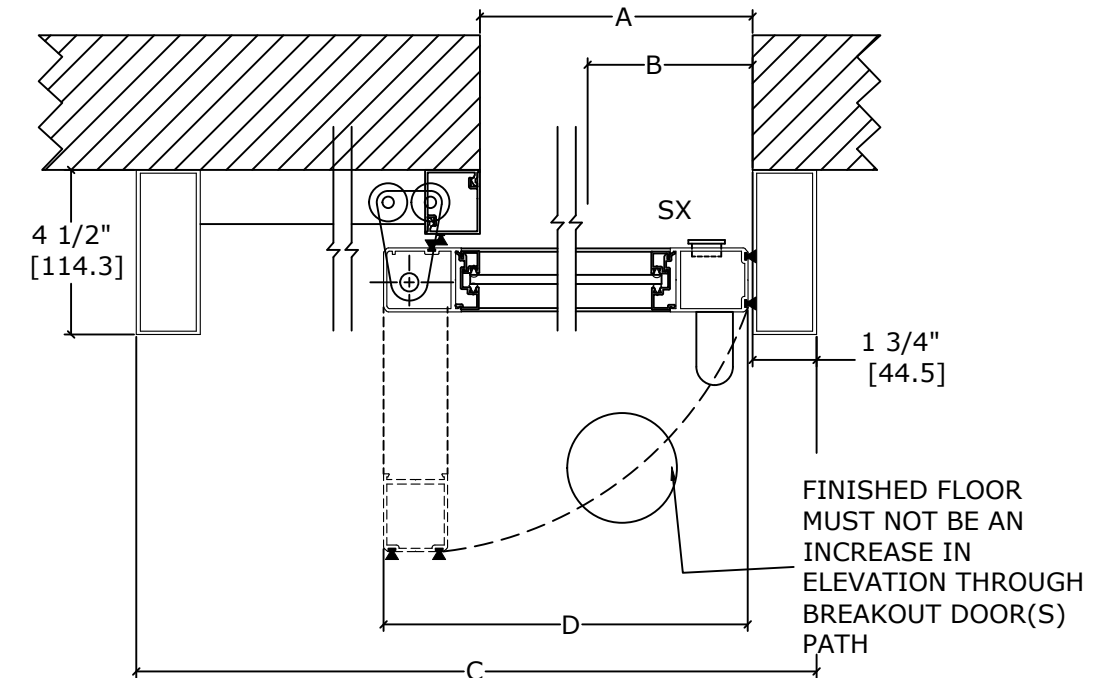
SCALE - 1:30



BREAKOUT SIDE

SECTION B-B
SCALE - 1:5

FINISHED FLOOR MUST NOT BE CONCAVE ACROSS THE CLEAR DOOR OPENING AND NOT OUT OF LEVEL MORE THAN 1/8".



BREAKOUT SIDE

LH SLIDE SHOWN
(RH SLIDE OPPOSITE)

SECTION A-A
SCALE - 1:5

- DOORS WILL BREAK OUT IN ANY POSITION

REFER TO RELEVANT [LOCAL, STATE, NATIONAL, OR AHJ] BUILDING CODE FOR MIN DOOR HEIGHT & MIN/MAX WIDTH ALLOWABLE FOR EGRESS REQUIREMENT IN CONJUNCTION WITH TABLE.

NOTES:

STANDARD PACKAGE CONSISTS OF:

- STANDARD FINISH: CLASS 1, .018MM, CLEAR- AA-M12C22A41
- NARROW STILE RAILS
- 1/4" GLASS STOPS AND BLOCKS
- PULL HANDLE(S) AND RECESSED FINGER PULL(S)
- NURSE ASSIST MAGNETIC CATCHES
- FULL OPENING DAMPENING DEVICE
- CONCEALED SWEEPS

OPTIONS AVAILABLE:

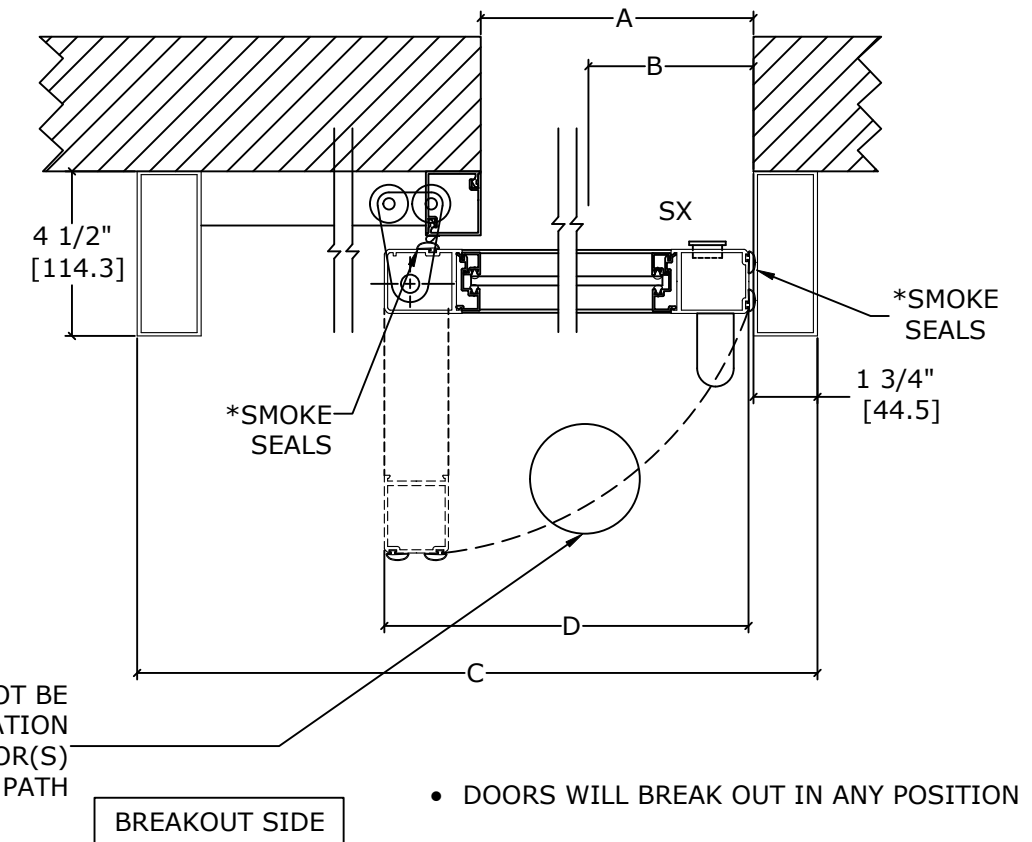
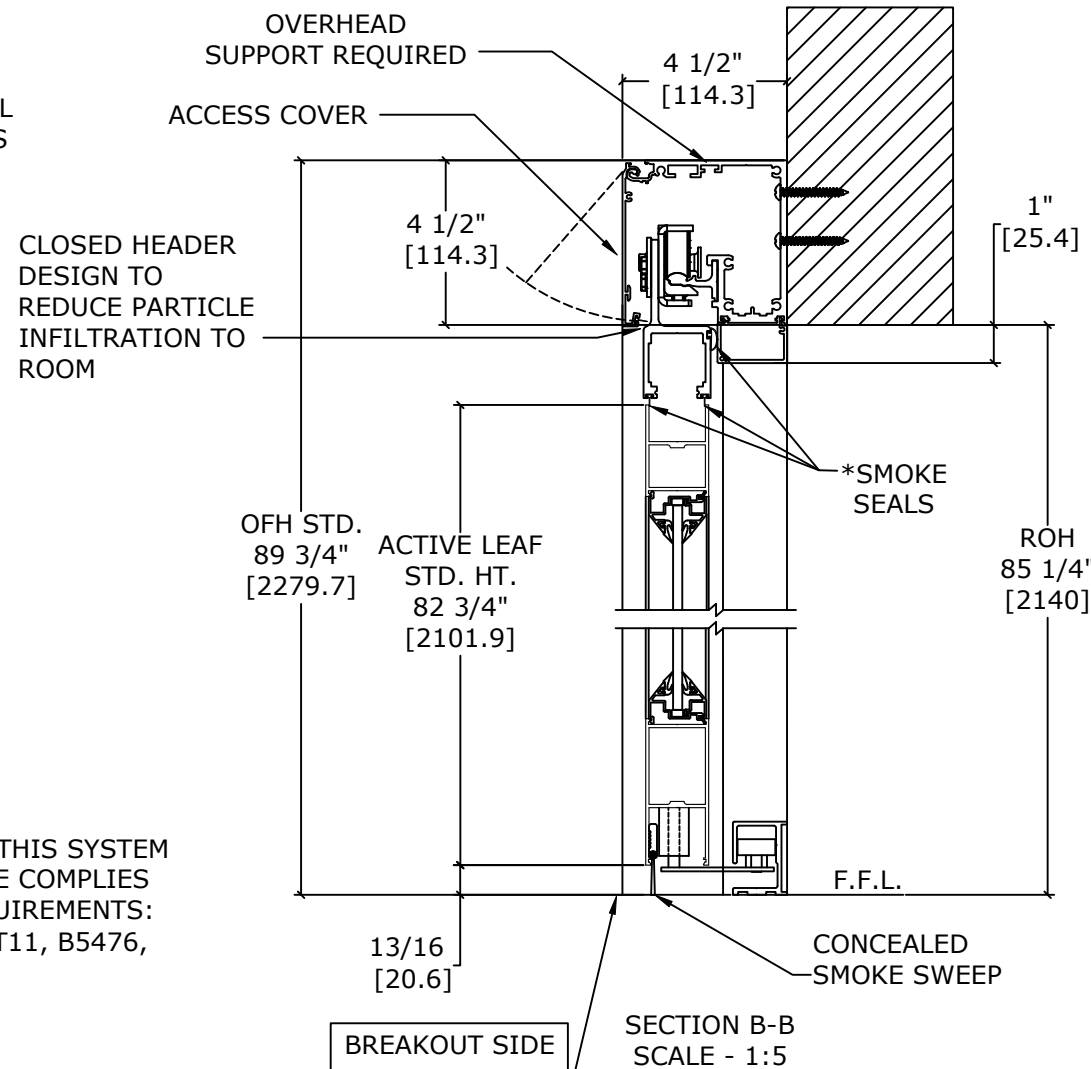
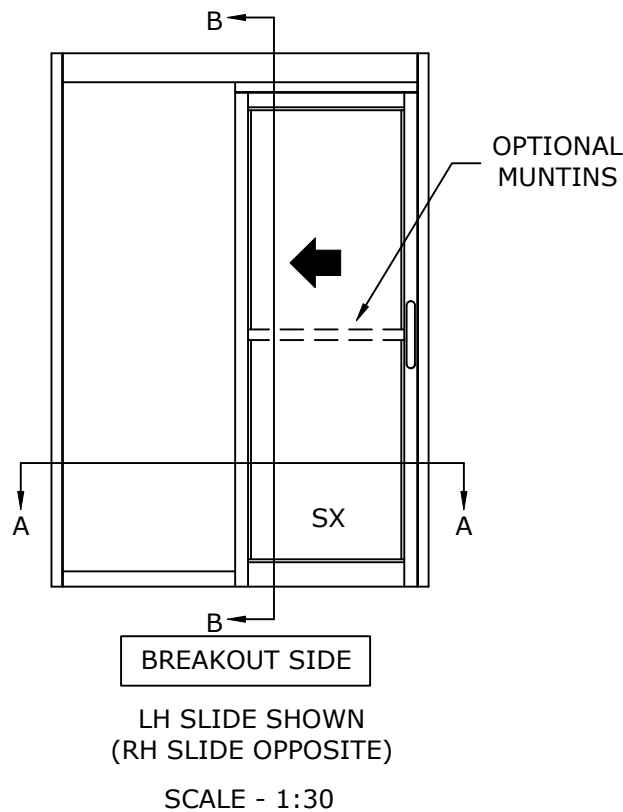
- SPECIAL FINISHES
- PACKAGE WILL ACCEPT , 5/8" [15.9], 1" [25.4] & 1 1/4" [31.8] GLASS
- 7" & 10" BOTTOM RAILS
- 1" WIDE JAMBS
- MUNTINS
- SELF CLOSING
- MAGNETIC HOLD OPEN
- AL DAMPENER
- ANTI-STATIC
- CENTERING WHEEL
- TRACK PACKAGE
- FULL CLOSING DAMPENING DEVICE

DWG NO.					
DRN BY	SS	DATE	8/27/20	CHK BY	DATE
				REV. 0.3	DATE 07/12/22

DS-10-1-SFL-SR
 SURFACE APPLIED FULL BREAKOUT
 UL 1784 SMOKE CERTIFIED NARROW STILE
 SINGLE SLIDE MANUAL DOOR SYSTEM

DIMENSIONS FOR 1/4" [6.4] GLASS

MODEL NO.	ROUGH OPENING WIDTH (A)	CLEAR DOOR OPENING WIDTH (B)	OVERALL FRAME WIDTH (C)	ACTIVE LEAF WIDTH (D)
DS10SA1-3	36" [914.4]	32 3/8" [822.3]	78 1/8" [1984.4]	38 1/2" [977.9]
DS10SA1-3-6	42" [1066.8]	38 3/8" [974.7]	90 1/8" [2289.2]	44 1/2" [1130.3]
DS10SA1-4	48" [1219.2]	44 3/8" [1127.1]	102 1/8" [2594]	50 1/2" [1282.7]
KEY:		A- 3 5/8" A- [92.1]	2A+ 6 1/8" 2A+ [155.6]	A+ 2.5" A+ [63.5]



* SEALS: FACTORY APPLIED SEALS USED ON THIS SYSTEM TO SLOW OR RESTRICT PASSAGE OF SMOKE COMPLIES TO ONE OR MORE OF THE FOLLOWING REQUIREMENTS: UL1784, ANSI/NFPA105 2007, UBC7-2, PART11, B5476, UL10B, UL10C, UBC7-2 PART 1 & B5476.

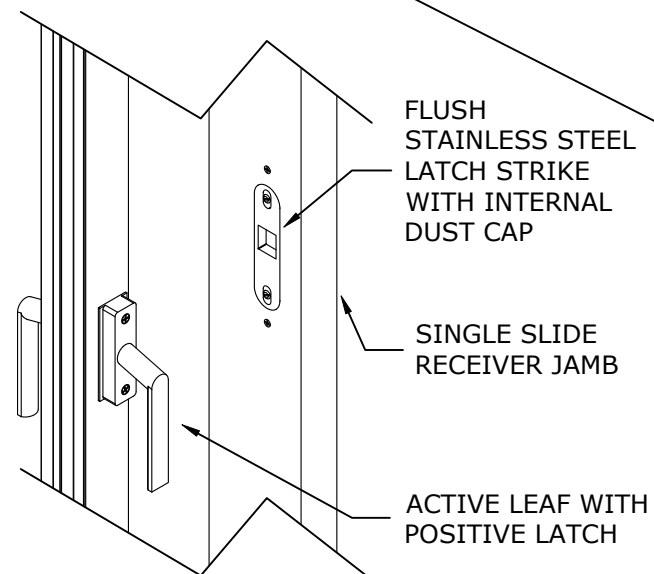
NOTES:

STANDARD PACKAGE CONSISTS OF:

- STANDARD FINISH: CLASS 1, .018MM, CLEAR- AA-M12C22A41
- NARROW STILE RAILS
- 1/4" GLASS STOPS AND BLOCKS
- NURSE ASSIST MAGNETIC CATCHES
- POSITIVE LATCHING
- CONCEALED SWEEPS
- SMOKE RATED SEALS

OPTIONS AVAILABLE:

- SPECIAL FINISHES
- PACKAGE WILL ACCEPT, 5/8" [15.9], 1" [25.4] & 1 1/4" [31.8] GLASS
- 7" & 10" BOTTOM RAILS
- 1" WIDE JAMBS
- MUNTINS
- SELF-CLOSING
- MAGNETIC HOLD OPEN
- AL DAMPENER
- ANTI-STATIC
- CENTERING WHEEL
- TRACK PACKAGE
- FULL CLOSING DAMPENING DEVICE



FINISHED FLOOR MUST NOT BE AN INCREASE IN ELEVATION THROUGH BREAKOUT DOOR(S) PATH

FINISHED FLOOR MUST NOT BE CONCAVE ACROSS THE CLEAR DOOR OPENING AND NOT OUT OF LEVEL MORE THAN 1/8".

- DOORS WILL BREAK OUT IN ANY POSITION

REFER TO RELEVANT [LOCAL, STATE, NATIONAL, OR AHJ] BUILDING CODE FOR MIN DOOR HEIGHT & MIN/MAX WIDTH ALLOWABLE FOR EGRESS REQUIREMENT IN CONJUNCTION WITH TABLE.

DWG NO.					
DRN BY	SS	DATE	8/27/20	CHK BY	DATE
SECTION NO.				SHEET NO.	
record DS10				8	

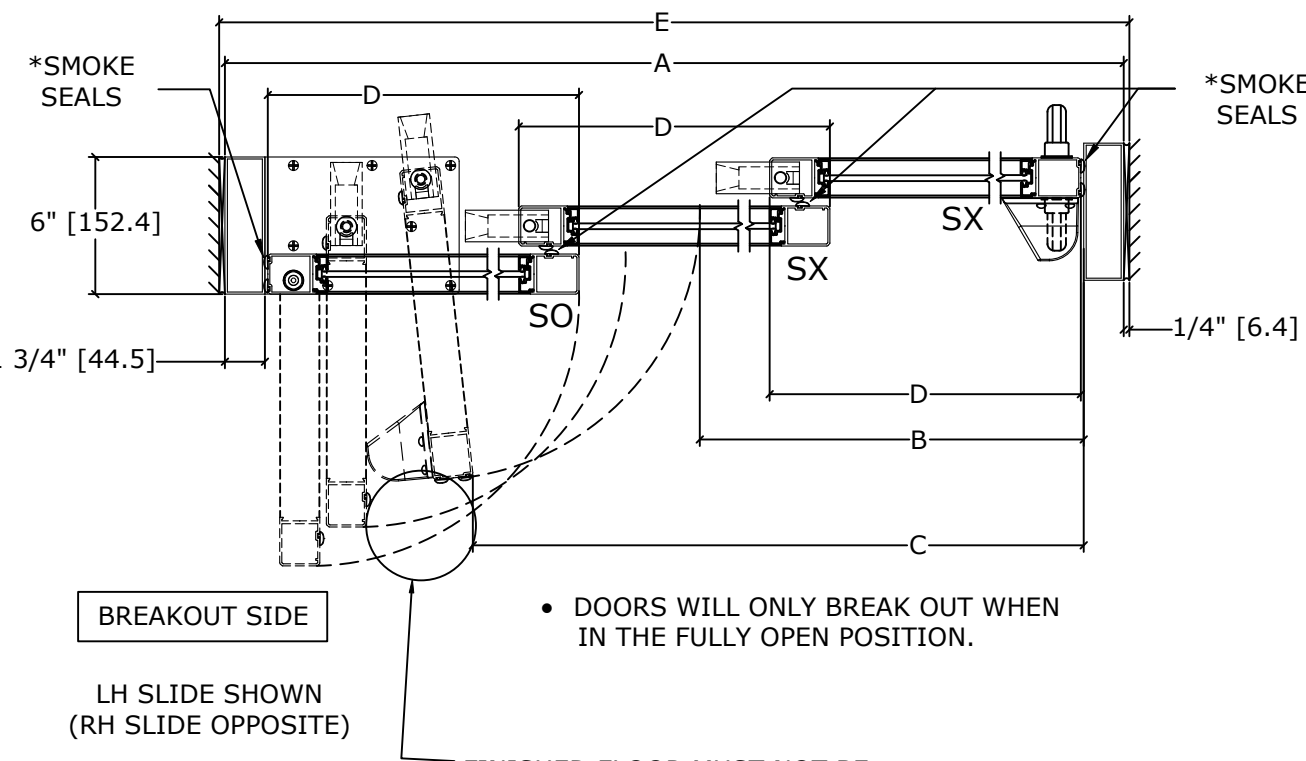
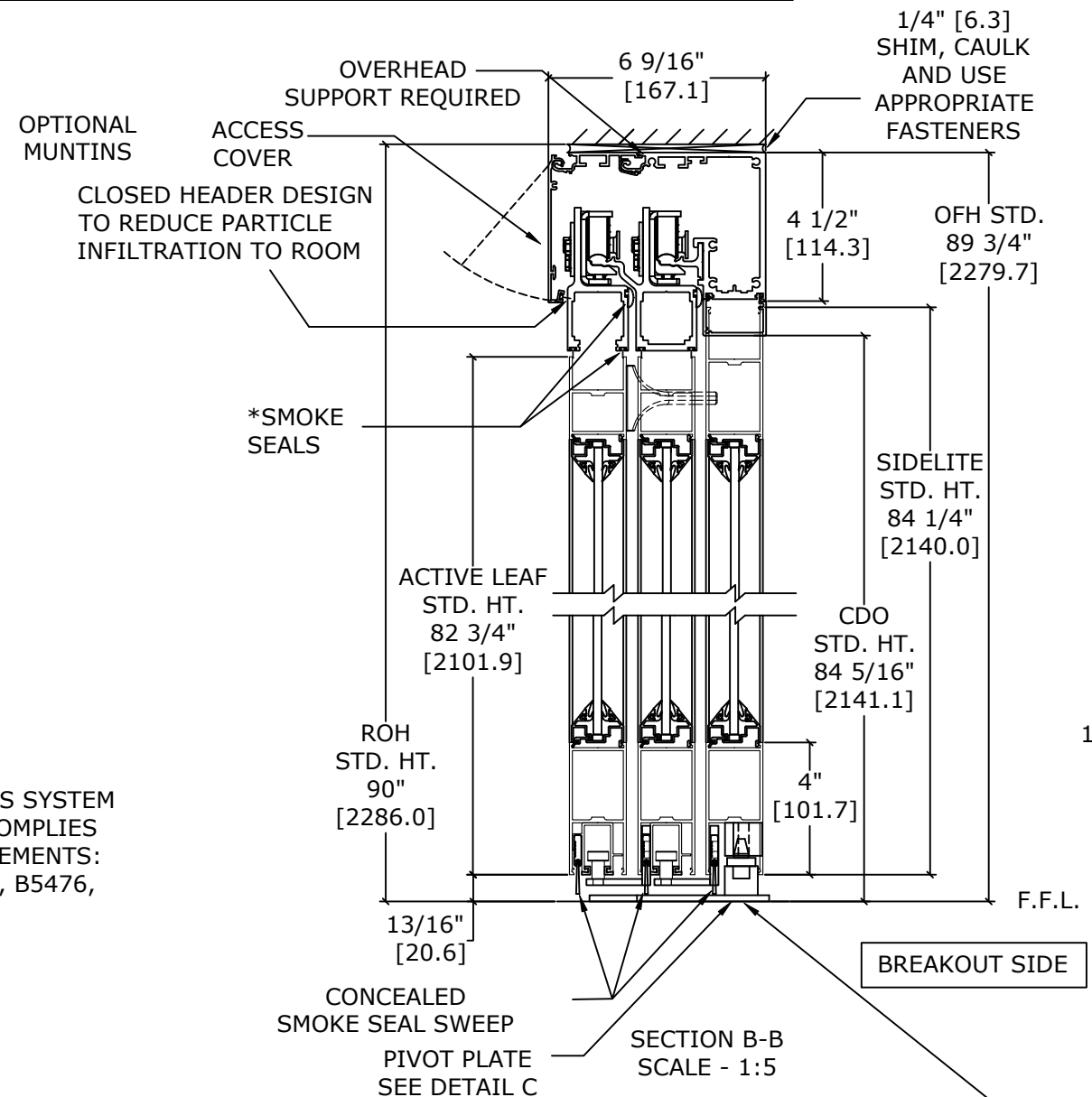
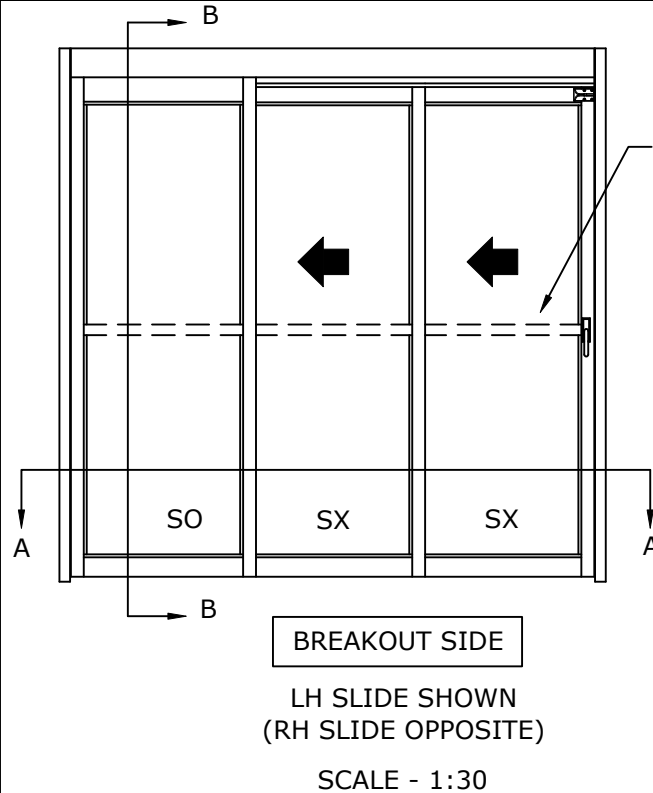
DS-10 -3-TFB-SR

OVERHEAD CONCEALED FULL BREAKOUT TRACKLESS
 UL 1784 SMOKE CERTIFIED NARROW STILE TELESCOPIC EQUAL PANEL
 SLIDING MANUAL DOOR SYSTEM

DIMENSIONS FOR 1/4" [6.4] GLASS

MODEL NO.	OVERALL FRAME WIDTH (A)	CLEAR DOOR OPENING (B)	BREAKOUT OPENING (C)	ACTIVE & SIDELITE LEAF WIDTH (D)	ROUGH OPENING WIDTH (E)
DS10T3FBO-8	96" [2438.4]	53 3/4" [1365.3]	81 1/2" [2070.1]	32 1/2" [825.5]	96 1/2" [2451.1]
DS10T3FBO-10	120" [3048.0]	69 3/4" [1771.7]	105 1/2" [2679.7]	40 1/2" [1028.7]	120 1/2" [3060.7]
DS10T3FBO-12	144" [3657.6]	85 3/4" [2178.1]	129 1/2" [3289.3]	48 1/2" [1231.9]	144 1/2" [3670.3]
KEY:		(2*A/3)-10 1/4" (2*A/3)-[260.4]	A-14 1/2" A-[368.3]	(A/3)+ 1/2" (A/3)+[12.7]	A+1/2" A+[12.7]

CONSULT FACTORY FOR ALL CUSTOM CONFIGURATION SIZES OR SIZES OVER 12'.



• DOORS WILL ONLY BREAK OUT WHEN IN THE FULLY OPEN POSITION.

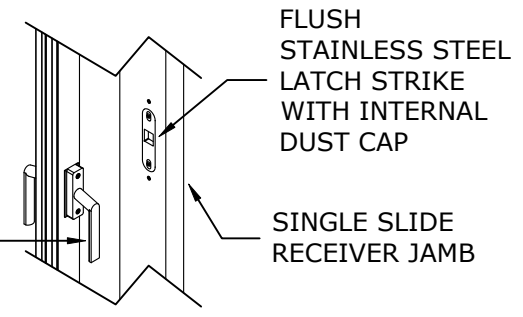
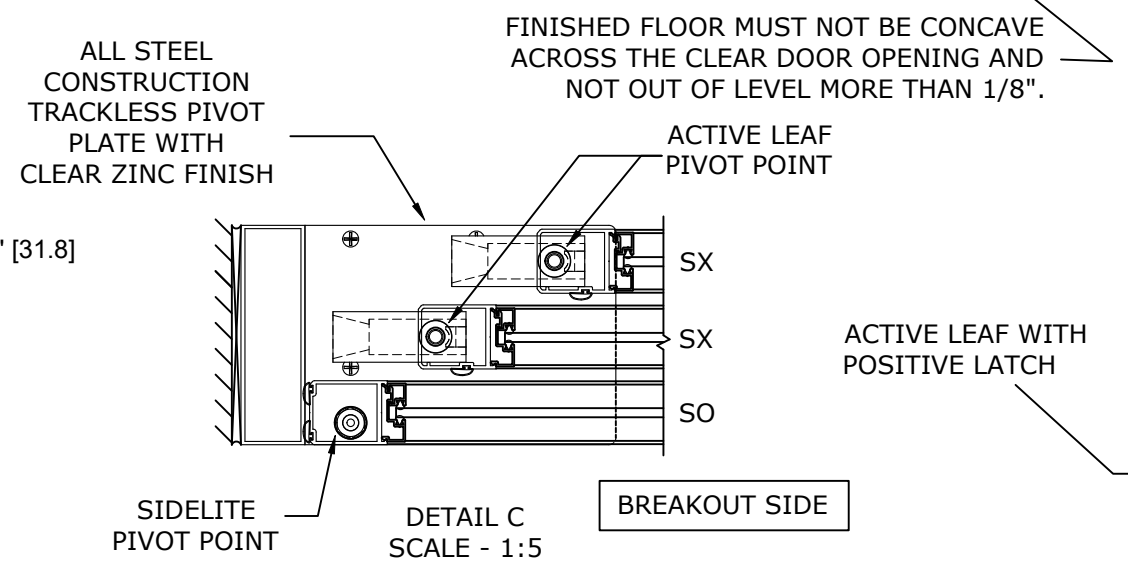
FINISHED FLOOR MUST NOT BE AN INCREASE IN ELEVATION THROUGH BREAKOUT DOOR(S) PATH

* SEALS: FACTORY APPLIED SEALS USED ON THIS SYSTEM TO SLOW OR RESTRICT PASSAGE OF SMOKE COMPLIES TO ONE OR MORE OF THE FOLLOWING REQUIREMENTS: UL1784, ANSI/NFPA105 2007, UBC7-2, PART11, B5476, UL10B, UL10C, UBC7-2 PART 1 & B5476.

NOTES:

- STANDARD PACKAGE CONSISTS OF:
- STANDARD FINISH: CLASS 1, .018MM, CLEAR- AA-M12C22A41
 - NARROW STILE RAILS
 - 1/4" GLASS STOPS AND BLOCKS
 - NURSE ASSIST MAGNETIC CATCHES
 - POSITIVE LATCHING
 - CONCEALED SWEEPS
 - SMOKE RATED SEALS

- OPTIONS AVAILABLE:
- SPECIAL FINISHES
 - PACKAGE WILL ACCEPT, 5/8" [15.9], 1" [25.4] & 1 1/4" [31.8] GLASS
 - 7" & 10" BOTTOM RAILS
 - 1" WIDE JAMBS
 - MUNTINS
 - SELF-CLOSING
 - MAGNETIC HOLD OPEN
 - AL DAMPENER
 - ANTI-STATIC
 - CENTERING WHEEL
 - TRACK PACKAGE
 - FULL CLOSING DAMPENING DEVICE



REFER TO RELEVANT [LOCAL, STATE, NATIONAL, OR AHJ] BUILDING CODE FOR MIN DOOR HEIGHT & MIN/MAX WIDTH ALLOWABLE FOR EGRESS REQUIREMENT IN CONJUNCTION WITH TABLE.

DWG NO. _____

DRN BY	SS	DATE	8/27/20	CHK BY	DATE	REV.	0.4	DATE	07/12/22
--------	----	------	---------	--------	------	------	-----	------	----------

SECTION NO. DS10 SHEET NO. 9