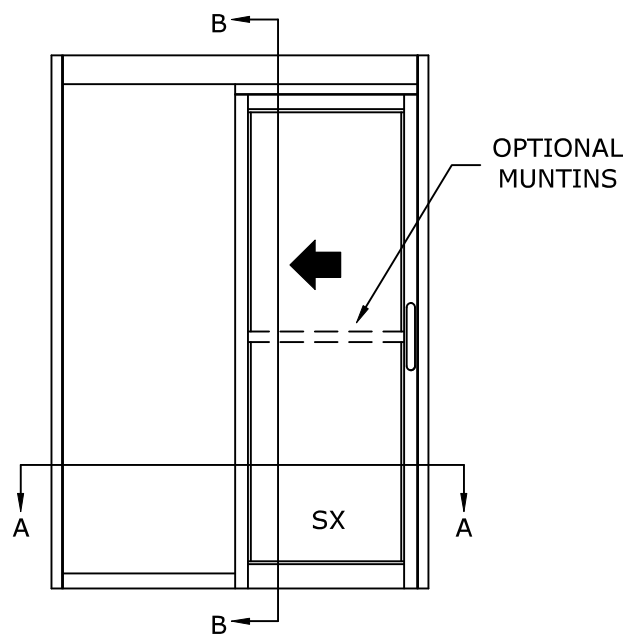


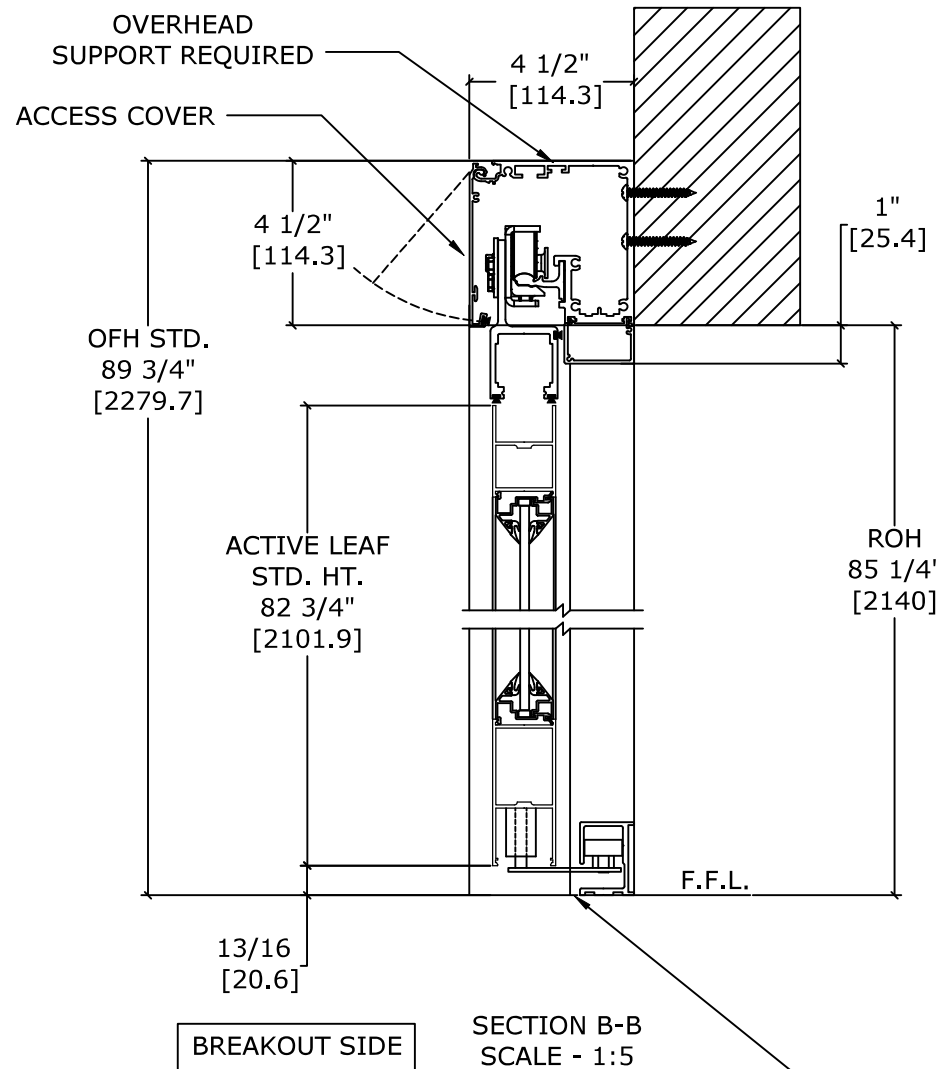
DS-10-1-SFL
 SURFACE APPLIED FULL BREAKOUT
 NARROW STILE SINGLE SLIDE MANUAL DOOR SYSTEM

DIMENSIONS FOR 1/4" [6.4] GLASS

| MODEL NO. | ROUGH OPENING WIDTH (A) | CLEAR DOOR OPENING WIDTH (B) | OVERALL FRAME WIDTH (C) | ACTIVE LEAF WIDTH (D) |
|-------------|-------------------------|------------------------------|---------------------------|-----------------------|
| DS10SA1-3 | 36" [914.4] | 32 3/8" [822.3] | 78 1/8" [1984.4] | 38 1/2" [977.9] |
| DS10SA1-3-6 | 42" [1066.8] | 38 3/8" [974.7] | 90 1/8" [2289.2] | 44 1/2" [1130.3] |
| DS10SA1-4 | 48" [1219.2] | 44 3/8" [1127.1] | 102 1/8" [2594] | 50 1/2" [1282.7] |
| KEY: | | A- 3 5/8" A- [92.1] | 2A+ 6 1/8" 2A+ [155.6] | A+ 2.5" A+ [63.5] |

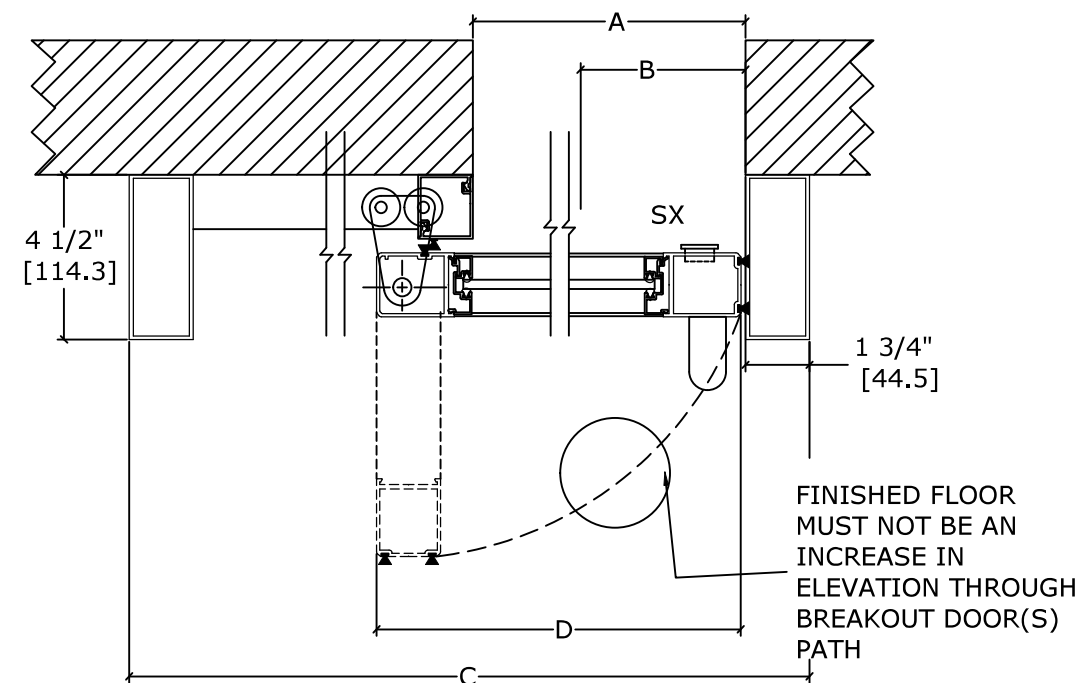


BREAKOUT SIDE
 LH SLIDE SHOWN
 (RH SLIDE OPPOSITE)
 SCALE - 1:30



BREAKOUT SIDE
 SECTION B-B
 SCALE - 1:5

FINISHED FLOOR MUST NOT BE CONCAVE ACROSS THE CLEAR DOOR OPENING AND NOT OUT OF LEVEL MORE THAN 1/8".



BREAKOUT SIDE
 LH SLIDE SHOWN
 (RH SLIDE OPPOSITE)
 SECTION A-A
 SCALE - 1:5

- DOORS WILL BREAK OUT IN ANY POSITION

REFER TO RELEVANT [LOCAL, STATE, NATIONAL, OR AHJ] BUILDING CODE FOR MIN DOOR HEIGHT & MIN/MAX WIDTH ALLOWABLE FOR EGRESS REQUIREMENT IN CONJUNCTION WITH TABLE.

NOTES:

STANDARD PACKAGE CONSISTS OF:

- STANDARD FINISH: CLASS 1, .018MM, CLEAR- AA-M12C22A41
- NARROW STILE RAILS
- 1/4" GLASS STOPS AND BLOCKS
- PULL HANDLE(S) AND RECESSED FINGER PULL(S)
- NURSE ASSIST MAGNETIC CATCHES
- FULL OPENING DAMPENING DEVICE
- CONCEALED SWEEPS

OPTIONS AVAILABLE:

- SPECIAL FINISHES
- PACKAGE WILL ACCEPT , 5/8" [15.9], 1" [25.4] & 1 1/4" [31.8] GLASS
- 7" & 10" BOTTOM RAILS
- 1" WIDE JAMBS
- MUNTINS
- SELF CLOSING
- MAGNETIC HOLD OPEN
- AL DAMPENER
- ANTI-STATIC
- CENTERING WHEEL
- TRACK PACKAGE
- FULL CLOSING DAMPENING DEVICE

| | | | | | |
|---------|----|------|---------|----------|---------------|
| DWG NO. | | | | | |
| DRN BY | SS | DATE | 8/27/20 | CHK BY | DATE |
| | | | | | |
| | | | | REV. 0.3 | DATE 07/12/22 |