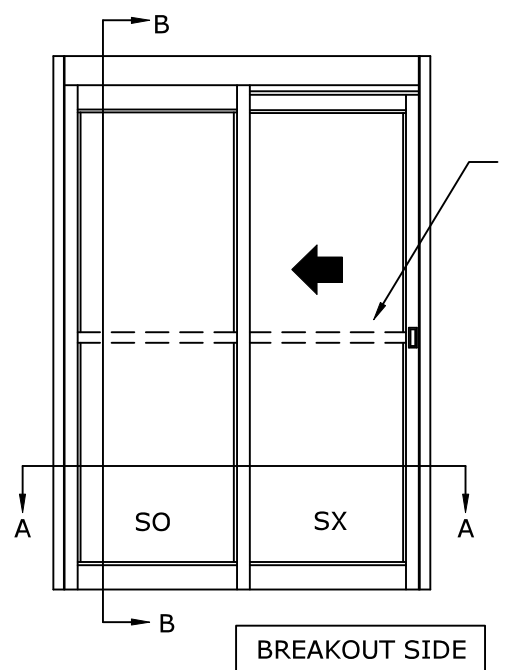


DS-10-1-FB
 OVERHEAD CONCEALED FULL BREAKOUT TRACKLESS
 NARROW STILE SINGLE SLIDE MANUAL DOOR SYSTEM

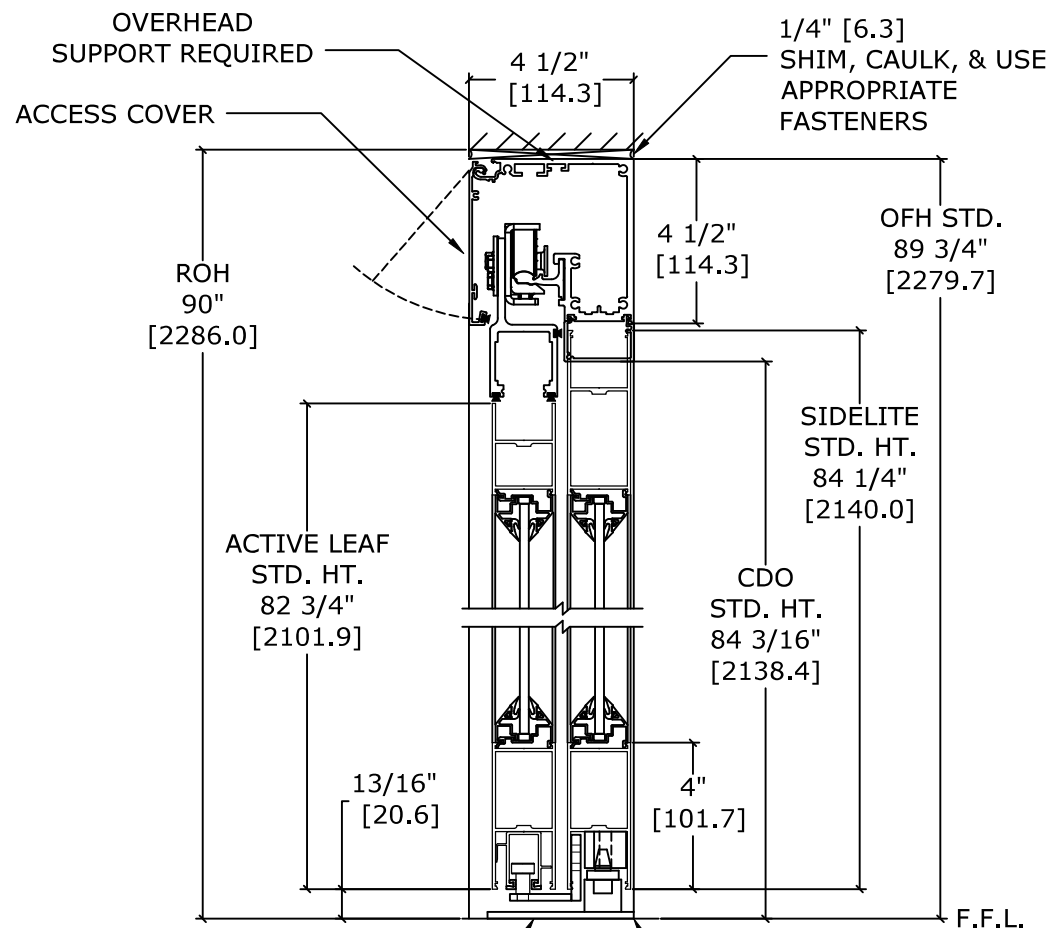
DIMENSIONS FOR 1/4" [6.4] GLASS

MODEL NO.	OVERALL FRAME WIDTH (A)	CLEAR DOOR OPENING WIDTH (B)	BREAKOUT OPENING (C)	ACTIVE & SIDELITE LEAF WIDTH (D)	ROUGH OPENING WIDTH (E)
DS10S2FBO-7	84" [2133.6]	35 9/16" [903.3]	73 1/4" [1860.5]	41 7/16" [1052.1]	84 1/2" [2146.3]
DS10S2FBO-8	96" [2438.4]	① 41 9/16" [1055.7]	85 1/4" [2165.3]	47 7/16" [1204.5]	96 1/2" [2451.1]
DS10S2FBO-8-6	102" [2590.8]	② 44 9/16" [1131.9]	91 1/4" [2317.7]	50 7/16" [1280.7]	102 1/2" [2603.5]
DS10S2FBO-9	108" [2743.2]	47 9/16" [1208.1]	97 1/4" [2470.1]	53 7/16" [1356.9]	108 1/2" [2755.9]
KEY:		(A/2)-6 7/16" (A/2)-[163.5]	A-10 3/4" A-[273.1]	(A/2)-9/16" (A/2)-[14.7]	A+1/2" A+[12.7]

① - MEETS OR EXCEEDS DIMENSIONAL REQUIREMENTS OF NFPA SECTION 18.2.3.6(1) CODE
 ② - MEETS OR EXCEEDS DIMENSIONAL REQUIREMENTS OF CBC 2007 1008.1.1 CODE



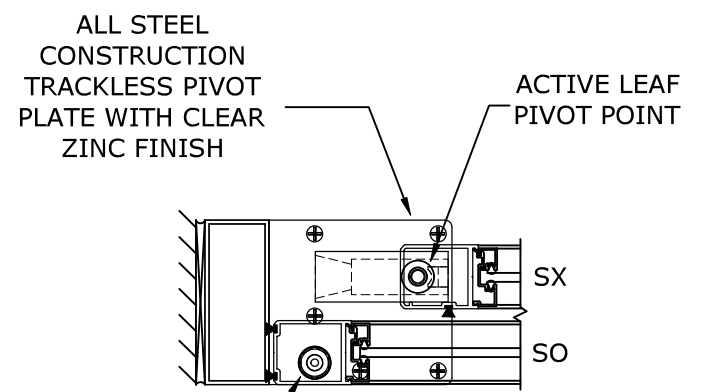
LH SLIDE SHOWN (RH SLIDE OPPOSITE)
 SCALE - 1:30



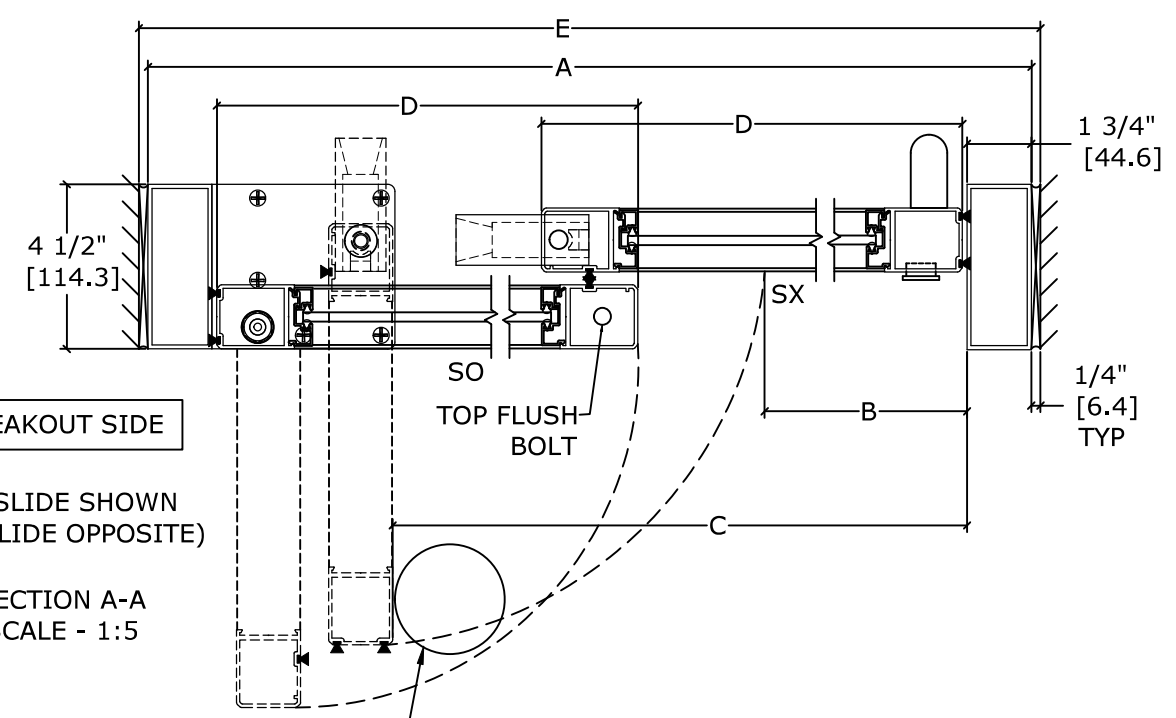
SECTION B-B
 SCALE - 1:5

FINISHED FLOOR MUST NOT BE CONCAVE ACROSS THE CLEAR DOOR OPENING AND NOT OUT OF LEVEL MORE THAN 1/8".

- NOTES:**
 STANDARD PACKAGE CONSISTS OF:
- STANDARD FINISH: CLASS 1, .018MM, CLEAR- AA-M12C22A41
 - NARROW STILE RAILS
 - 1/4" GLASS STOPS AND BLOCKS
 - PULL HANDLE(S) AND RECESSED FINGER PULL(S)
 - NURSE ASSIST MAGNETIC CATCHES
 - FULL OPENING DAMPENING DEVICE
 - CONCEALED SWEEPS
- OPTIONS AVAILABLE:
- SPECIAL FINISHES
 - PACKAGE WILL ACCEPT , 5/8" [15.9], 1" [25.4] & 1 1/4" [31.8] GLASS
 - 7" & 10" BOTTOM RAILS
 - 1" WIDE JAMBS
 - MUNTINS
 - SELF CLOSING
 - MAGNETIC HOLD OPEN
 - AL DAMPENER
 - ANTI-STATIC
 - CENTERING WHEEL
 - TRACK PACKAGE
 - FULL CLOSING DAMPENING DEVICE



DETAIL C
 SCALE - 1:5



DOORS WILL ONLY BREAK OUT WHEN IN THE FULLY OPEN POSITION.

FINISHED FLOOR MUST NOT BE AN INCREASE IN ELEVATION THROUGH BREAKOUT DOOR(S) PATH

REFER TO RELEVANT [LOCAL, STATE, NATIONAL, OR AHJ] BUILDING CODE FOR MIN DOOR HEIGHT & MIN/MAX WIDTH ALLOWABLE FOR EGRESS REQUIREMENT IN CONJUNCTION WITH TABLE.

DWG NO.	DRN BY SS	DATE 8/27/20	CHK BY	DATE	REV. 0.4	DATE 06/30/2022
---------	-----------	--------------	--------	------	----------	-----------------