

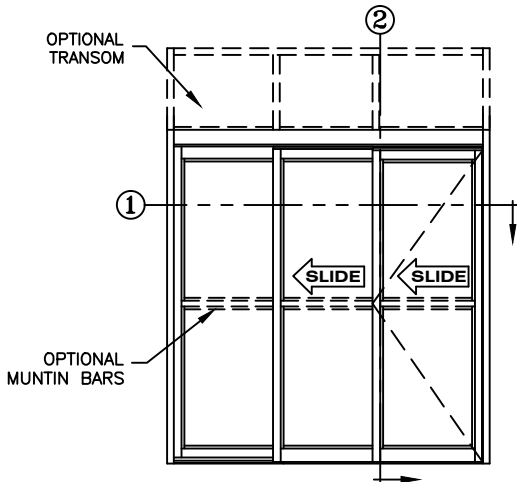


record-usa
4324 PHIL HARGETT CT.
MONROE, NC 28110
(704) 289 - 9212

JOB NAME: _____
LOCATION: _____

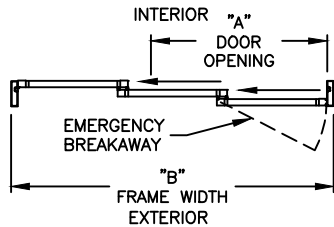
5900 SERIES MANUAL SLIDING DOORS

TYPE: 5919-1, 0-X-SX, L.H. TELESCOPE
PAGE 59-2.21



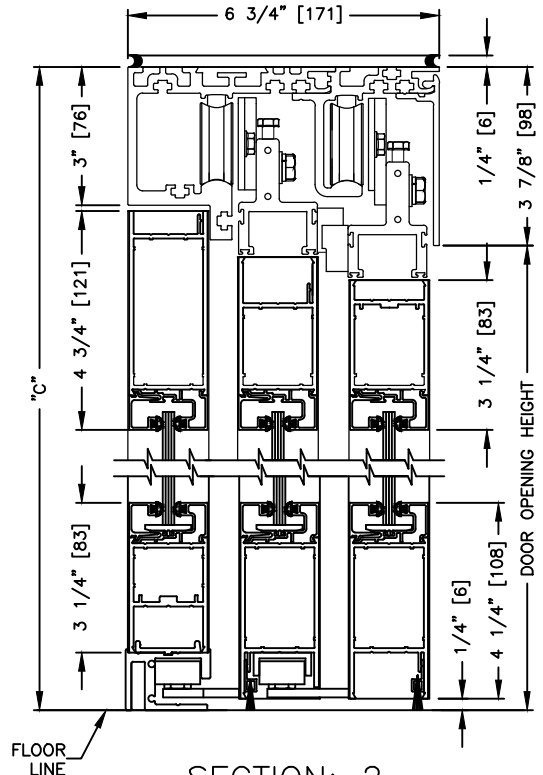
ELEVATION VIEW

SCALE: 1/4" = 1'0"



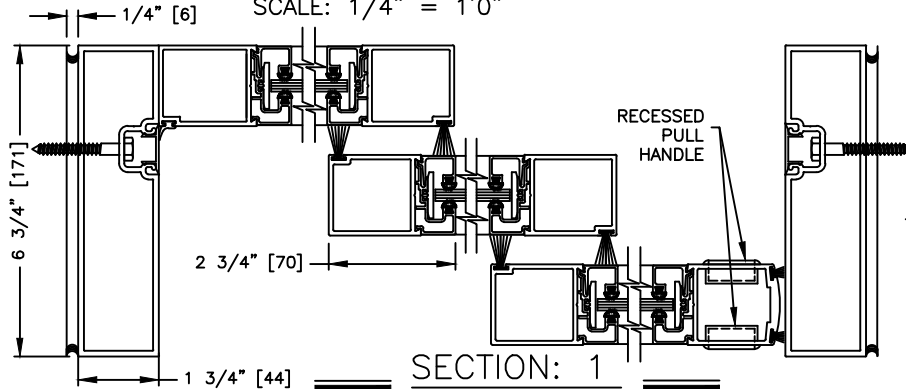
PLAN VIEW

SCALE: 1/4" = 1'0"



SECTION: 2

SCALE: 1/4 SIZE



SECTION: 1

SCALE: 1/4 SIZE

NOTE:

See sheets 59-2.39 thru 59-2.45 for optional muntins, bottom rails, transoms, glazing variations, bottom guides & thresholds.

DIMENSIONS FOR STANDARD NARROW STILE PACKAGES

DOOR OPENING "A"	STD. PACKAGE WIDTH "B"	STD. PACKAGE HEIGHT "C"	DOOR OPENING HEIGHT	MAX OPENING MANUALLY
44-7/8 (1140)	84 (2134)	87 (2210)	83-1/8 (2111)	48-3/8 (1229)
52-7/8 (1343)	96 (2438)	87 (2210)	83-1/8 (2111)	56-3/8 (1432)
60-7/8 (1546)	108 (2743)	87 (2210)	83-1/8 (2111)	64-3/8 (1635)
68-7/8 (1749)	120 (3048)	87 (2210)	83-1/8 (2111)	72-3/8 (1838)
84-7/8 (2156)	144 (3658)	87 (2210)	83-1/8 (2111)	88-3/8 (2245)

Masonry opening is 1/4" (6) per side larger and 1/4" taller than package dimensions. Measurements given in inches (millimeters).