



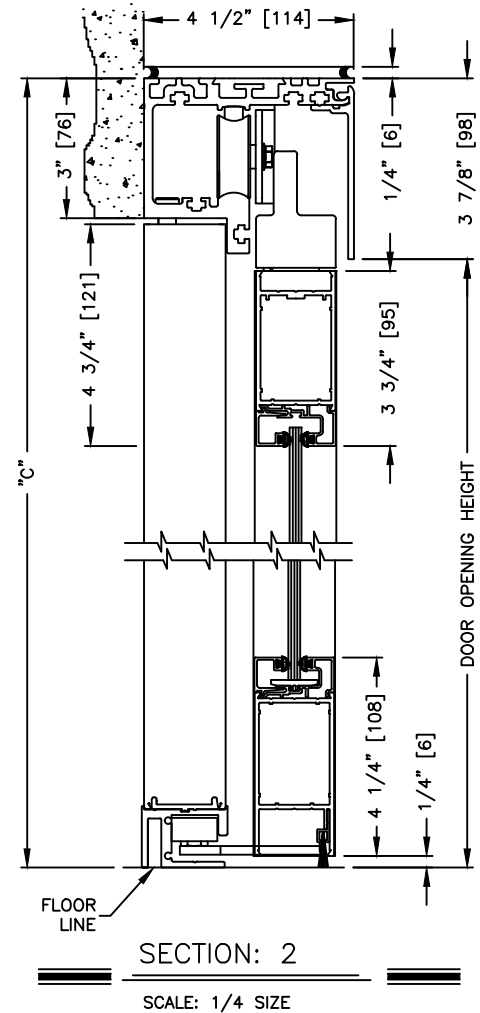
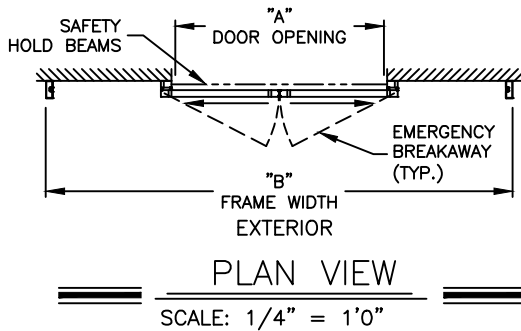
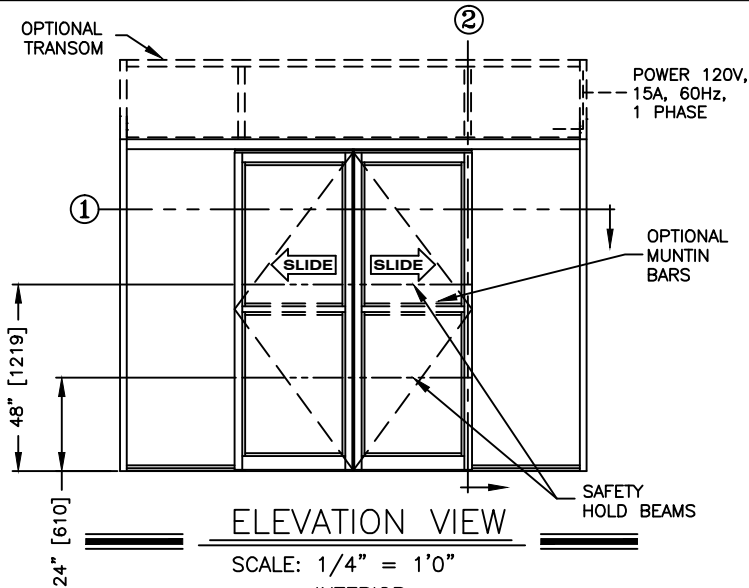
record-usa
4324 PHIL HARGETT CT.
MONROE, NC 28110
(704) 289 - 9212

JOB NAME: _____

5900 SERIES MANUAL SLIDING DOORS

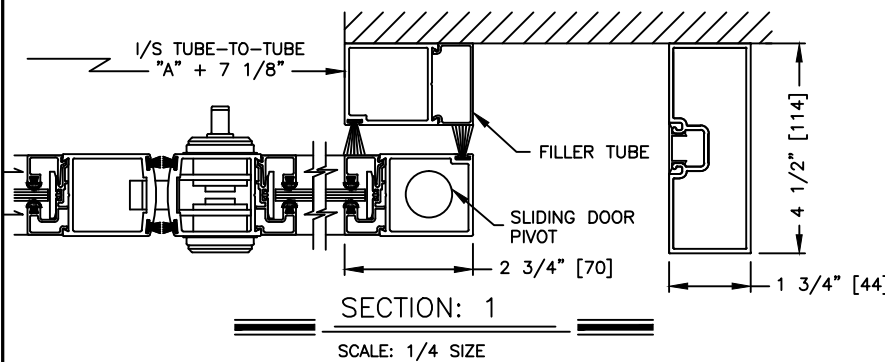
LOCATION: _____

TYPE: 5909-1; P-SX-SX-P, SA BI-PART



NOTE:

See sheets 59-2.39 thru 59-2.45 for optional muntins, bottom rails, transoms, glazing variations, bottom guides & thresholds.



DIMENSIONS FOR STANDARD NARROW STILE PACKAGES

DOOR OPENING "A"	STD. PACKAGE WIDTH "B"	STD. PACKAGE HEIGHT "C"	DOOR OPENING HEIGHT	MAX OPENING MANUALLY
42-5/8 (1083)	108 (2743)	87 (2210)	83-1/8 (2111)	49-5/8 (1260)
48-5/8 (1235)	120 (3048)	87 (2210)	83-1/8 (2111)	55-5/8 (1413)
60-5/8 (1540)	144 (3658)	87 (2210)	83-1/8 (2111)	67-5/8 (1718)
72-5/8 (1845)	168 (4267)	87 (2210)	83-1/8 (2111)	79-5/8 (2022)
84-5/8 (2149)	192 (4877)	87 (2210)	83-1/8 (2111)	91-5/8 (2327)

Masonry opening is 1/4" (6) per side larger and 1/4" taller than package dimensions. Measurements given in inches (millimeters).