

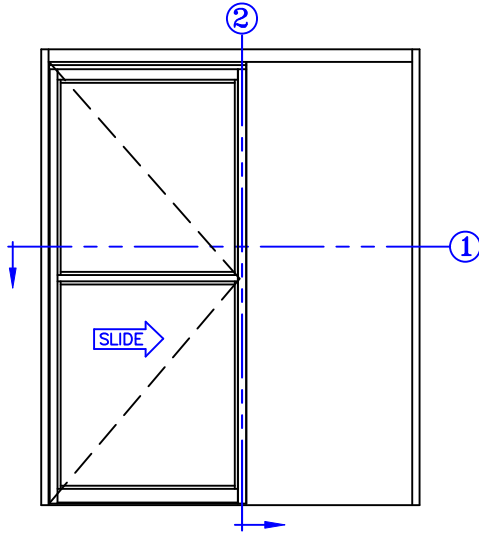


record-usa
4324 PHIL HARGETT
MONROE, NC 28110
(704) 289 - 9212

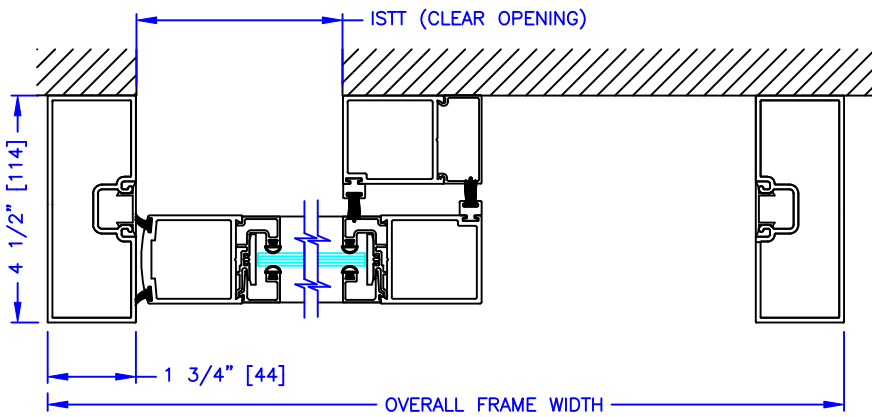
JOB NAME: _____
LOCATION: _____

5900 SERIES MANUAL SLIDING DOORS

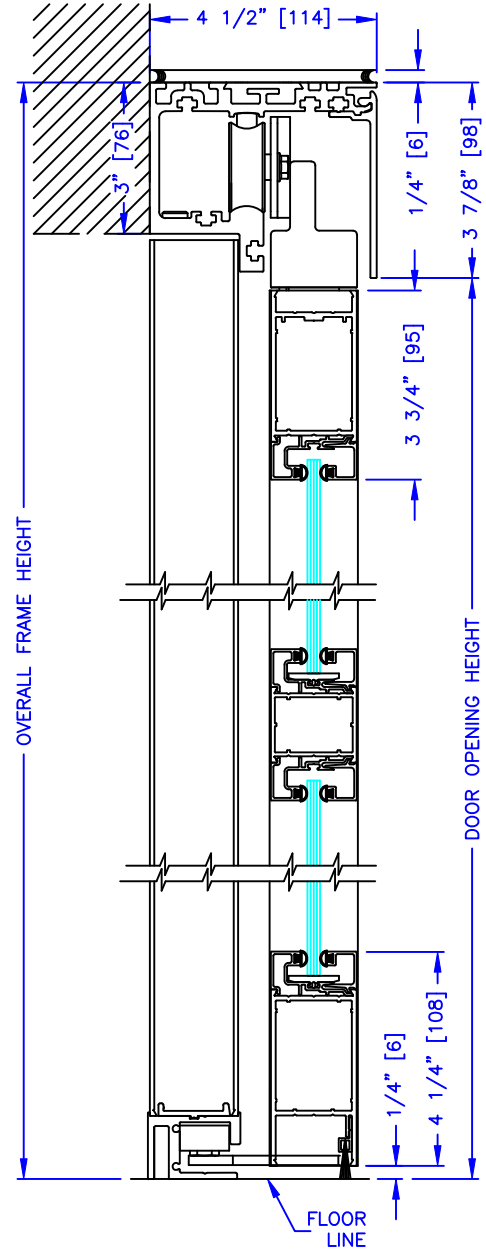
TYPE: 5908-1, SX-P, R.H. SINGLE
SURFACE APPLIED EXTERIOR 59-2.50



ELEVATION VIEW



SECTION: 1
SCALE: 1/4 SIZE



SECTION: 2
SCALE: 1/4 SIZE

NOTE:

1. ALUMINUM FINISH – CLEAR OR DARK BRONZE ANODIZE (VERIFY)
2. GLASS (1/4" CLEAR TEMPERED)
3. SOLID BLOCKING ALONG PACKAGE WIDTH AT THE HEAD BY OTHERS.
4. FLOOR CLIPS KEEP JAMB PLUMB. (F&I BY DCI)