



record-usa
4324 PHIL HARGETT
MONROE, NC 28110
(704) 289 - 9212

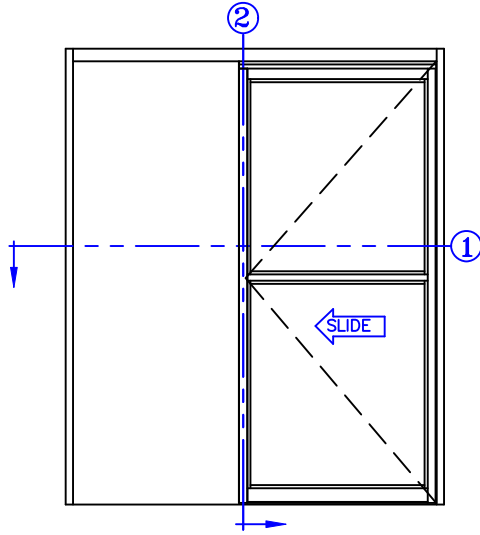
JOB NAME: _____

LOCATION: _____

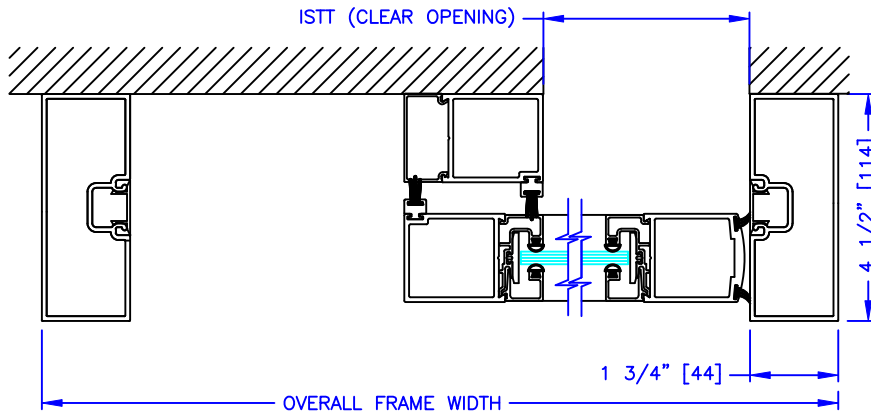
5900 SERIES MANUAL SLIDING DOORS

TYPE: 5907-1, SX-P, L.H. SINGLE
SURFACE APPLIED EXTERIOR

59-2.49

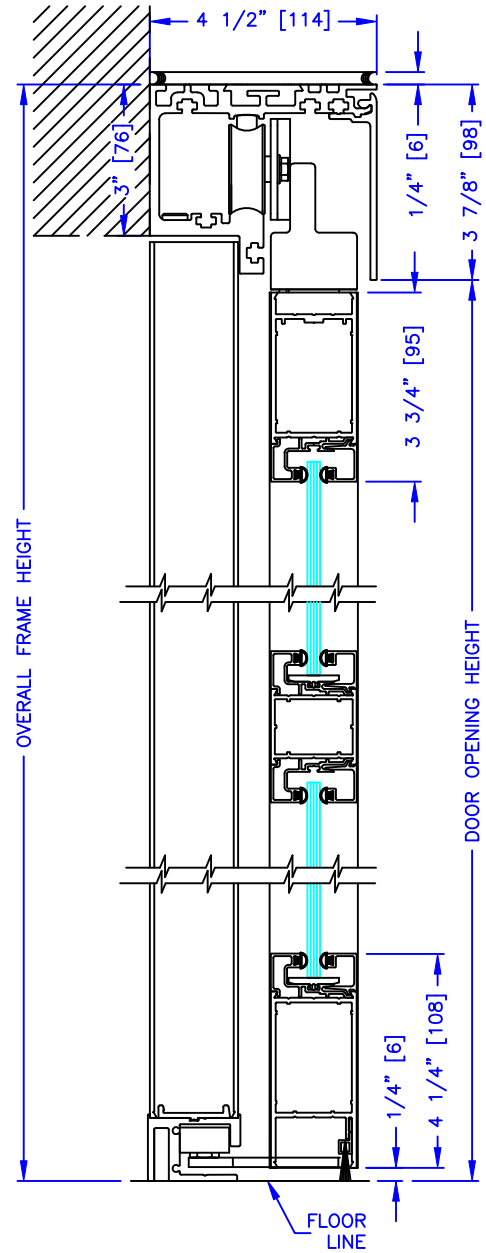


ELEVATION VIEW



SECTION: 1

SCALE: 1/4 SIZE



SECTION: 2

SCALE: 1/4 SIZE

NOTE:

1. ALUMINUM FINISH - CLEAR OR DARK BRONZE ANODIZE (VERIFY)
2. GLASS (1/4" CLEAR TEMPERED)
3. SOLID BLOCKING ALONG PACKAGE WIDTH AT THE HEAD BY OTHERS.
4. FLOOR CLIPS KEEP JAMB PLUMB. (F&I BY DCI)