

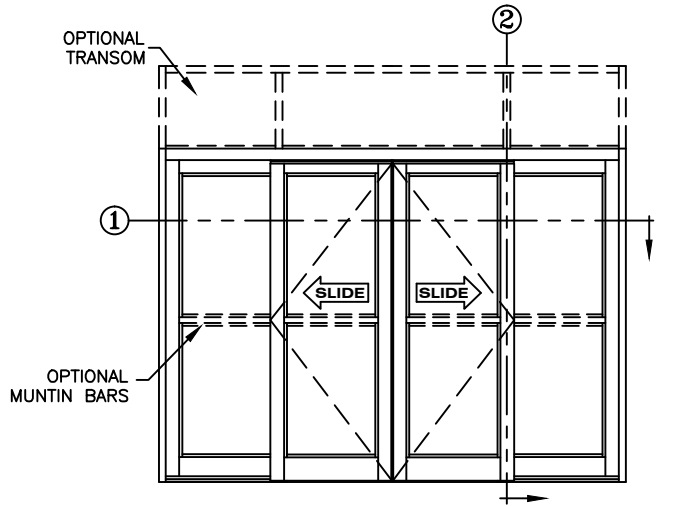


record-usa
4324 PHIL HARGETT CT.
MONROE, NC 28110
(704) 289 - 9212

JOB NAME: _____
LOCATION: _____

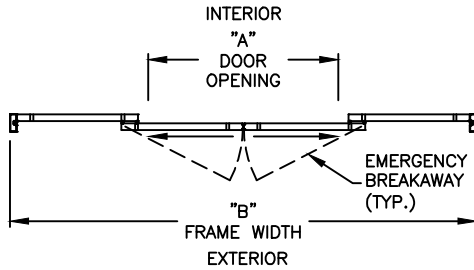
5900 SERIES MANUAL SLIDING DOORS

TYPE: 5903-2, 0-SX-SX-0, BI-PART
MEDIUM STILE
PAGE 59-2.32



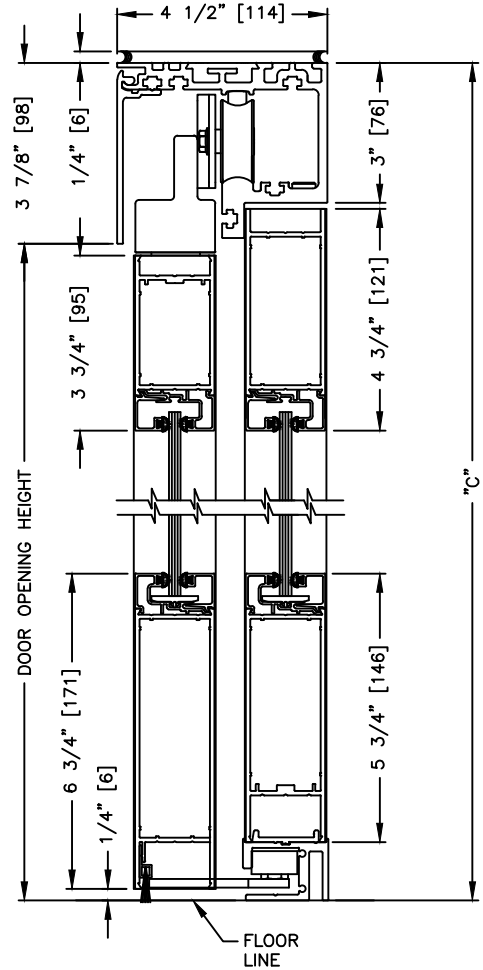
ELEVATION VIEW

SCALE: 1/4" = 1'0"



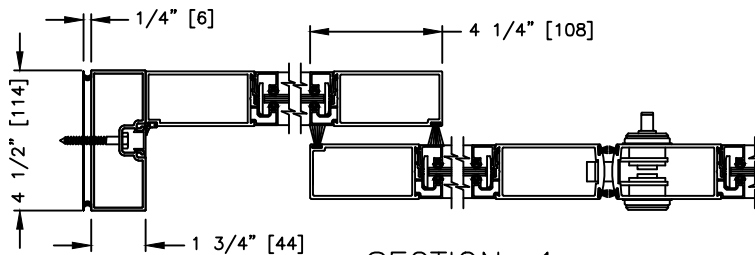
PLAN VIEW

SCALE: 1/4" = 1'0"



SECTION: 2

SCALE: 1/4 SIZE



SECTION: 1

SCALE: 1/2" = 1'0"

NOTE:

See sheets 59-2.39 thru 59-2.45 for optional muntins, bottom rails, transoms, glazing variations, bottom guides & thresholds.

* FIXED PANEL HEIGHT SHOWN IS FOR UNITS W/O THRESHOLD. FOR UNITS W/THRESHOLD, FIXED PANEL HEIGHT IS 82-1/16" [2084].

DIMENSIONS FOR STANDARD MEDIUM STILE PACKAGES

DOOR OPENING "A"	STD. PACKAGE WIDTH "B"	STD. PACKAGE HEIGHT "C"	DOOR OPENING HEIGHT	MAX OPENING MANUALLY
38-1/8 (968)	108 (2743)	87 (2210)	83-1/8 (2111)	48-1/8 (1222)
44-1/8 (1121)	120 (3048)	87 (2210)	83-1/8 (2111)	54-1/8 (1357)
56-1/8 (1426)	144 (3658)	87 (2210)	83-1/8 (2111)	66-1/8 (1680)
68-1/8 (1730)	168 (4267)	87 (2210)	83-1/8 (2111)	78-1/8 (1984)
80-1/8 (2035)	192 (4877)	87 (2210)	83-1/8 (2111)	90-1/8 (2289)

Masonry opening is 1/4" (6) per side larger and 1/4" taller than package dimensions. Measurements given in inches (millimeters).