

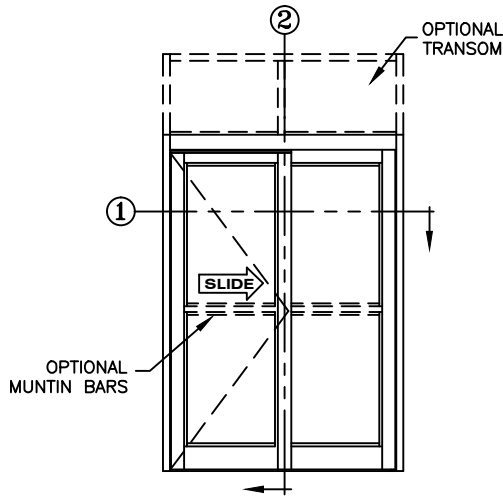


record-usa
 4324 PHIL HARGETT CT.
 MONROE, NC 28110
 (704) 289 - 9212

JOB NAME: _____
 LOCATION: _____

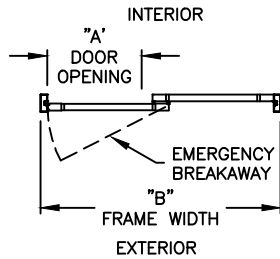
5900 SERIES MANUAL SLIDING DOORS

TYPE: 5902-2, SX-0, R.H. SINGLE
 MEDIUM STILE
 PAGE 59-2.31

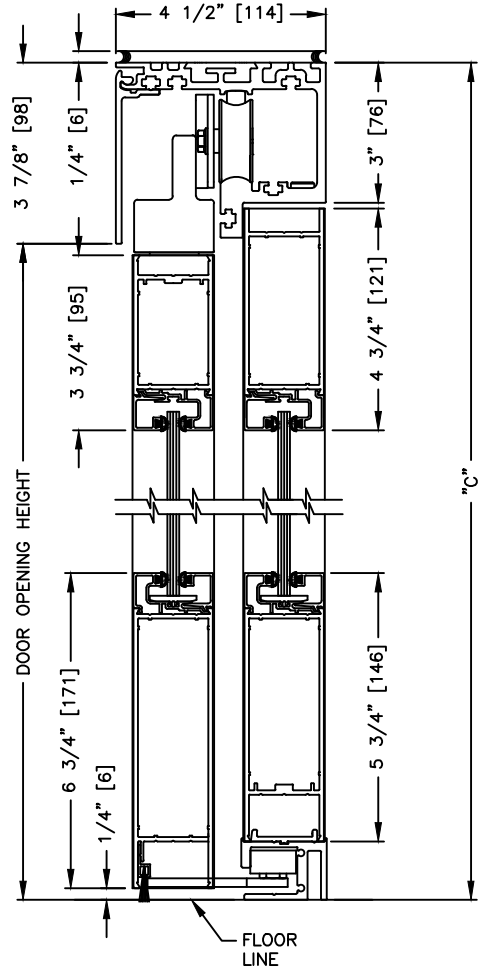


ELEVATION VIEW

SCALE: 1/4" = 1'0"

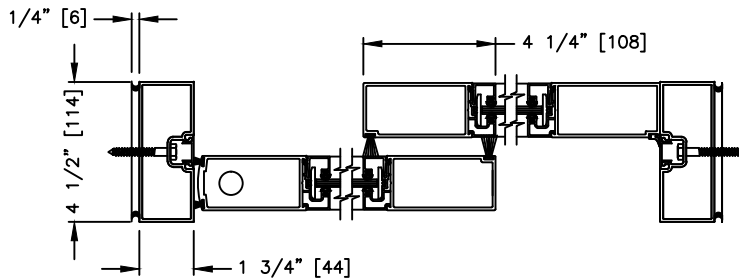


PLAN VIEW



SECTION: 2

SCALE: 1/4 SIZE



SECTION: 1

SCALE: 1/4 SIZE

NOTE:

See sheets 51-2.77 thru 51-2.82 for optional muntins, bottom rails, transoms, glazing variations, bottom guides & thresholds.

DIMENSIONS FOR STANDARD MEDIUM STILE PACKAGES

DOOR OPENING "A"	STD. PACKAGE WIDTH "B"	STD. PACKAGE HEIGHT "C"	DOOR OPENING HEIGHT	MAX OPENING MANUALLY
33-3/16 (843)	84 (2134)	87 (2210)	83-1/8 (2111)	38-3/16 (970)
39-3/16 (995)	96 (2438)	87 (2210)	83-1/8 (2111)	44-3/16 (1122)
42-3/16 (1072)	102 (2591)	87 (2210)	83-1/8 (2111)	47-3/16 (1199)
45-3/16 (1148)	108 (2743)	87 (2210)	83-1/8 (2111)	50-3/16 (1275)

Masonry opening is 1/4" (6) per side larger and 1/4" taller than package dimensions. Measurements given in inches (millimeters).