

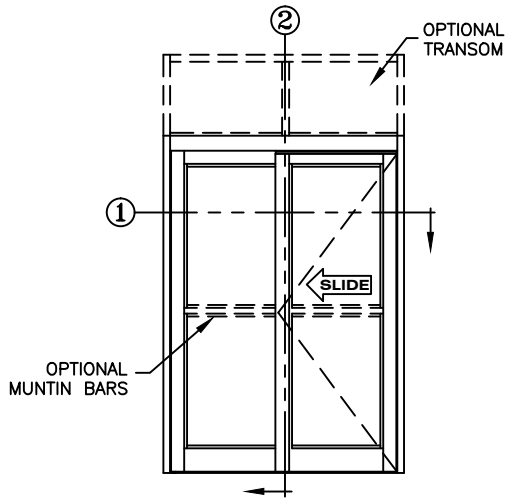


**record-usa**  
4324 PHIL HARGETT CT.  
MONROE, NC 28110  
(704) 289 - 9212

JOB NAME: \_\_\_\_\_  
LOCATION: \_\_\_\_\_

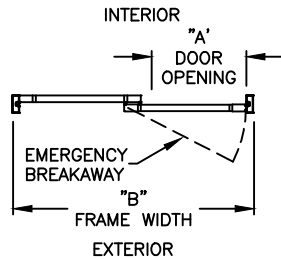
**5900 SERIES MANUAL SLIDING DOORS**

TYPE: 5901-2, 0-SX, L.H. SINGLE  
MEDIUM STILE  
PAGE 59-2.30

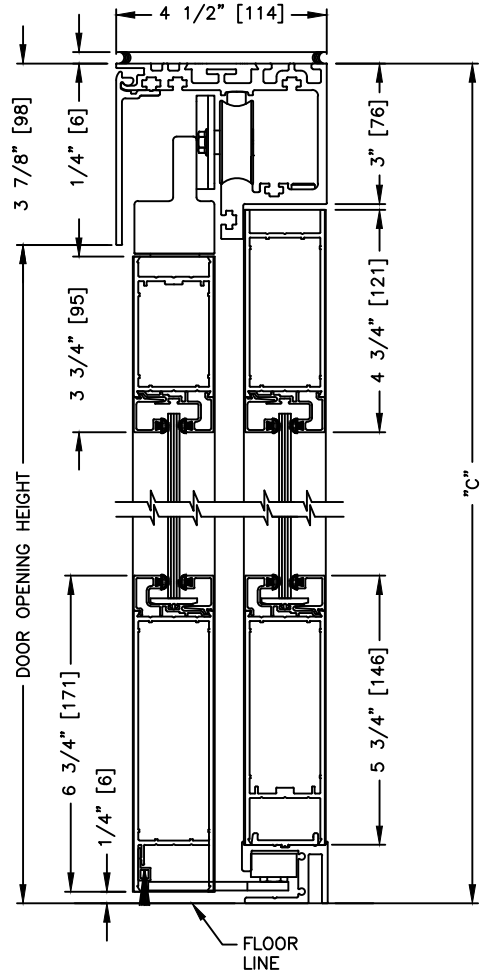


**ELEVATION VIEW**

SCALE: 1/4" = 1'0"

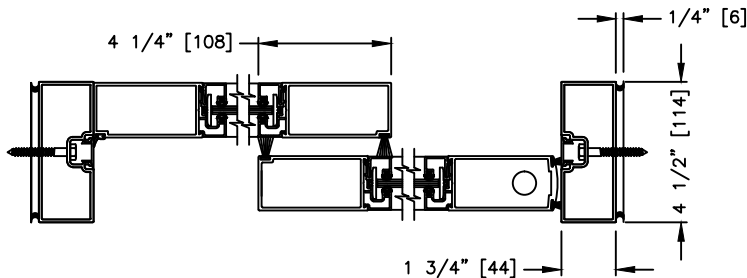


**PLAN VIEW**



**SECTION: 2**

SCALE: 1/4 SIZE



**SECTION: 1**

SCALE: 1/4 SIZE

**NOTE:**

See sheets 59-2.39 thru 59-2.45 for optional muntins, bottom rails, transoms, glazing variations, bottom guides & thresholds.

**DIMENSIONS FOR STANDARD MEDIUM STILE PACKAGES**

DOOR OPENING "A"	STD. PACKAGE WIDTH "B"	STD. PACKAGE HEIGHT "C"	DOOR OPENING HEIGHT	MAX OPENING MANUALLY
33-3/16 (843)	84 (2134)	87 (2210)	83-1/8 (2111)	38-3/16 (970)
39-3/16 (995)	96 (2438)	87 (2210)	83-1/8 (2111)	44-3/16 (1122)
42-3/16 (1072)	102 (2591)	87 (2210)	83-1/8 (2111)	47-3/16 (1199)
45-3/16 (1148)	108 (2743)	87 (2210)	83-1/8 (2111)	50-3/16 (1275)

Masonry opening is 1/4" (6) per side larger and 1/4" taller than package dimensions. Measurements given in inches (millimeters).