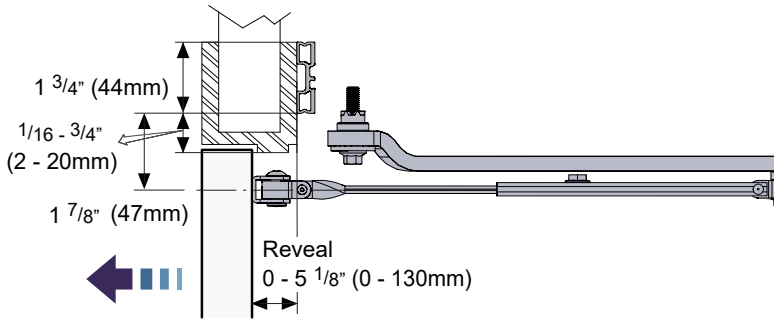


# 1. Determine the Door Hand (Push Instructions)



Installation Video QR

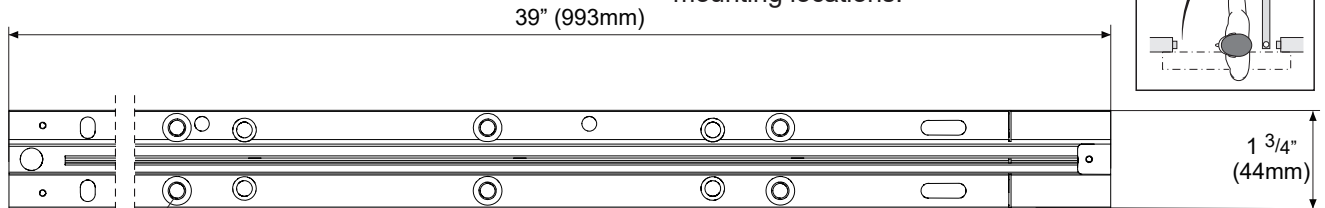
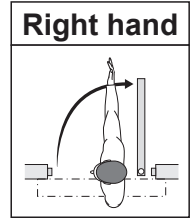


Note! If vertical dimensions exceed as shown, see installation manual for spindle extension requirements.

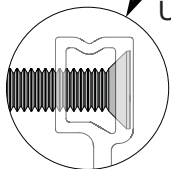


# 2. Mount the Backplate

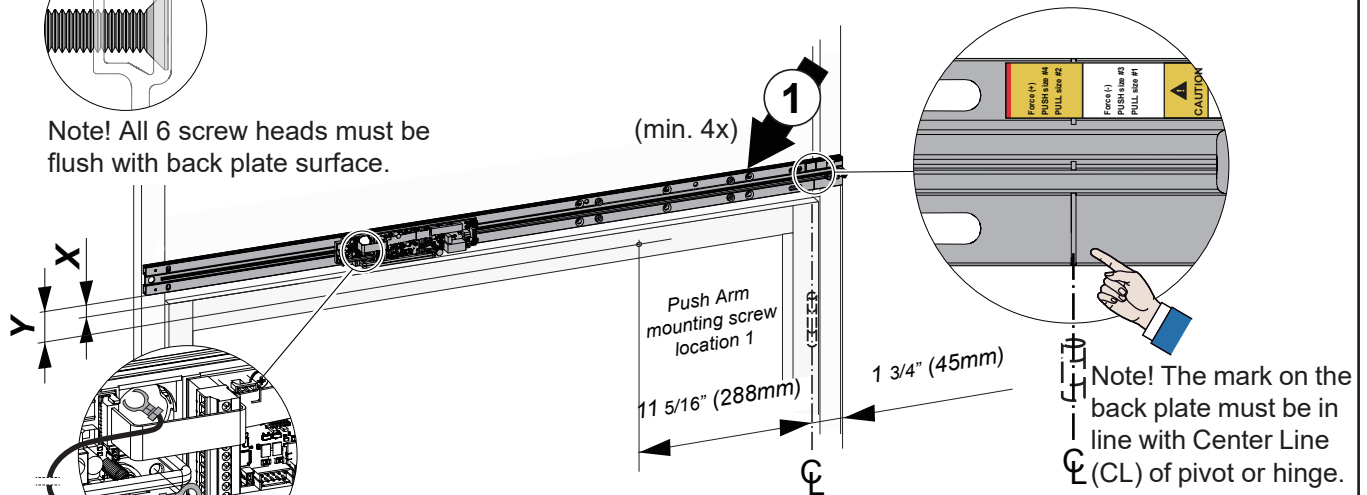
Use backplate as a template to mark mounting locations.



Use appropriate hardware for your application.



Note! All 6 screw heads must be flush with back plate surface.

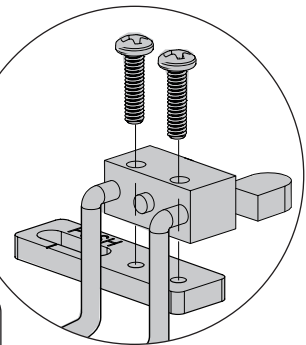
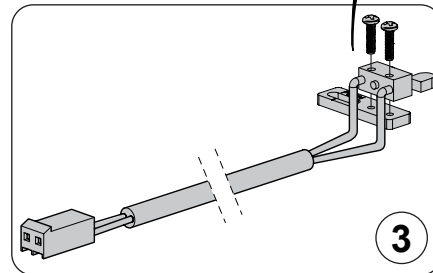
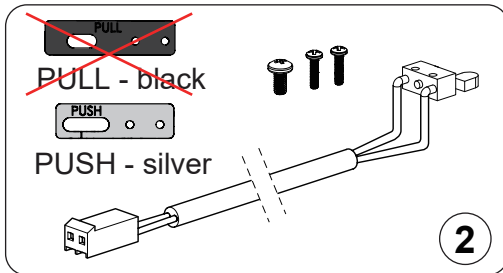


Note! The mark on the back plate must be in line with Center Line (CL) of pivot or hinge.

Note! The back plate should be electrically grounded, if not, you have to use the ground wire to make it grounded.

# 3. Mount the Lock kick (Optional)

**!** Note! Install lock kick for all fire-rated doors.



1 (16)

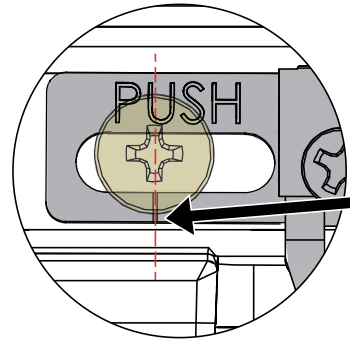
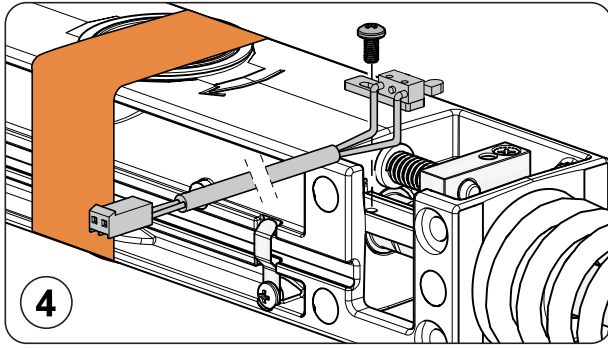


Quick Start  
Record HA7

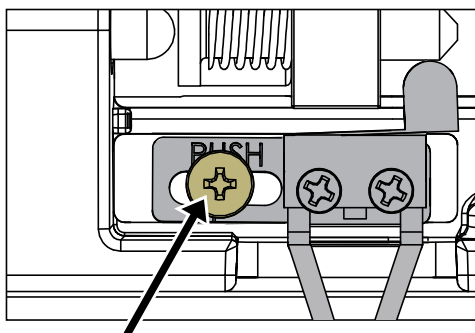
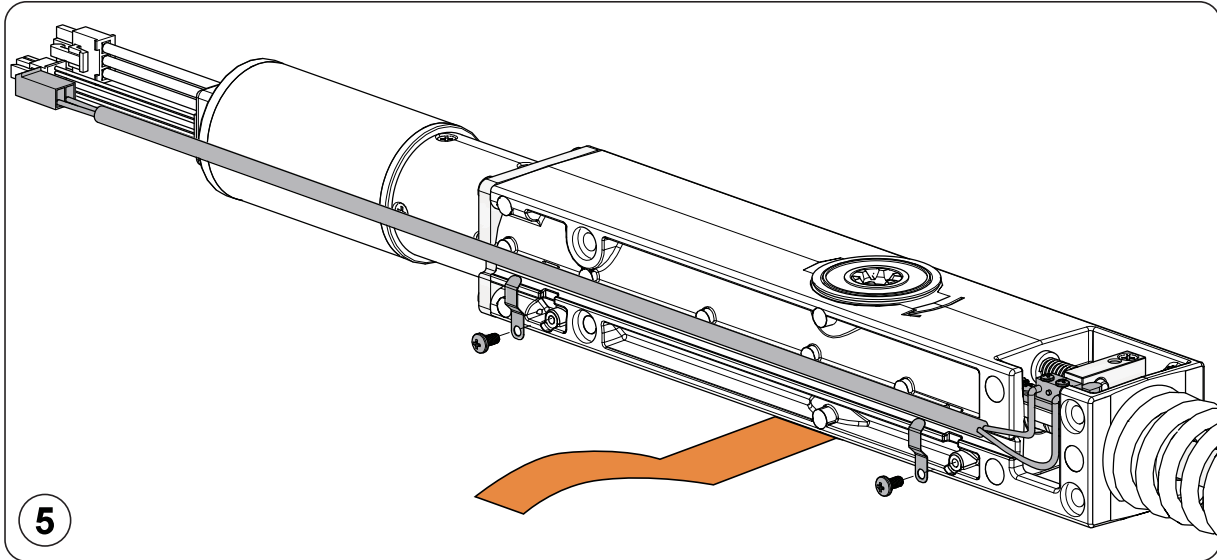


4.0

1020878-EN-US

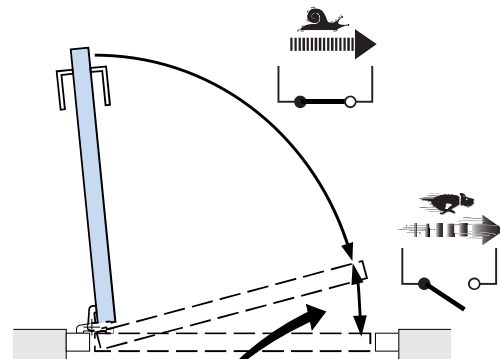


Refer to the picture for recommended location of lock kick.



Unscrew this screw to move the lock kick and adjust angle of lock kick.

$\longleftrightarrow$   
 +                      -  
 Max.                  Min.

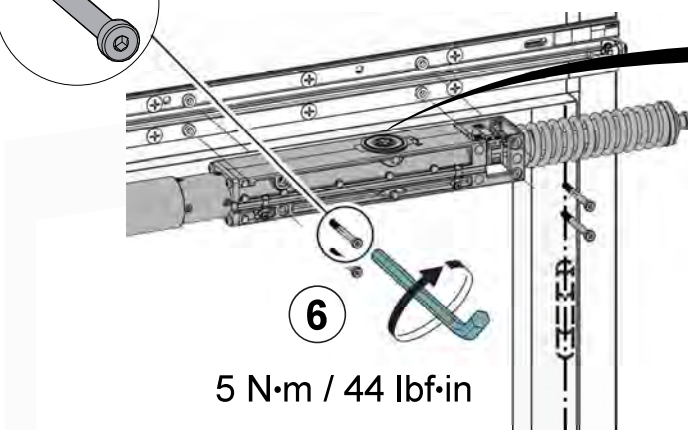


Angle of lock kick +/-

#### 4. Mount the Operator

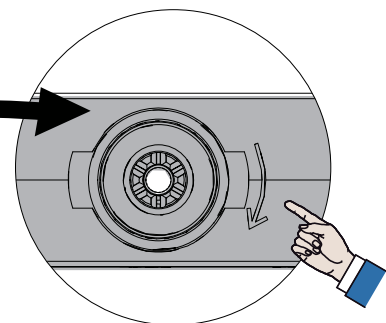


M5x55 (4x)



6

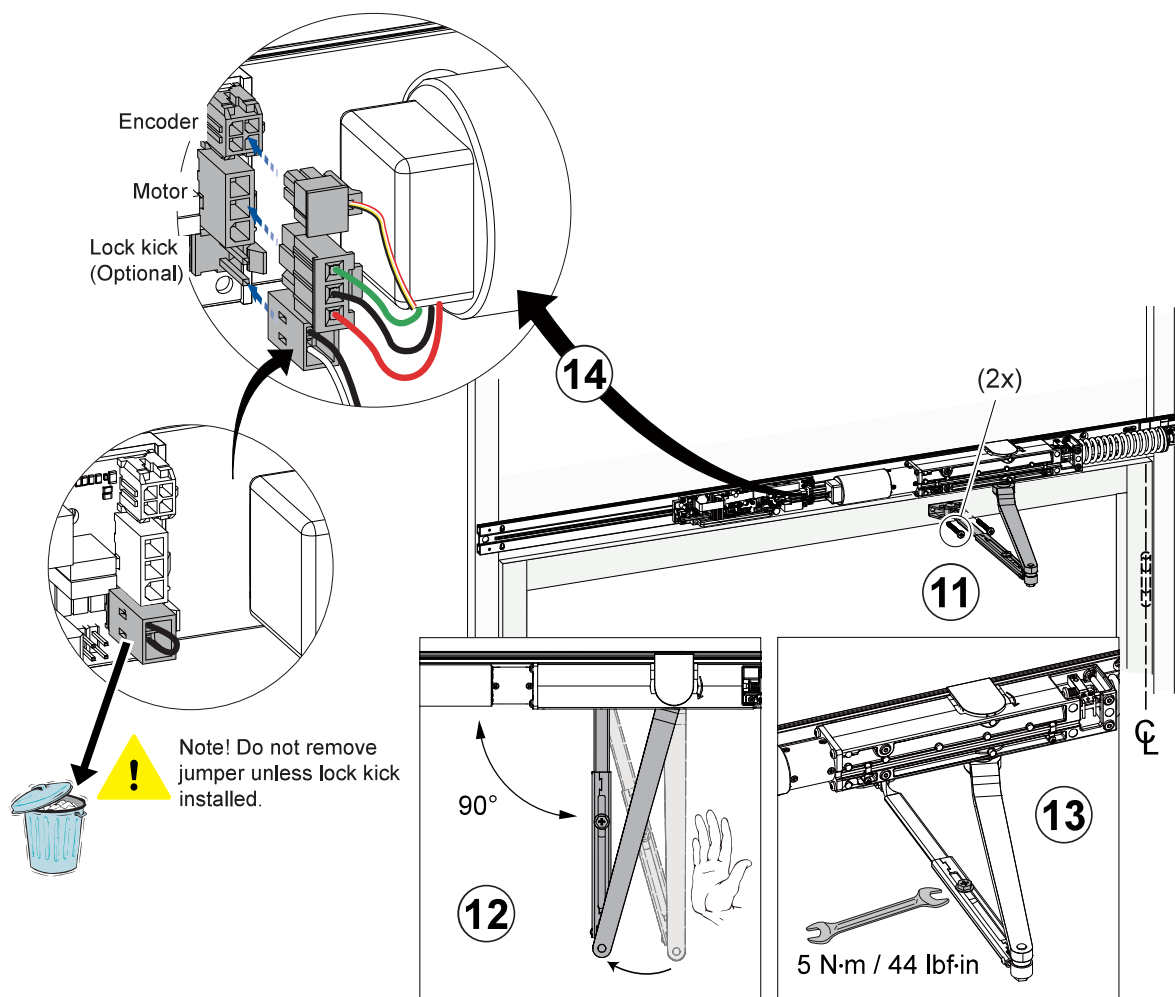
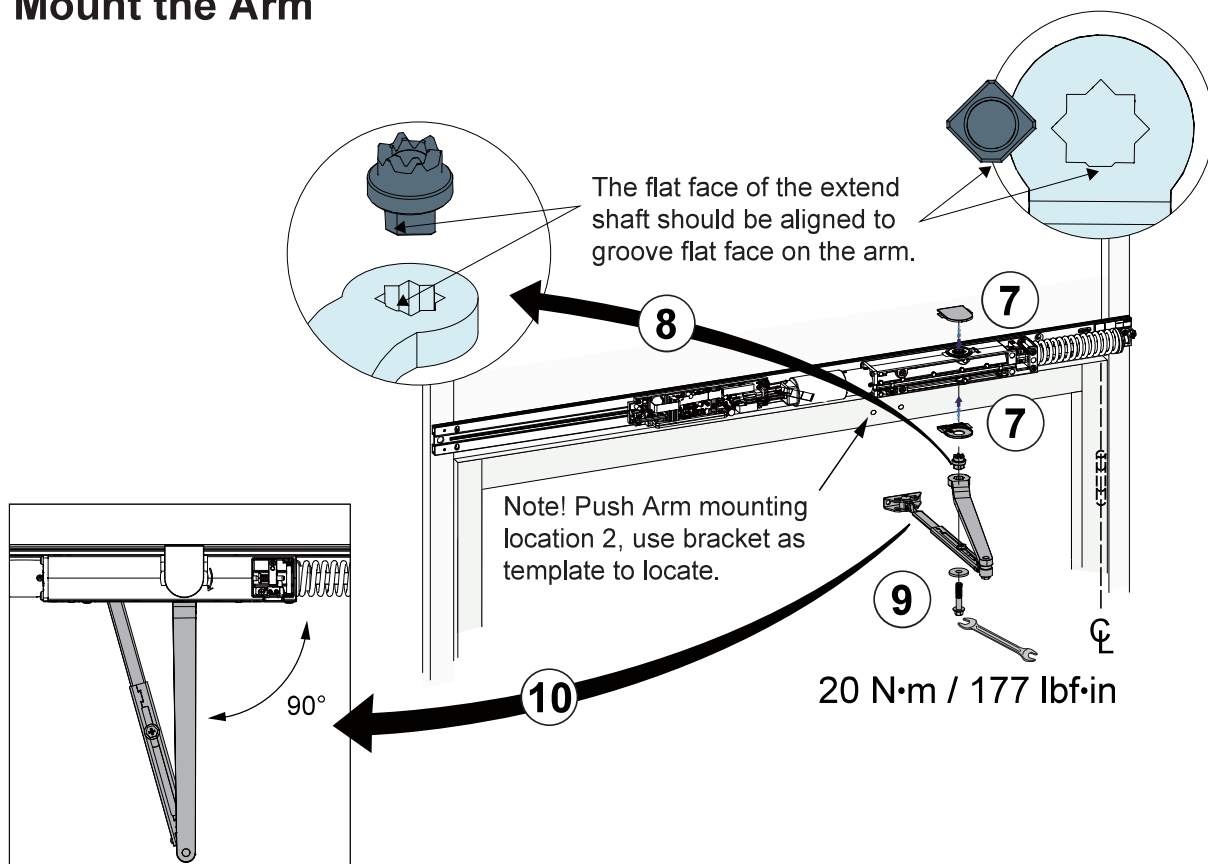
5 N·m / 44 lbf·in



Note! The direction of the arrow on the operator should be same as the direction of the door opening.



## 5. Mount the Arm



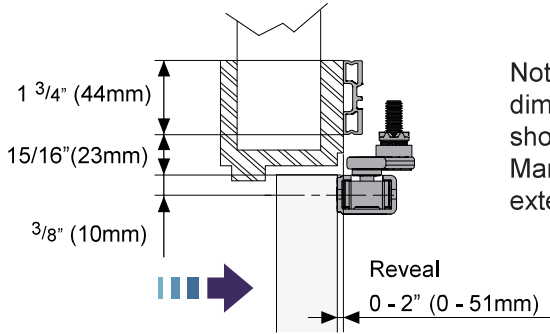
Note! This portion of the mechanical (push) installation is complete. Move to page 7 to complete app and door setup.





Installation Video QR

# 1. Determine the Door Hand (Pull Instructions)



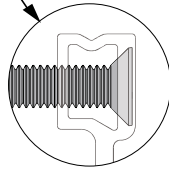
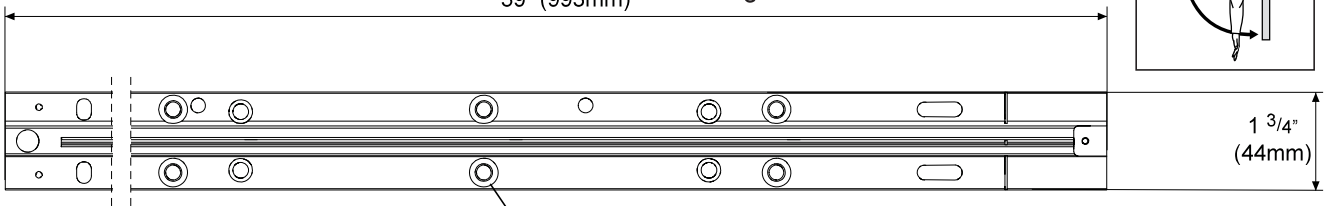
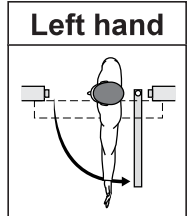
Note! If vertical dimensions exceed as shown, see Installation Manual for spindle extension requirements.



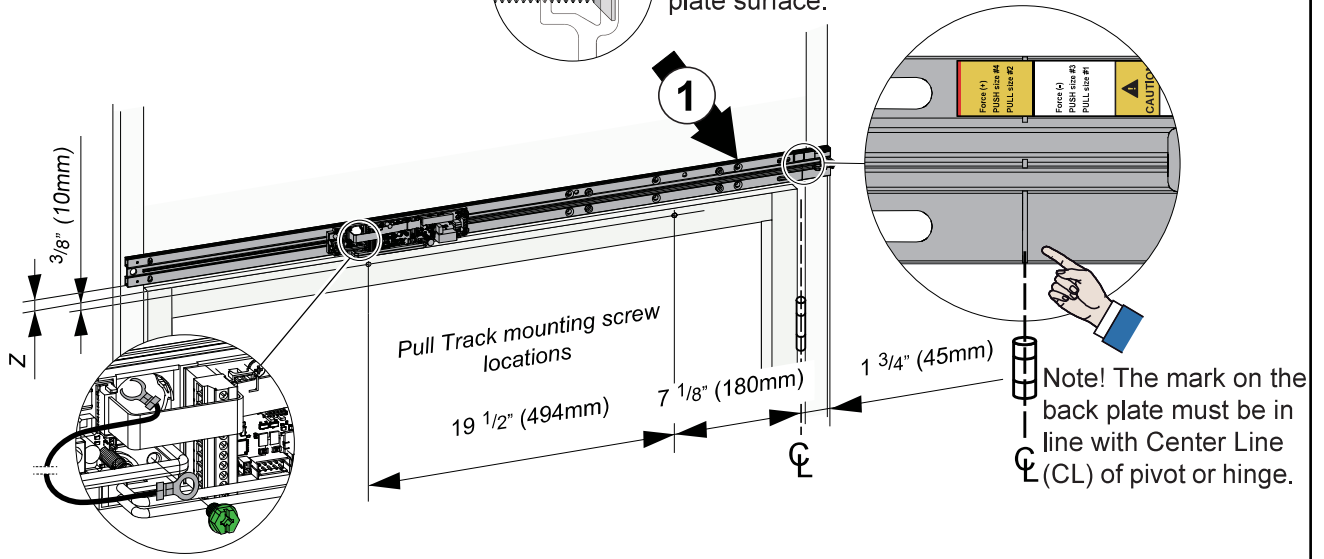
**!** Note! Arm sliding track must be mounted at the top of the door and the back plate at the Z-measurement from top of the door.

# 2. Mount the Backplate

Use backplate as a template to mark mounting locations.



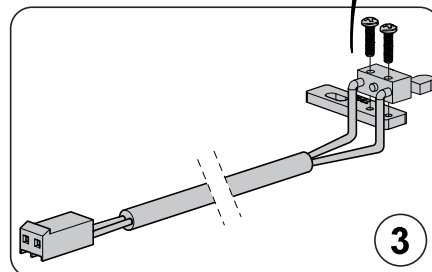
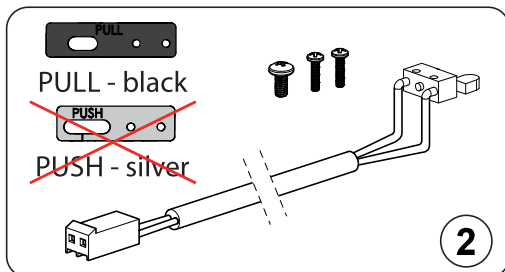
Note! All 6 screw heads must be flush with back plate surface.

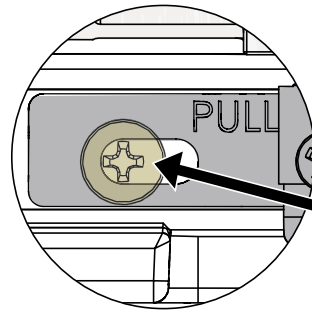
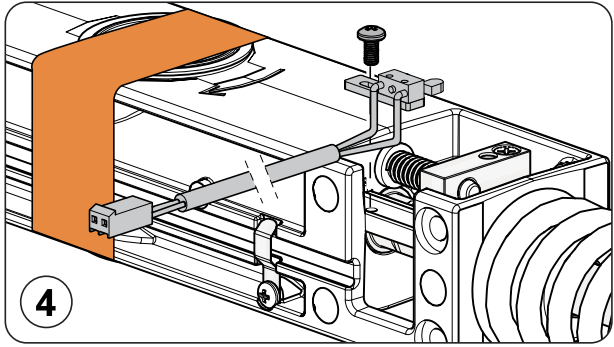


Note! The back plate should be electrically grounded, if not, you have to use the ground wire to make it grounded.

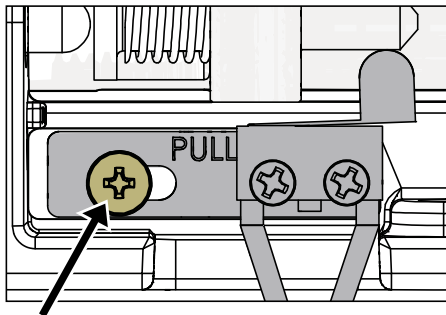
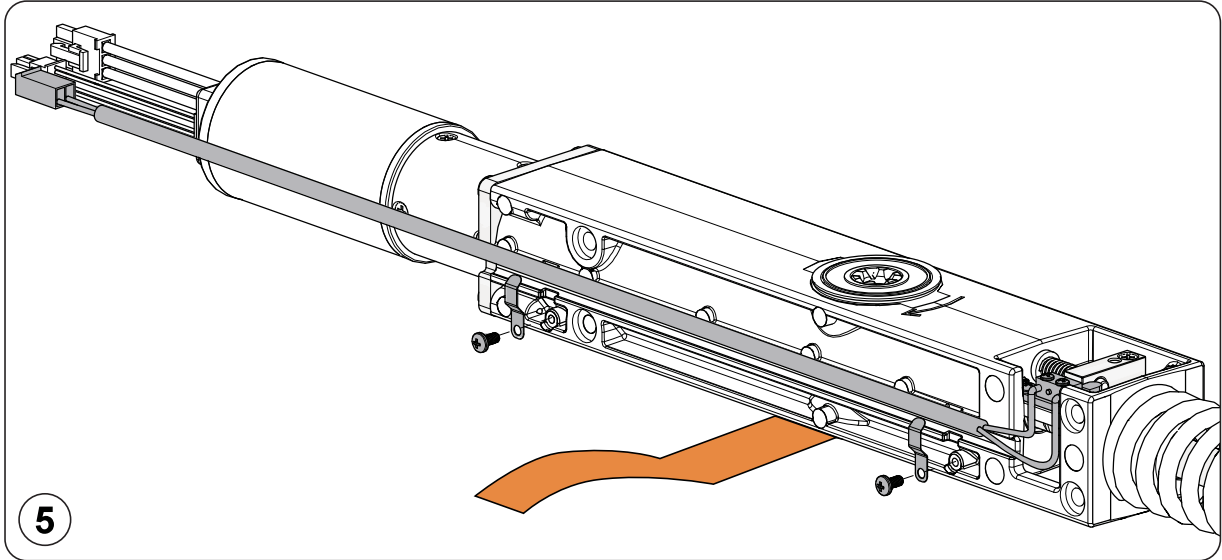
# 3. Mount the Lock kick (Optional)

**!** Note! Install lock kick for all fire-rated doors.



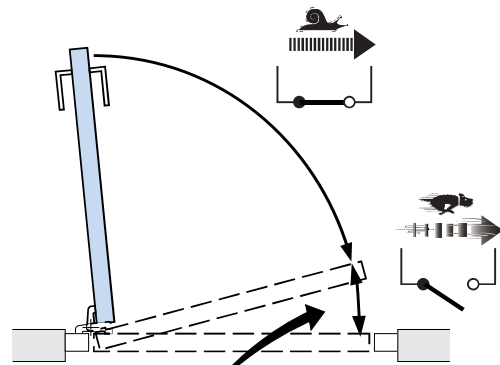


Refer to the picture for recommended location of lock kick.



Unscrew this screw to move the lock kick and adjust angle of lock kick.

Max. Min.

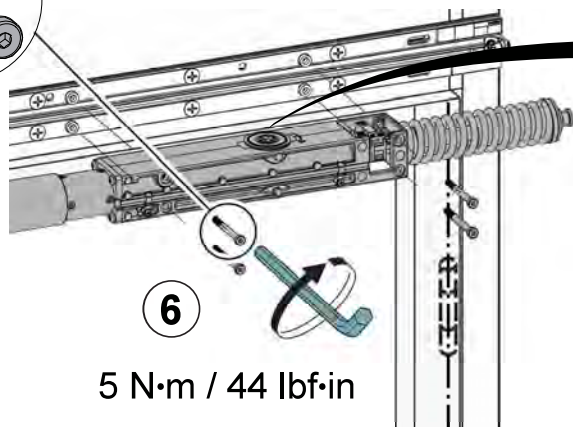


Angle of lock kick +/-

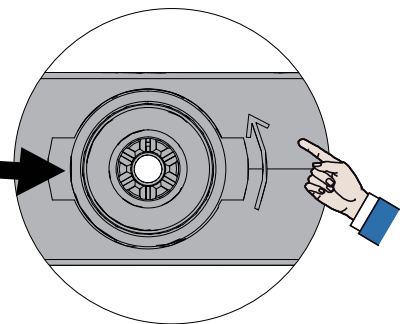
## 4. Mount the Operator



M5x55 (4x)

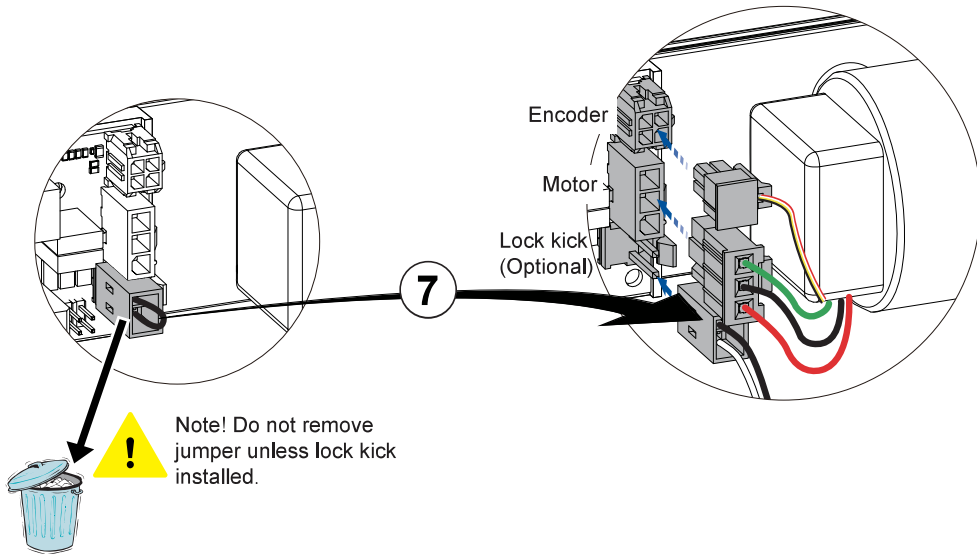


5 N·m / 44 lbf·in

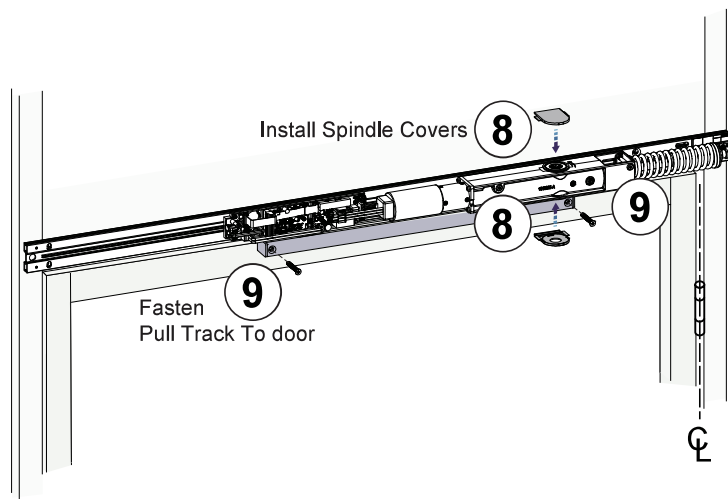


Note! The direction of the arrow on the operator should be same as the direction of the door opening.





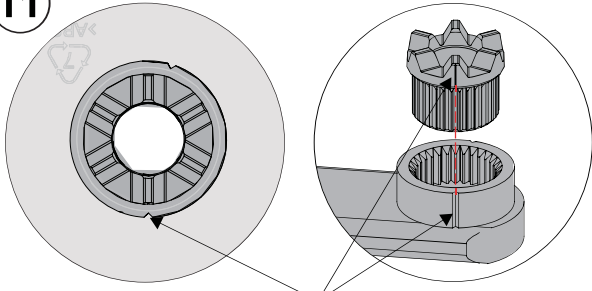
## 5. Mount the Arm



**10** Open the door 90+ degrees. After the operator & pull track mounted.



11

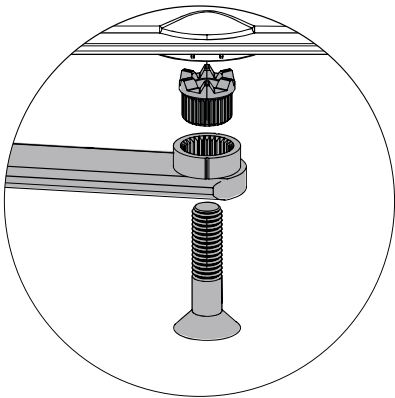


When reveal = 0

Note! Review video for additional instruction.



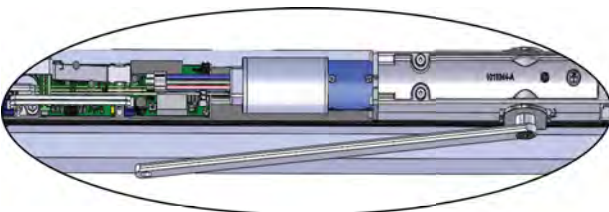
Align spindle to arm using the marking reference.



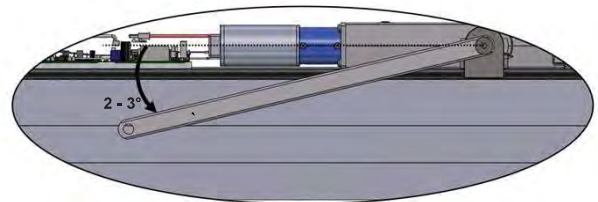
After aligning the spindle to arm, proceed to joint the assembly with the operator.



Remember to secure assembly with the bolt.



Push the arm with angle 2 - 3° to get pre-tension, but don't exceed.



When connecting arm to spindle ensure the arm angle is 2-3° under frame with door already opened.

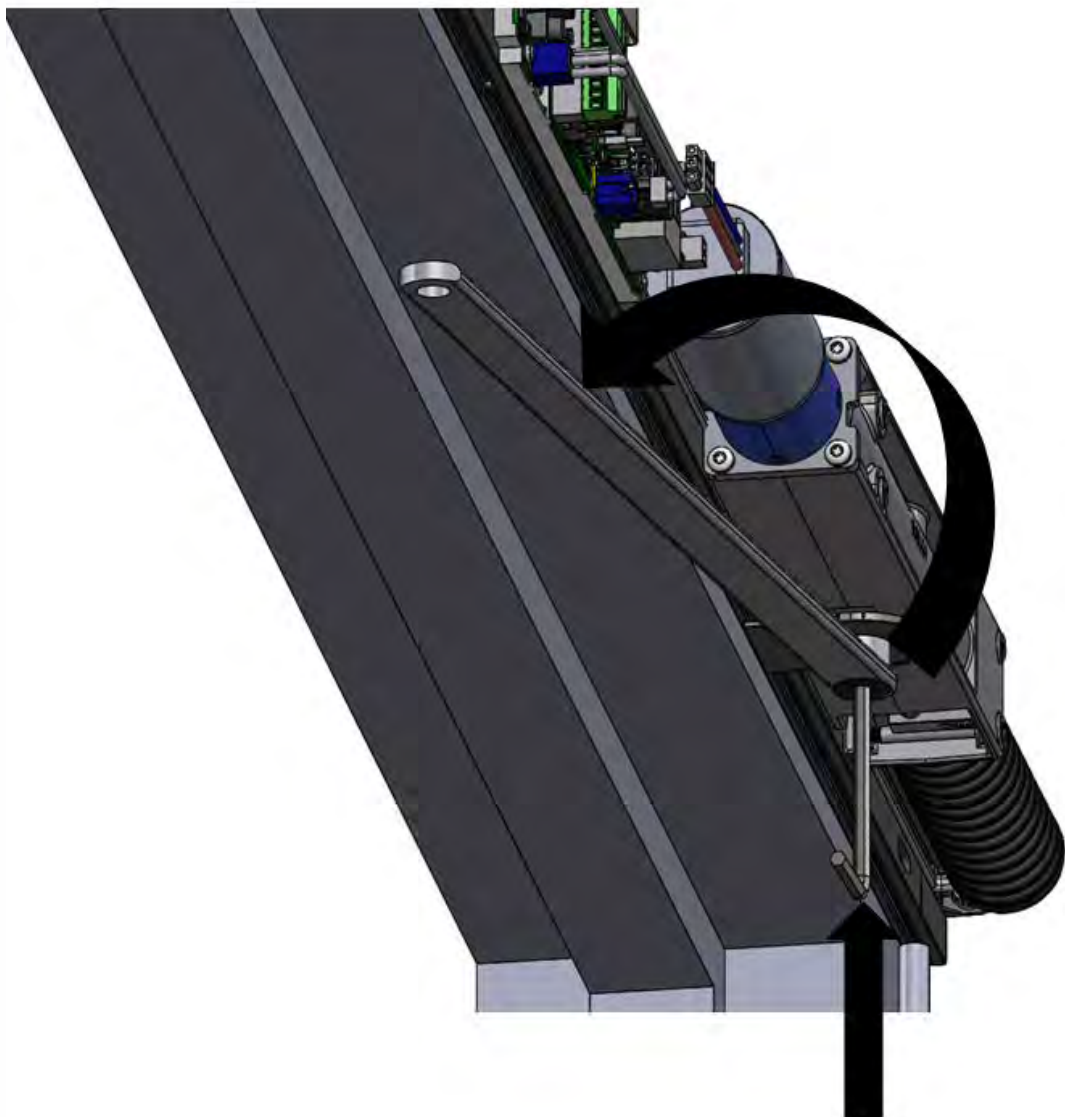


12

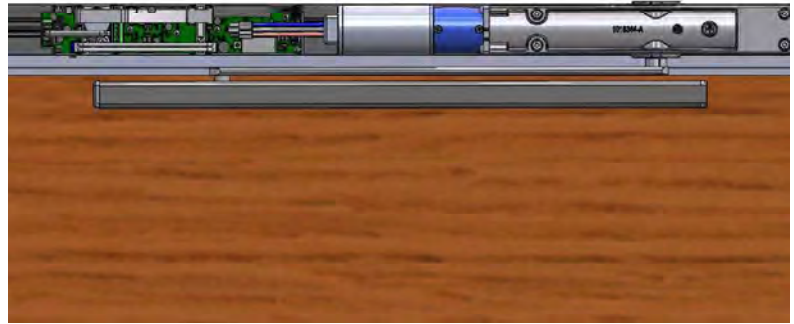
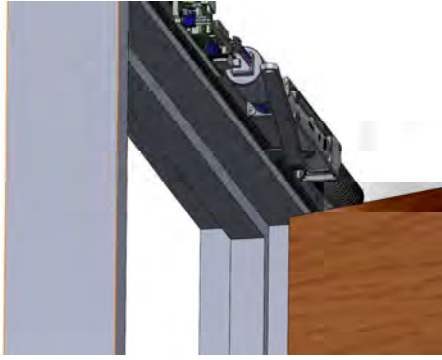


20 N·m / 177 lbf·in

With the help of the Allen Key, proceed to tighten the bolt inside the arm-spindle assembly to operator.

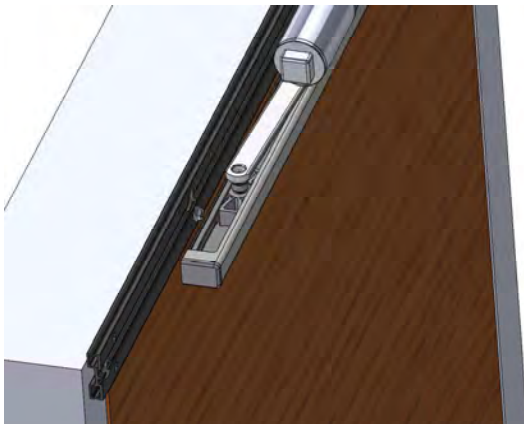




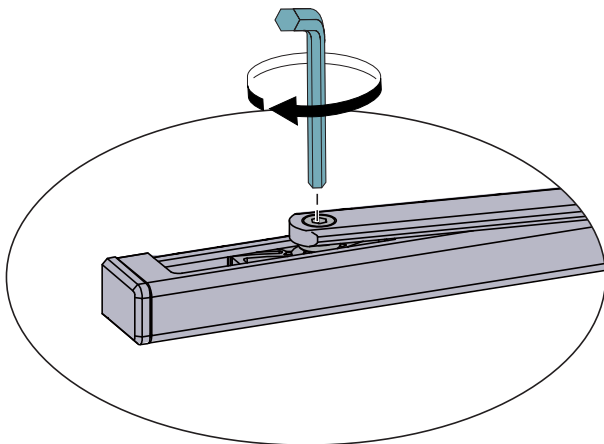


Manually pull arm and close the door to proceed with the next step "place it on pull track roller".

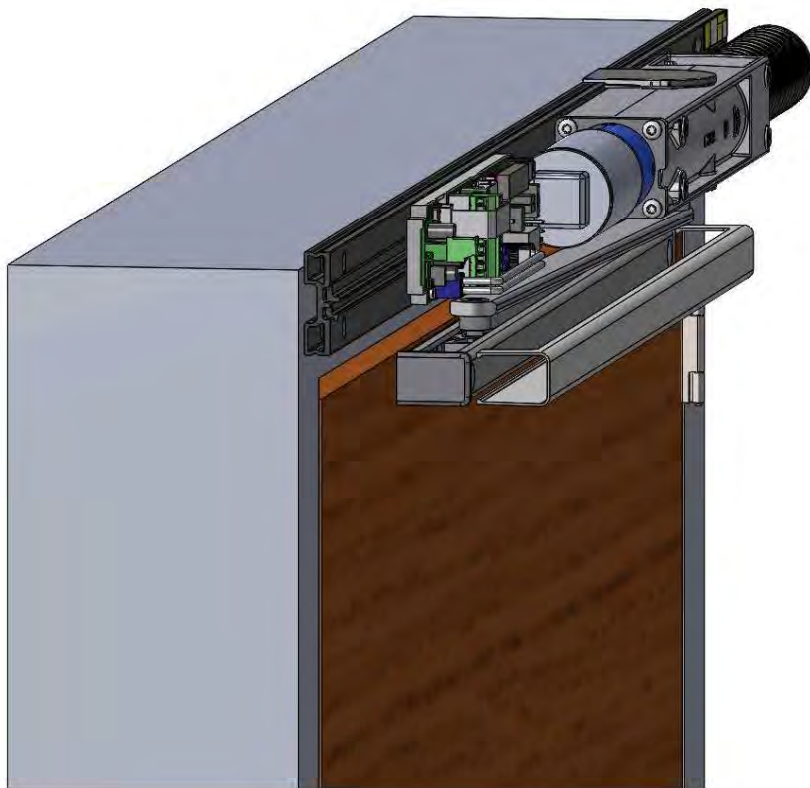
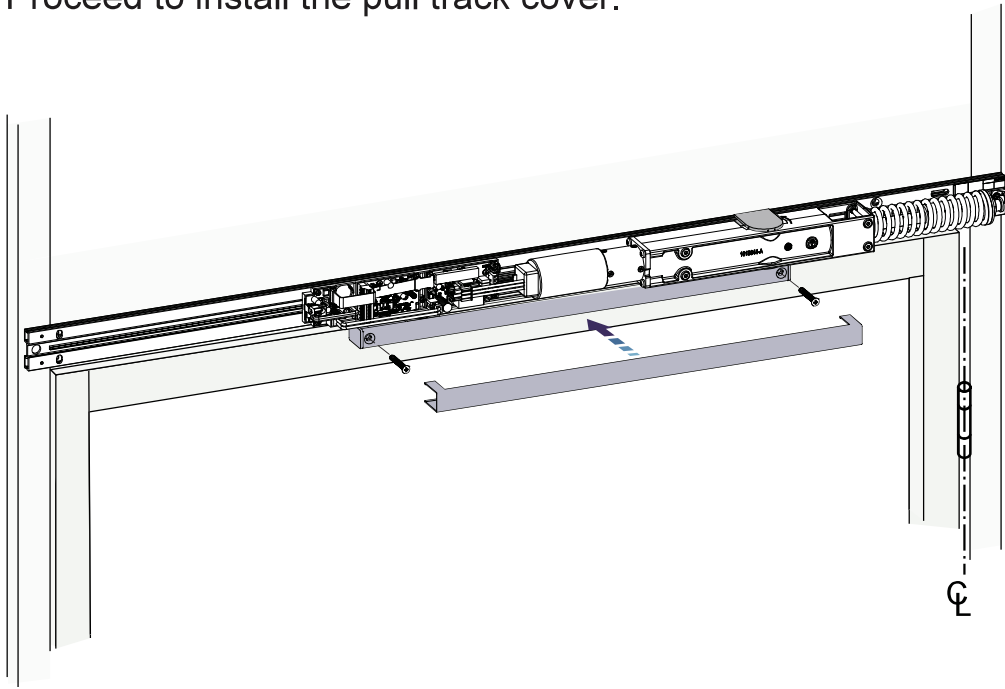
13



Place the arm on pull track roller and proceed with the tightening to end the arm mounting.



Proceed to install the pull track cover.



## 6. App Install / Set-up

Note! An external door stop is to be installed to prevent the door from over travel.  
Operational range is from 0 - 110°.

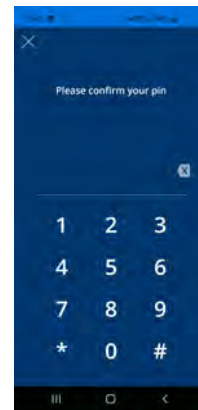
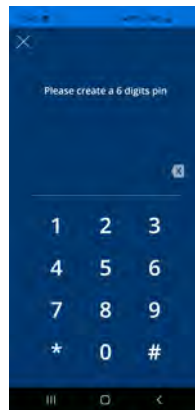
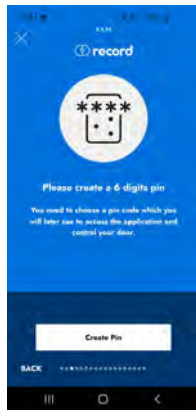
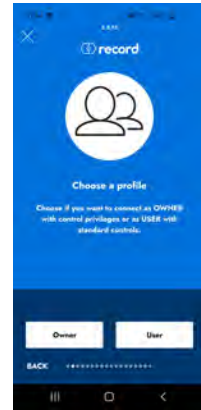
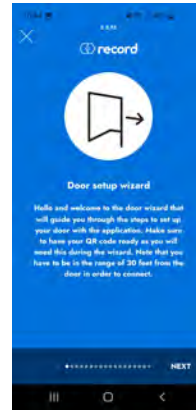
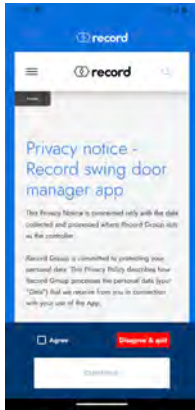
### 1 Install the app

Download the app **Record Swing Door Manager** at **Apple Store** or **Google Play**.

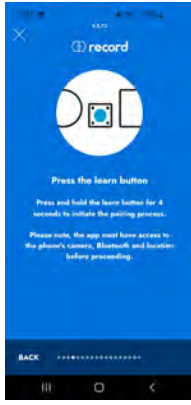
Google Play



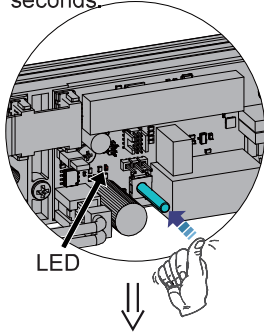
### 2 Log in to the app with owner



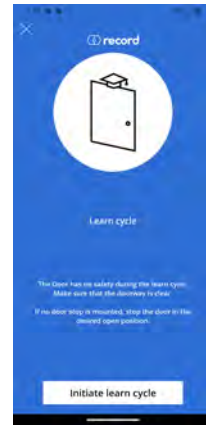
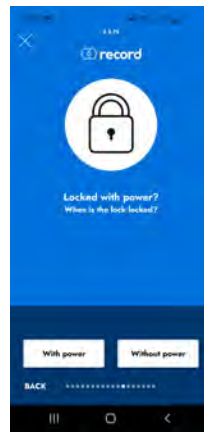
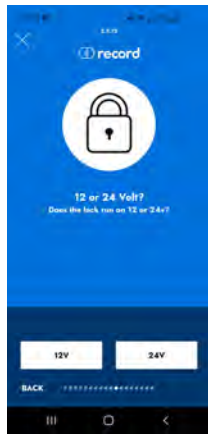
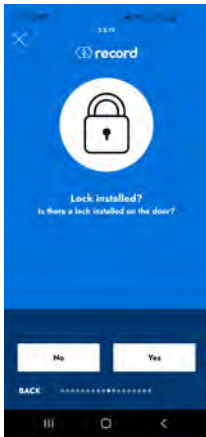
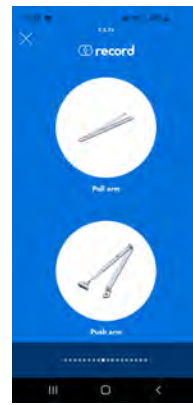
### 3 Learn



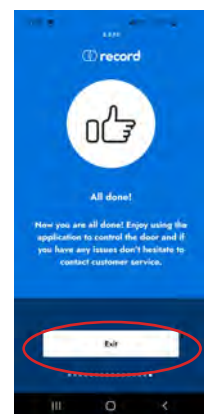
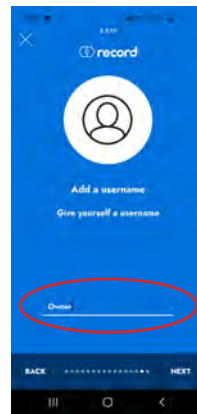
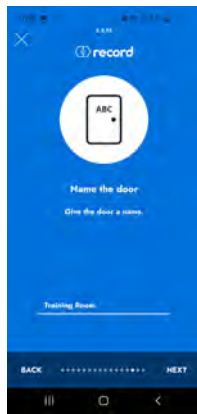
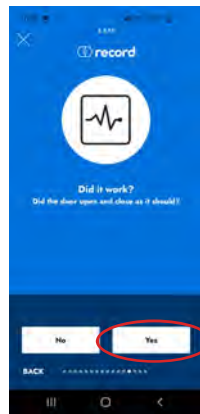
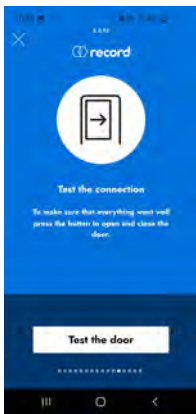
Press Learn button on CU for more than 4 seconds.



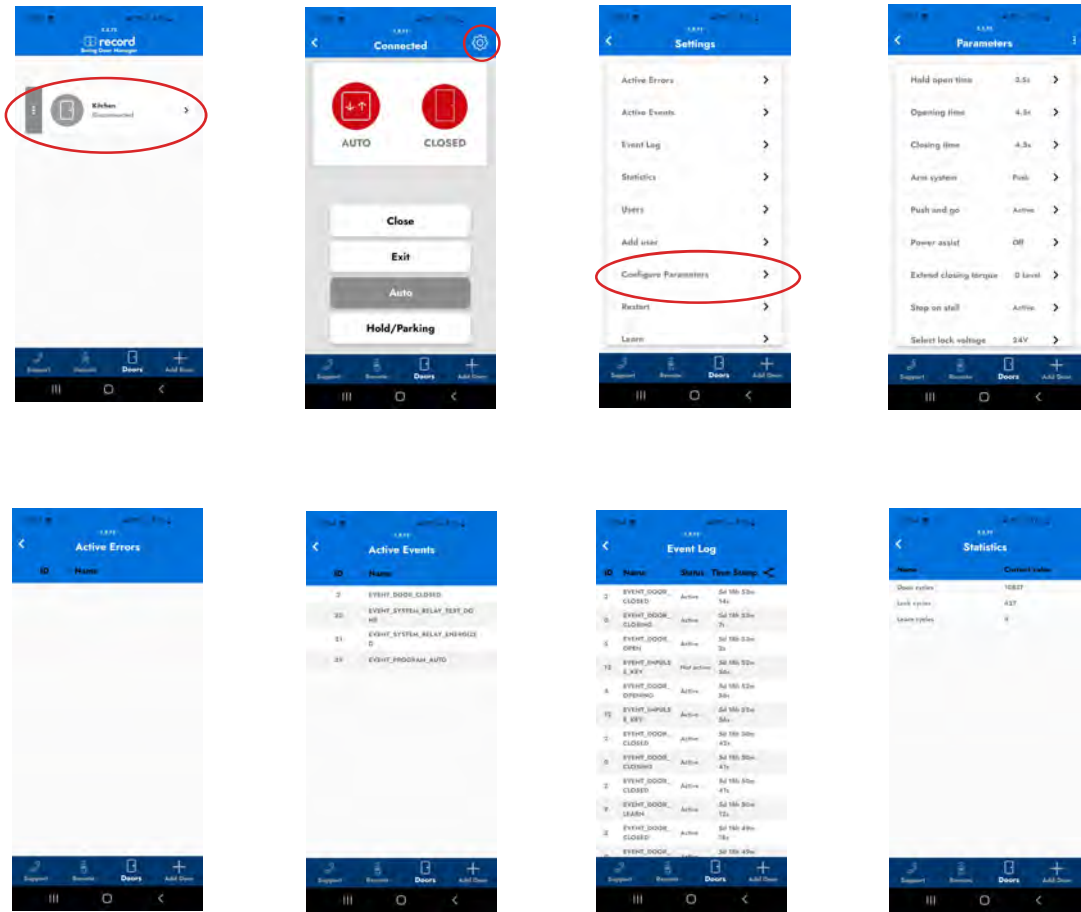
Scan QR code on the product.



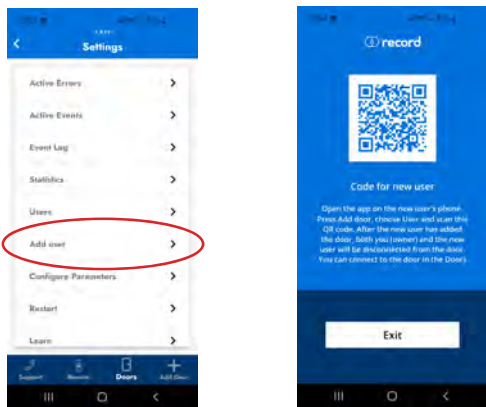
### 4 Test



## 5 Settings

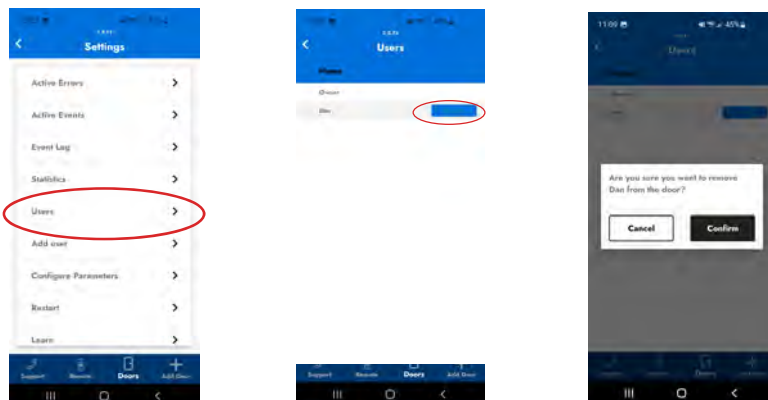


## 6 Add user

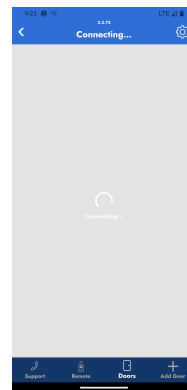
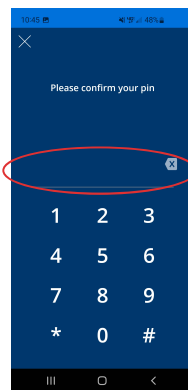
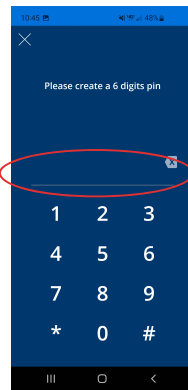
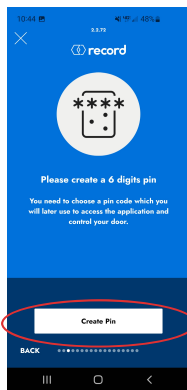
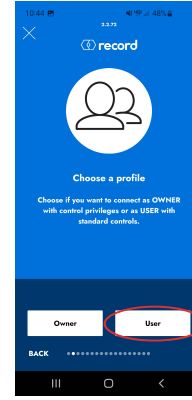
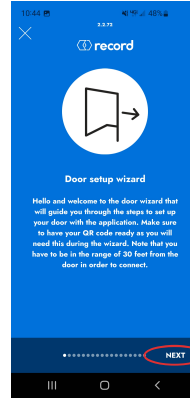
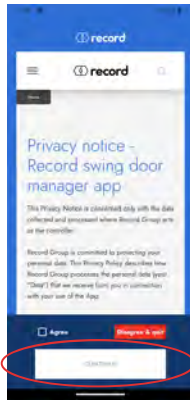


Note! There is a maximum of 7 users.

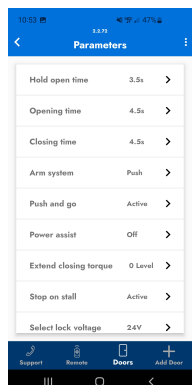
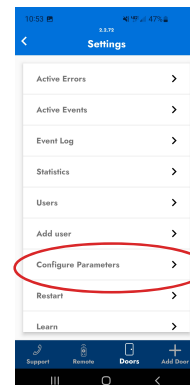
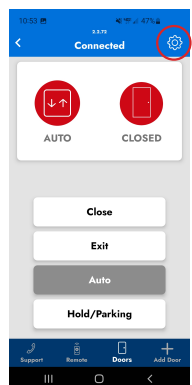
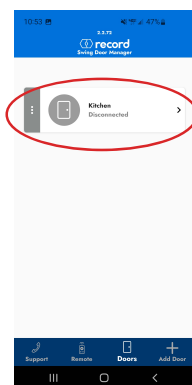
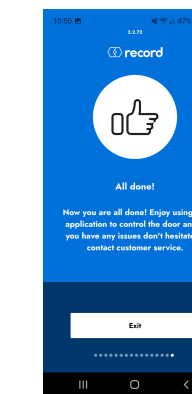
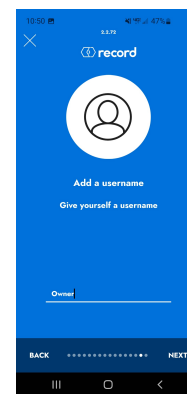
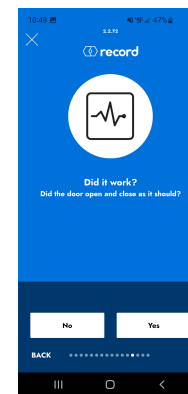
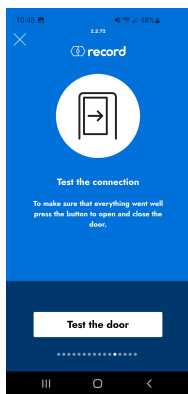
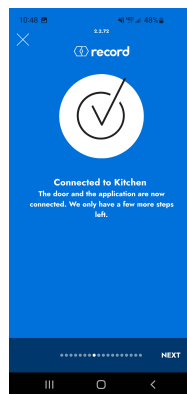
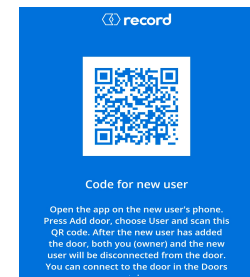
## 7 Remove user



# 8 Log in to the app with user



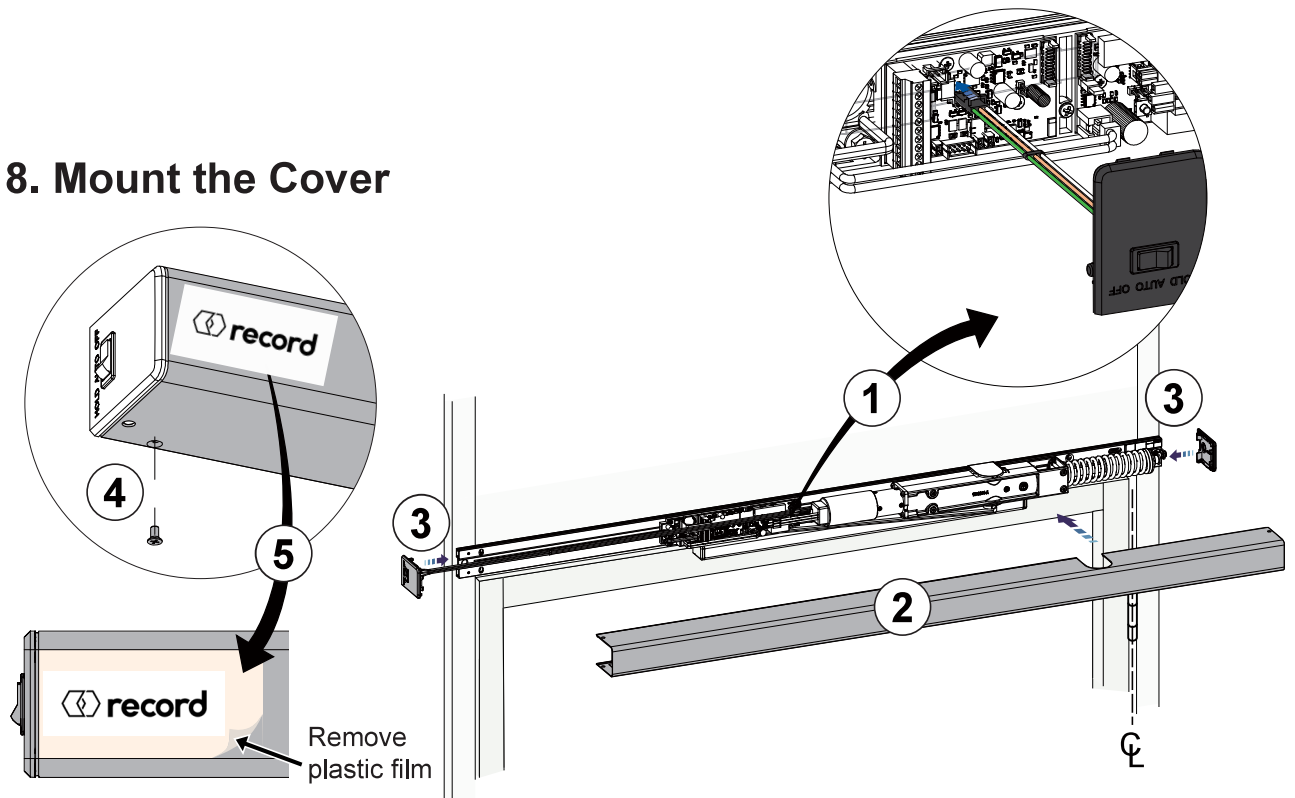
At the same time, owner should "Add user" and show the QR code. User scan the QR code from owner.



## 7. Configuration Parameters

Parameter name	Default settings	Value
Hold open time	2.5s	2s - 6h
Opening time	4.5s	4.5s - 9s
Closing time	4.5s	4.5s - 9s
Arm system	Push	Push / Pull
Push and go	Not active	Not active / Active
Power assist	Off	Off / Low / Medium / High
Extend closing torque	0 (Lowest)	0 (Lowest) - 10 (Highest)
Stop on stall	Active	Not active / Active
Select lock voltage	24V	12V / 24V
Select lock power	Lock with power	Lock with power / Lock without power
Push and close	Not active	Not active / Active
Key impulse hold open time	2s	2s - 25s
Number of lock retries	1 time	0 - 2 times
Lock kick	Not active	Not active / Active
Reverse upon obstruction	Active	Not active / Active
Lock release time	0s	0s - 5s
Ratchet Function	Not active	Not active / Active

## 8. Mount the Cover



# 9. Wiring Diagram

## MODE DOOR OPERATOR FUNCTION

- AUTO** Any activation signal into **KEY**, **I IMP**, or **O IMP** will activate the door operator, but will not provide **LOCK** power to external locking device
- EXIT** Any activation signal into **KEY** or **I IMP** will activate the door operator and provide **LOCK** power to external locking device
- OFF** Only an activation signal into **KEY** will activate the door operator and provide **LOCK** power to external locking device

