

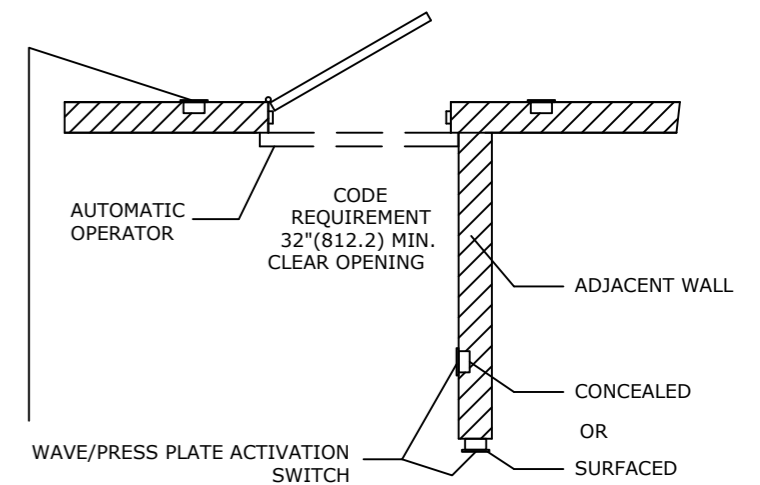
NOTE: THE STANDARD PACKAGE CONSISTS OF:
 THE AUTOMATIC OPERATOR, CONTROLLER, POWER SUPPLY, POWER SUPPLY HOLDER, PUSH ARM, SPINDLE COVERS, HOLD/AUTO/OFF SWITCH, SMART DEVICE OPERATION VIA APP (DEVICE BY OTHERS), 5' POWER CORD, 14' POWER CORD EXTENSION, ELECTRONIC & MECHANICAL LOCK KICK, SMART DEVICE DIAGNOSTICS & STATISTICS VIA APP (DEVICE BY OTHERS)
 STANDARD FINISH: CLEAR OR DARK BRONZE

- OPTIONS:**
- REMOTE POWER BOX ADAPTOR KIT, CONCEALED IN CEILING OR FLUSH MOUNTED IN WALL. CUT SHEET AA-61
 - SURFACE MOUNTED WIRE MOLD
 - DOOR MOUNTED APPROACH SIDE SAFETY SENSOR
 - WAVE OR PRESS ACTIVATION PLATES (PLATES CAN BE CONCEALED INTO WALL OR SURFACE MOUNTED WITH WATER RESISTANT PLASTIC ENCLOSURE)
 - ELECTRIC STRIKE TO RELEASE DOOR LATCH (IF EQUIPPED)

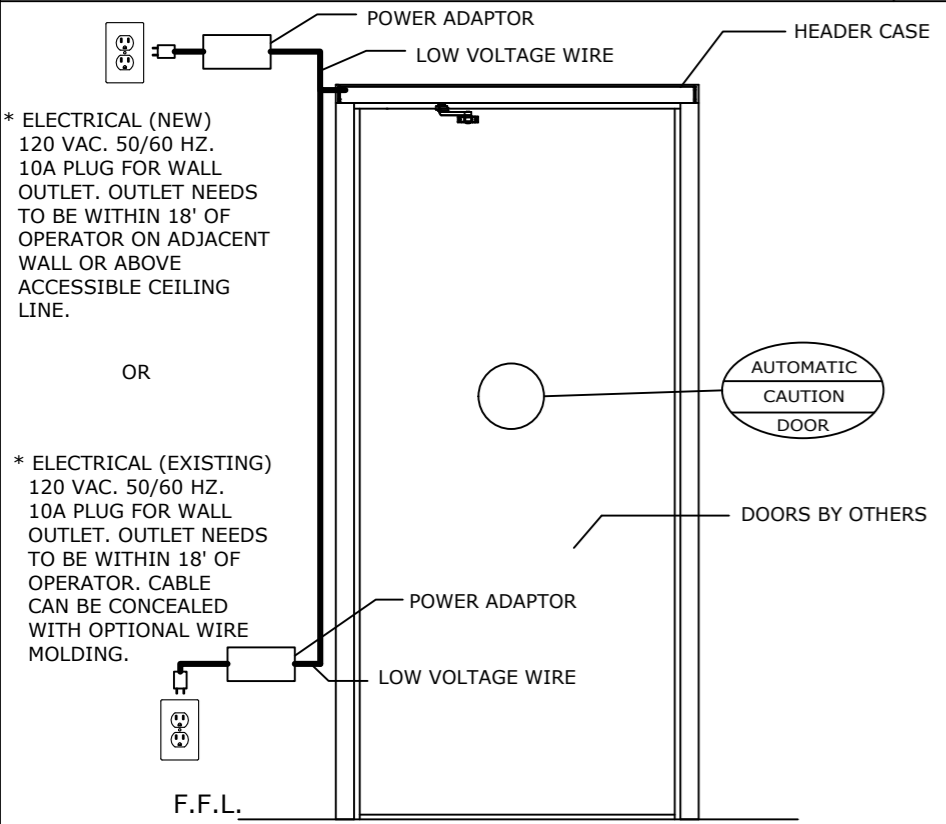
- AUTOMATIC :-**
 ACTIVATE THE DOOR BY HANDICAPPED WAVE/PRESS PLATE AND THE DOOR WILL SLOWLY POWER OPEN, TIME OUT, AND SLOWLY CLOSE.
- PUSH ACTIVATION :- (OPTIONAL)**
 PUSH OR PULL THE DOOR AND IT WILL SLOWLY POWER OPEN, TIME OUT, AND SLOWLY CLOSE.

NOTE : OPERATIONAL ADJUSTMENTS TO BE IN ACCORDANCE WITH ANSI/BHMA A156.19 STANDARD. FOR LOW ENERGY POWER OPERATED DOORS.

NOTE : WAVE/PRESS PLATE ACTIVATION TO BE LOCATED WITHIN VIEW OF THE DOOR. REFERENCE ANSI A156.19 FOR FURTHER DETAILS.



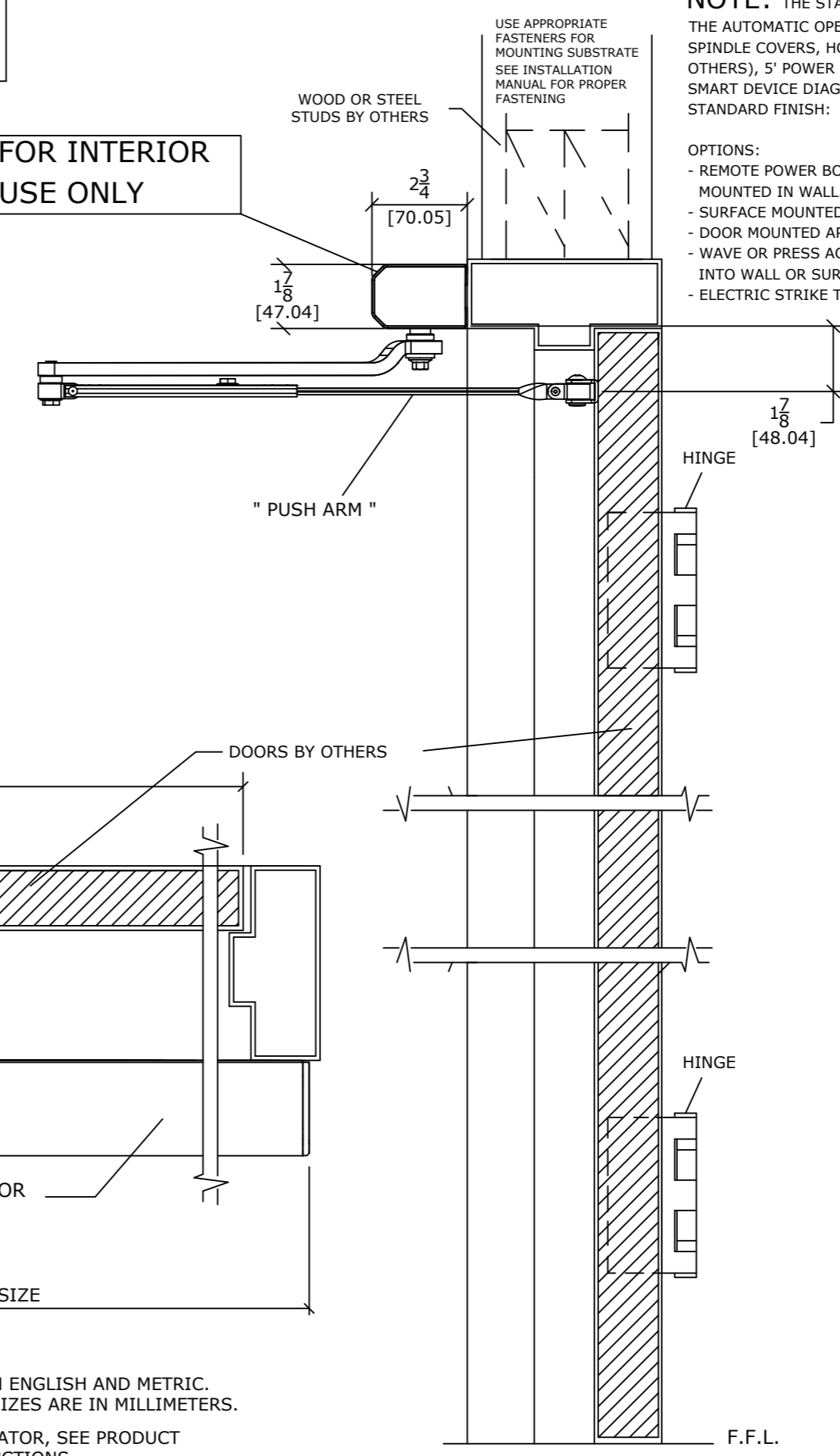
DWG NO.	1021475				
DRN BY	SS	DATE	7/23/20	CHK BY	DATE
				REV. 3.0	DATE 7/14/22



* ELECTRICAL (NEW)
 120 VAC. 50/60 HZ.
 10A PLUG FOR WALL
 OUTLET. OUTLET NEEDS
 TO BE WITHIN 18' OF
 OPERATOR ON ADJACENT
 WALL OR ABOVE
 ACCESSIBLE CEILING
 LINE.

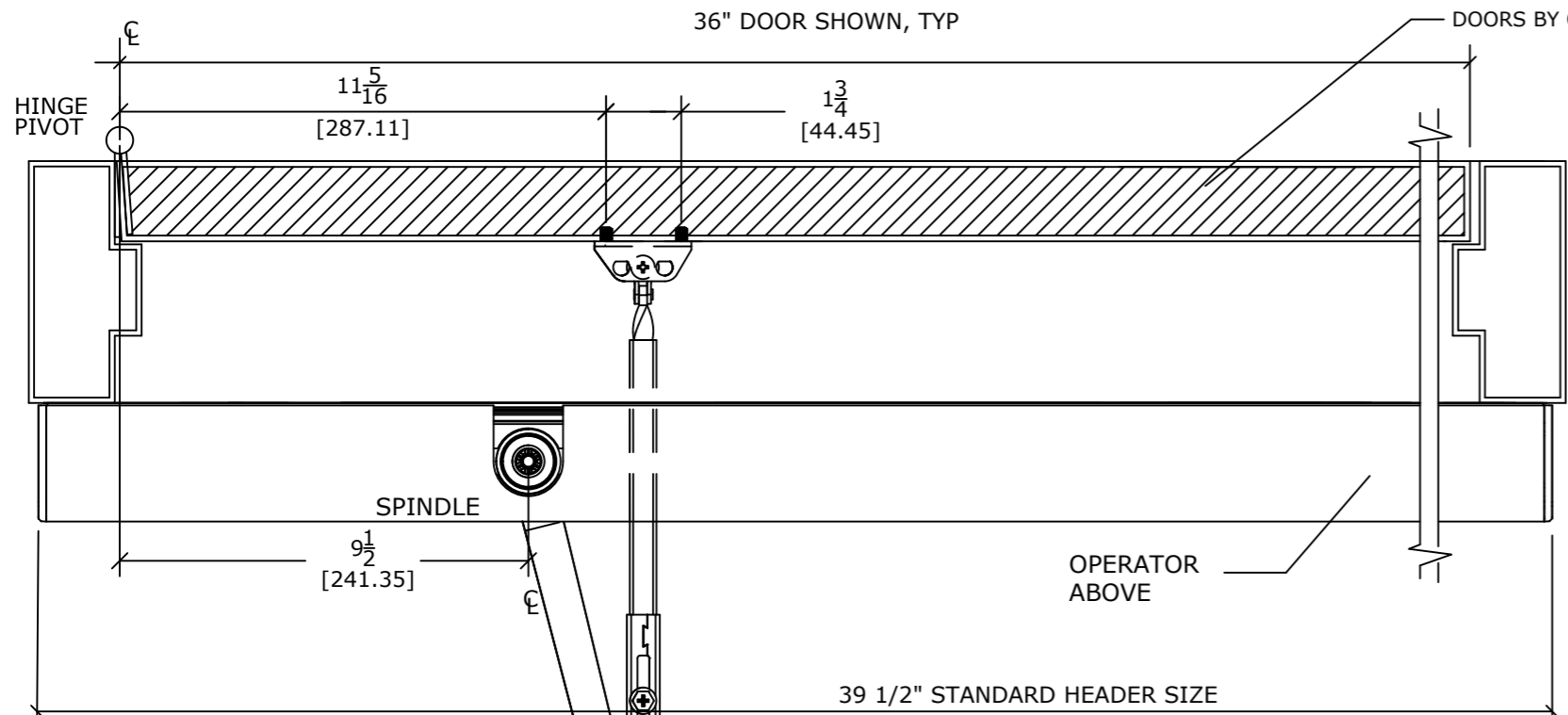
* ELECTRICAL (EXISTING)
 120 VAC. 50/60 HZ.
 10A PLUG FOR WALL
 OUTLET. OUTLET NEEDS
 TO BE WITHIN 18' OF
 OPERATOR. CABLE
 CAN BE CONCEALED
 WITH OPTIONAL WIRE
 MOLDING.

**FOR INTERIOR
 USE ONLY**



LH PUSH SHOWN (RH OPPOSITE)

36" DOOR SHOWN, TYP



NOTE: DRAWING IS DIMENSIONED IN BOTH ENGLISH AND METRIC. REF. AS FOLLOWS: 1" (25.4). ALL METRIC SIZES ARE IN MILLIMETERS.

* FOR MAXIMUM CURRENT DRAW PER OPERATOR, SEE PRODUCT SPECIFICATION OR INSTALLATION INSTRUCTIONS.
 POWER ADAPTOR TO BE INSTALLED PER NFPA 70/NEC REQUIREMENTS AND/OR AHJ