



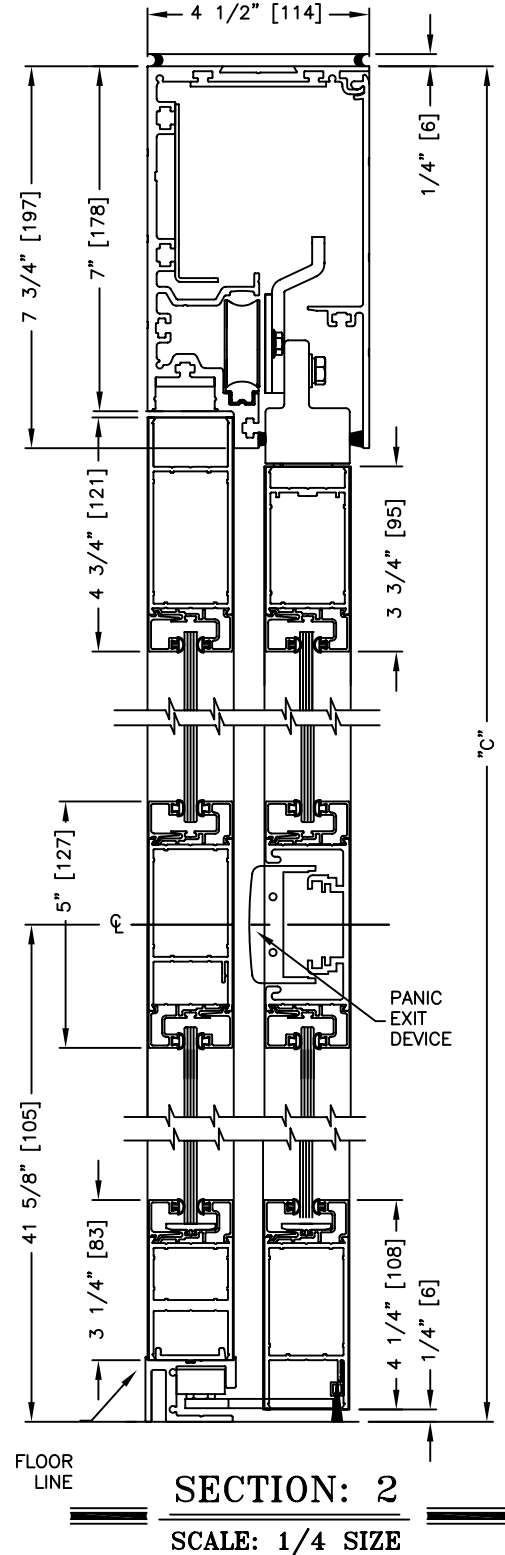
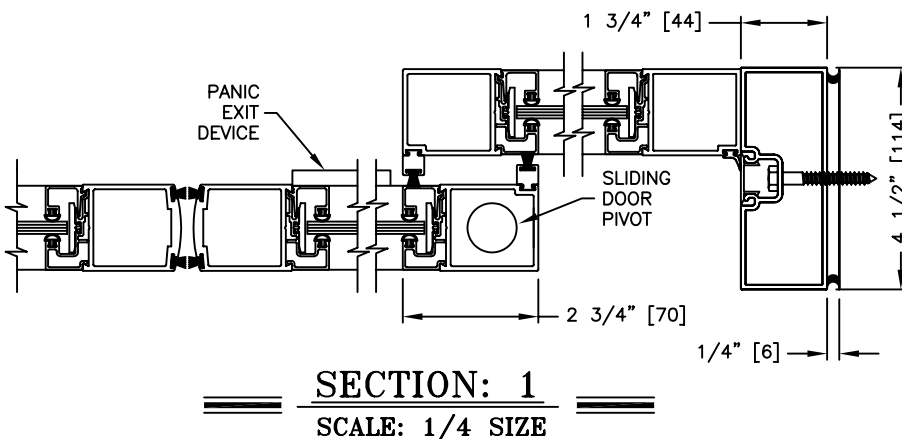
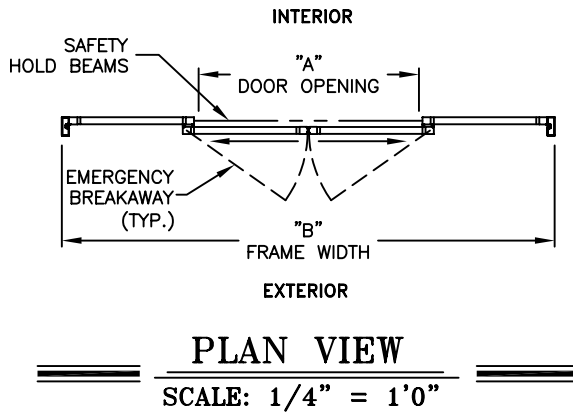
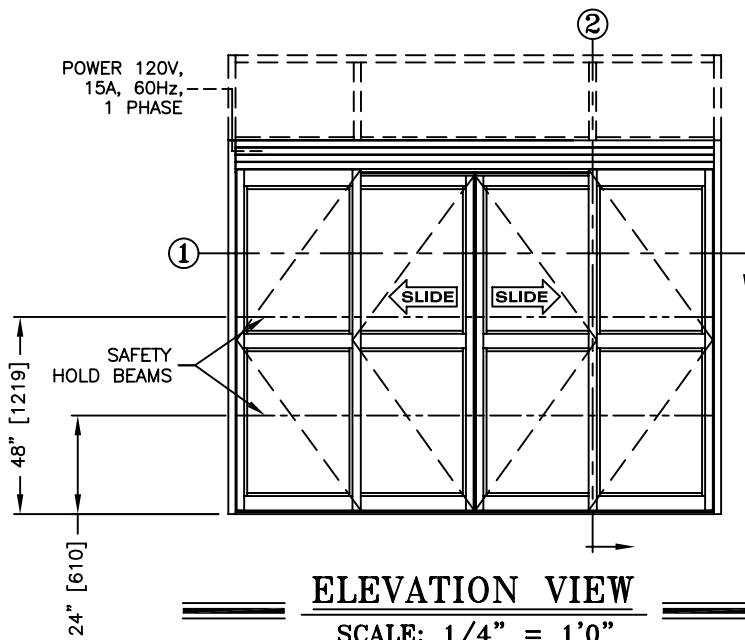
record-usa
4910 STARCREST DR.
MONROE, NC 28110
(704) 289 - 9212

JOB NAME: _____

LOCATION: _____

SERIES 5100 AUTOMATIC SLIDING DOORS

TYPE: 5103-1, 0-SX-SX-0, BI-PART
WITH SECURITY PACKAGE PAGE 51-2.35



NOTES:

1. Security Package includes concealed vertical rod paddle type exit devices on the sliding doors and fail secure electric lock in the header.
2. See sheets 51-2.77 thru 51-2.82 for optional muntins, bottom rails, transoms, glazing variations, bottom guides & thresholds.
3. See sheet 51-2.03 for package size details.