



record

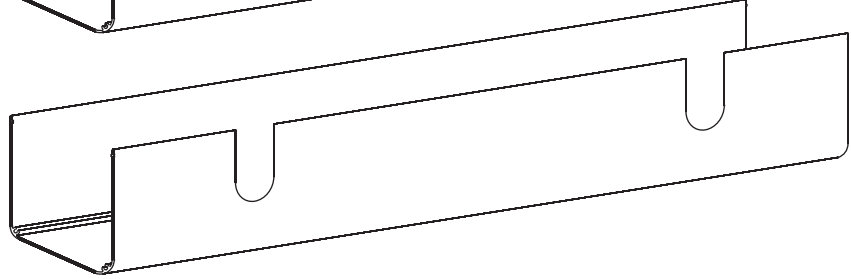
# SERIES 6100/8100 HEADER COVERS

16MAY07  
25SEP08

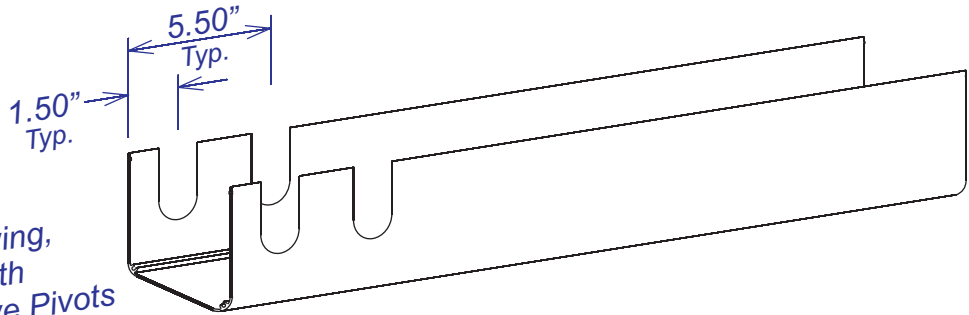
**Header Configuration 1**  
Standard Single Swing,  
Non-Handed Cover



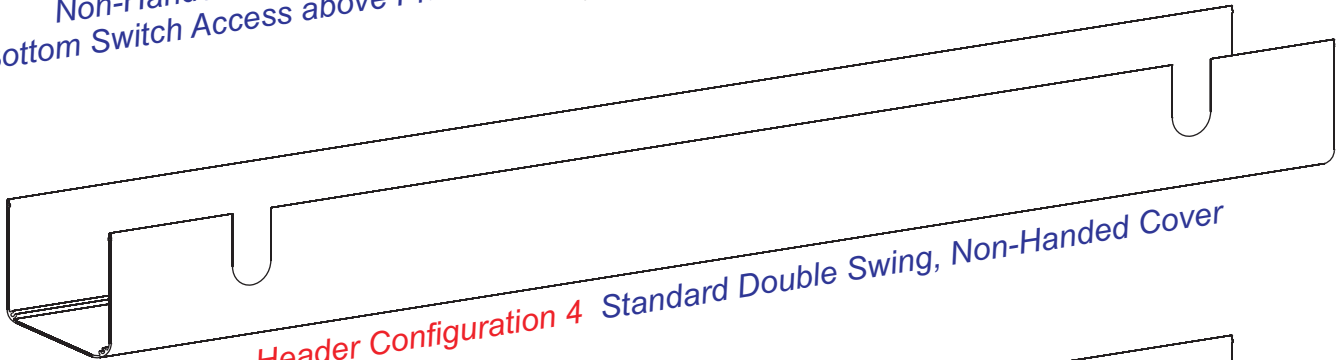
**Header Configuration 2**  
Non-Standard Single Swing,  
Non-Handed Cover with  
Bottom Switch Access above Lock



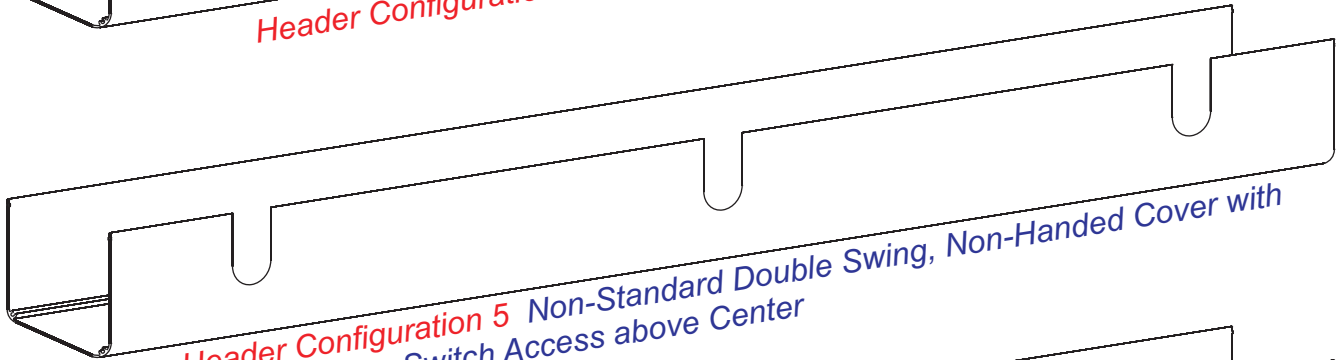
**Header Configuration 3**  
Non-Standard Single Swing,  
Non-Handed Cover with  
Bottom Switch Access above Pivots



**Header Configuration 4** Standard Double Swing, Non-Handed Cover



**Header Configuration 5** Non-Standard Double Swing, Non-Handed Cover with  
Bottom Switch Access above Center



**Header Configuration 6** Non-Standard Double Swing, Non-Handed Cover with  
Bottom Switch Access above Hinges / Pivots

