



record-USA
4324 Phil Hargett Ct.
Monroe, NC 28110
(704) 289 - 9212

Series 6100 / 8100 Standard Drive Arm Adapter Revision

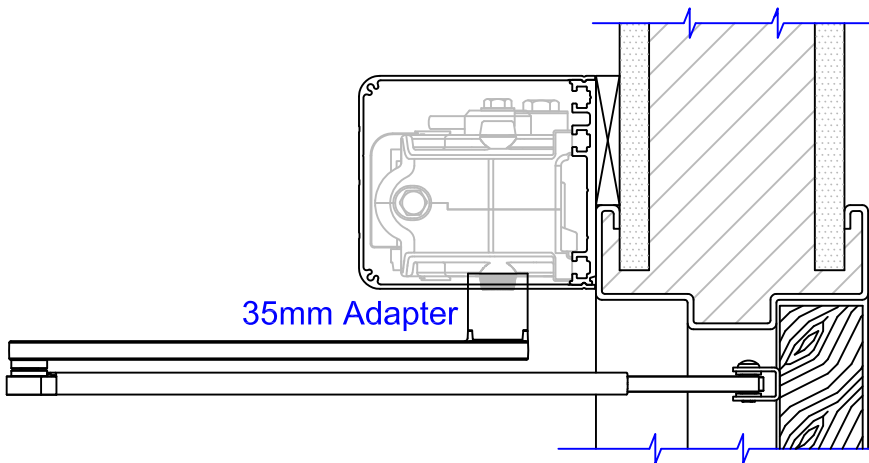
AUG'10

In response to field requests, the adapter provided with the standard arm assembly (9-80-0105) has been revised from 20mm to 35mm. For typical outswing applications, this will allow more flexibility in the mounting height location of the Series 6100/8100 operator.

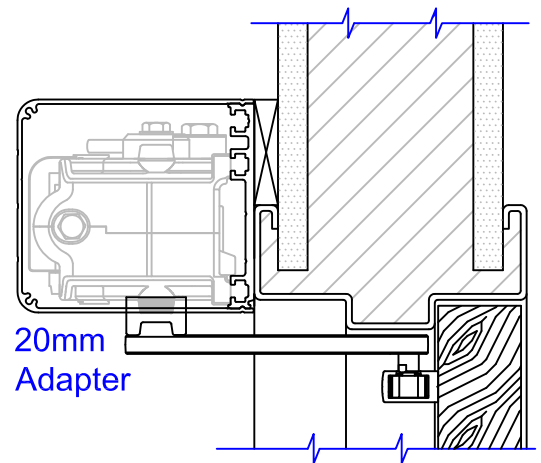
Please note that it will change the required mounting height location of the operator on inswing applications, required to provide clearance for the door to swing under the arm. Consult the Installation Instructions shipped with the unit for additional information.

The slide track arm assembly (9-80-0104) will continue to include a 20mm adapter.

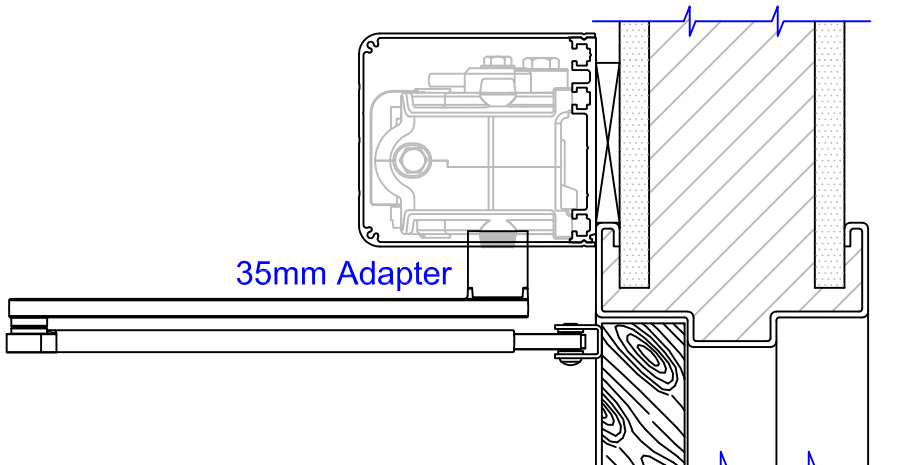
Below are typical layouts for both the standard arm assembly with 35mm adapter and the slide track arm assembly with 20mm adapter.



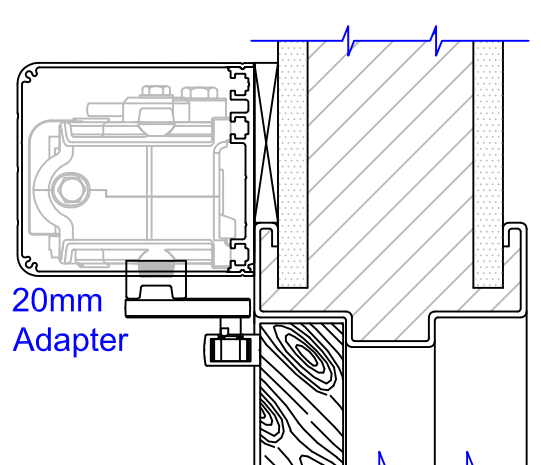
35mm Adapter
STANDARD ARM ASSEMBLY
OUTSWING CONFIGURATION



20mm Adapter
SLIDE TRACK ARM ASSEMBLY
OUTSWING CONFIGURATION



35mm Adapter
STANDARD ARM ASSEMBLY
INSWING CONFIGURATION



20mm Adapter
SLIDE TRACK ARM ASSEMBLY
INSWING CONFIGURATION