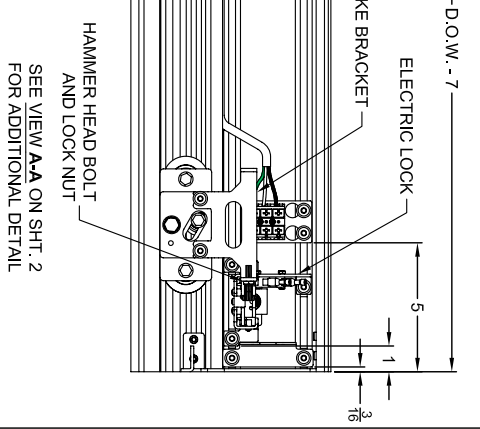


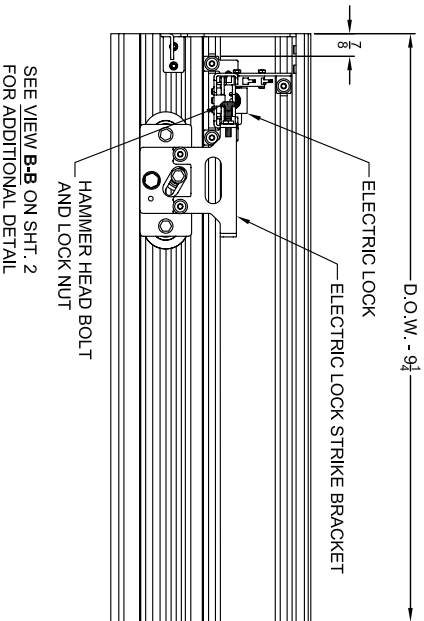
$\frac{1}{8}$  (NARROW STILE)  
 $\frac{3}{8}$  (MEDIUM STILE)

**SINGLE SLIDE UNITS**

- 5101 O-SX          5111 SX-SO/SO
- 5105 SX-SO      5113 P/SX-SO
- 5107 P-SX        5117 SX-P (R.B.O.)



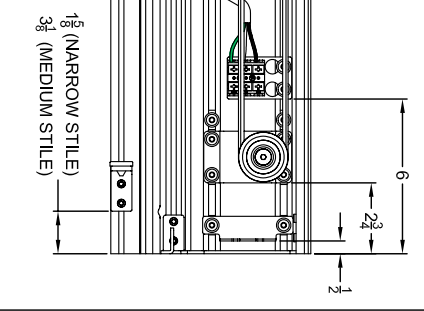
D.O.W. - 7  
 ELECTRIC LOCK STRIKE BRACKET — 5  
 ELECTRIC LOCK — 5  
 1  
 $\frac{1}{8}$   
 HAMMER HEAD BOLT AND LOCK NUT  
 SEE VIEW **AA** ON SHT. 2 FOR ADDITIONAL DETAIL



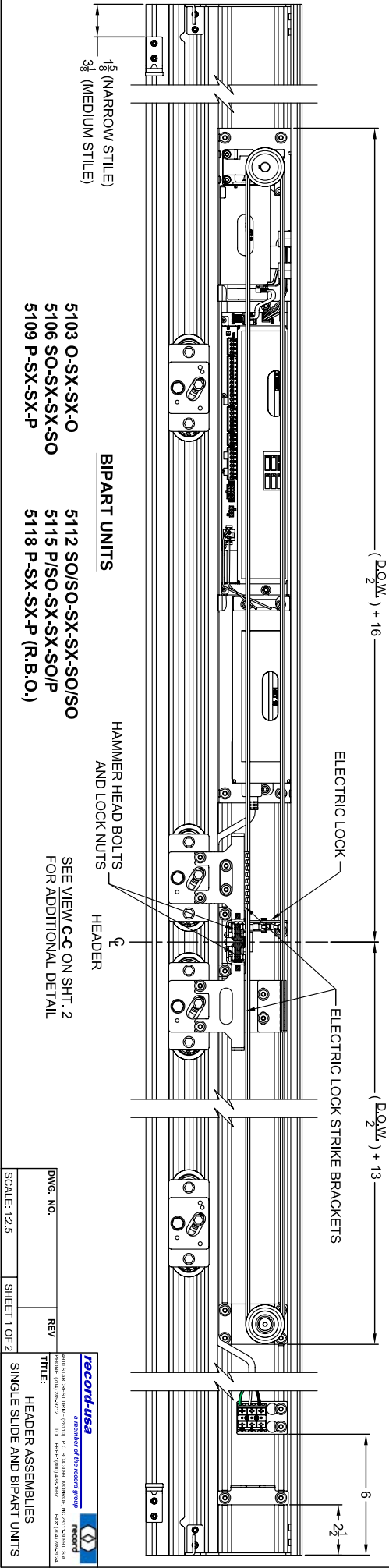
D.O.W. -  $\frac{9}{16}$   
 ELECTRIC LOCK  
 ELECTRIC LOCK STRIKE BRACKET  
 7  
 HAMMER HEAD BOLT AND LOCK NUT

**SINGLE SLIDE UNITS**

- 5102 SX-O          5110 SO/SO-SX
- 5104 SO-SX      5114 SX-SO/P
- 5108 SX-P        5116 P-SX (R.B.O.)

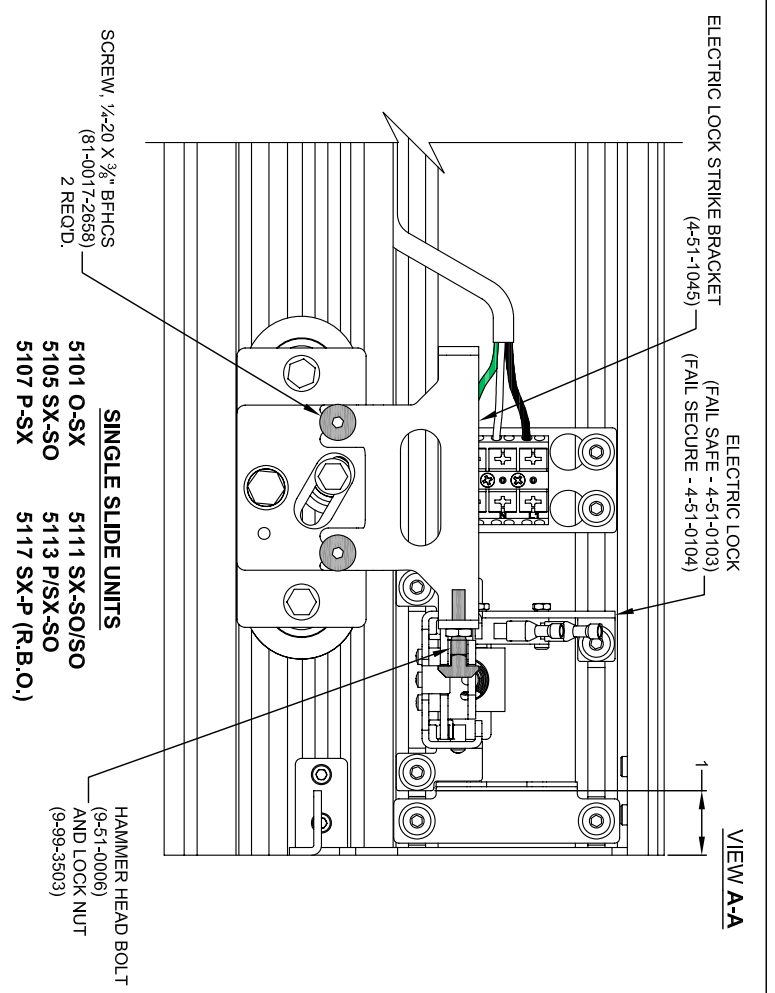


$\frac{1}{8}$  (NARROW STILE)  
 $\frac{3}{8}$  (MEDIUM STILE)  
 6  
 2 1/2  
 1  
 $\frac{1}{8}$

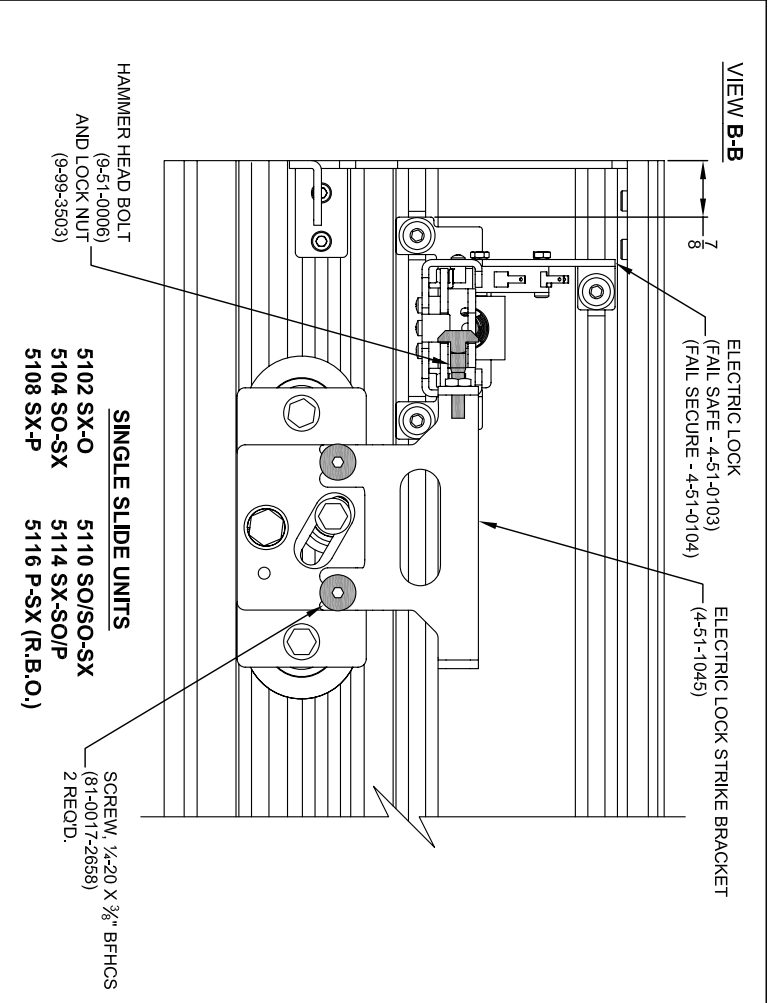


(D.O.W.) + 16  
 ELECTRIC LOCK  
 ELECTRIC LOCK STRIKE BRACKETS  
 (D.O.W.) + 13  
 ELECTRIC LOCK  
 ELECTRIC LOCK STRIKE BRACKETS  
 7  
 HAMMER HEAD BOLTS AND LOCK NUTS  
 HEADER  
 $\frac{1}{8}$  (NARROW STILE)  
 $\frac{3}{8}$  (MEDIUM STILE)

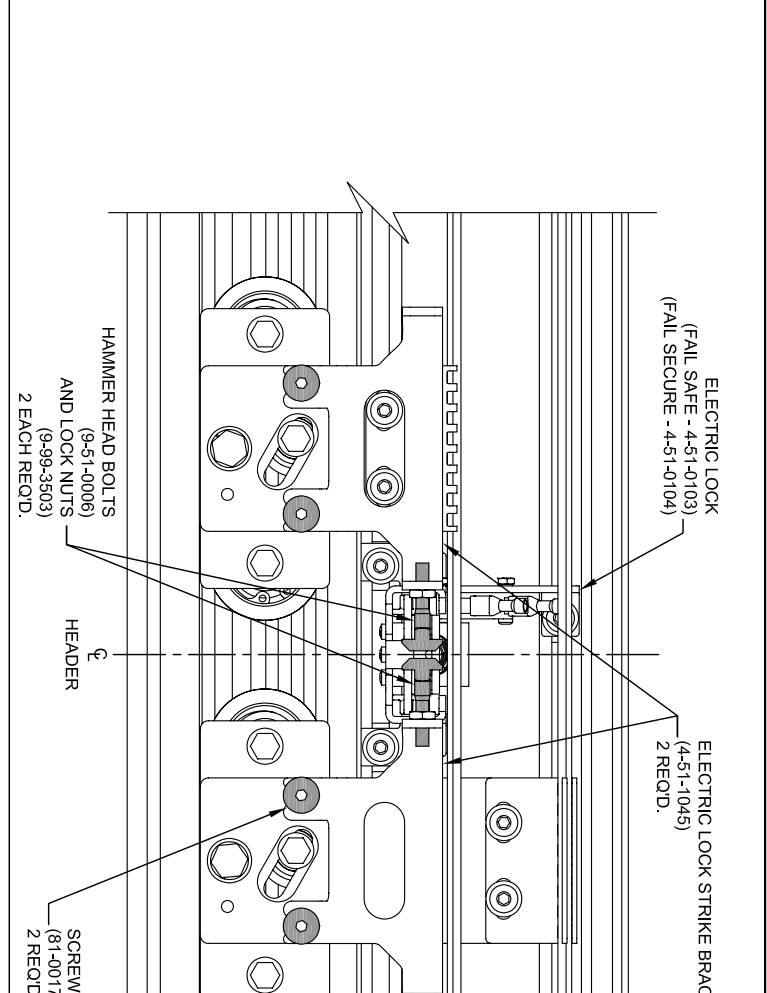
6  
 2 1/2  
**BIPART UNITS**  
 5103 O-SX-SX-O  
 5106 SO-SX-SX-SO  
 5109 P-SX-SX-P  
 5112 SO/SO-SX-SX-SO/SO  
 5115 P/SO-SX-SX-SO/P  
 5118 P-SX-SX-P (R.B.O.)  
 SEE VIEW **C-C** ON SHT. 2 FOR ADDITIONAL DETAIL  
 HAMMER HEAD BOLTS AND LOCK NUTS  
 HEADER  
**record-usa** Division of the record group  
 CONTACT: 708.947.7800 FAX: 708.947.7800  
 TEL: 708.947.7800 FAX: 708.947.7800  
 TITLE: **HEADER ASSEMBLIES**  
**SINGLE SLIDE AND BIPART UNITS**  
 DWG. NO.          REV  
 SCALE: 1:2.5      SHEET 1 OF 2



**VIEW A-A**



**VIEW B-B**



**VIEW C-C**

- SCREW, 1/4-20 X 3/8" BPHCS (81-0017-2658) 2 REQD.
- SINGLE SLIDE UNITS**
- 5101 O-SX      5111 SX-SO/SO
- 5105 SX-SO    5113 P/SX-SO
- 5107 P-SX      5117 SX-P (R.B.O.)
- HAMMER HEAD BOLT AND LOCK NUT (9-51-0006) (9-99-3503)

- HAMMER HEAD BOLT AND LOCK NUT (9-51-0006) (9-99-3503)
- SINGLE SLIDE UNITS**
- 5102 SX-O      5110 SO/SO-SX
- 5104 SO-SX    5114 SX-SO/P
- 5108 SX-P      5116 P-SX (R.B.O.)
- SCREW, 1/4-20 X 3/8" BPHCS (81-0017-2658) 2 REQD.

- ELECTRIC LOCK (FAIL SAFE - 4-51-0103) (FAIL SECURE - 4-51-0104)
- ELECTRIC LOCK STRIKE BRACKETS (4-51-1045) 2 REQD.
- HAMMER HEAD BOLTS AND LOCK NUTS (9-51-0006) (9-99-3503) 2 EACH REQD.
- HEADER
- SCREW, 1/4-20 X 3/8" BPHCS (81-0017-2658) 2 REQD.

- BIPART UNITS**
- 5103 O-SX-SX-O      5112 SO/SO-SX-SX-SO/SO
  - 5106 SO-SX-SX-SO    5115 P/SO-SX-SX-SO/P
  - 5109 P-SX-SX-P      5118 P-SX-SX-P (R.B.O.)