



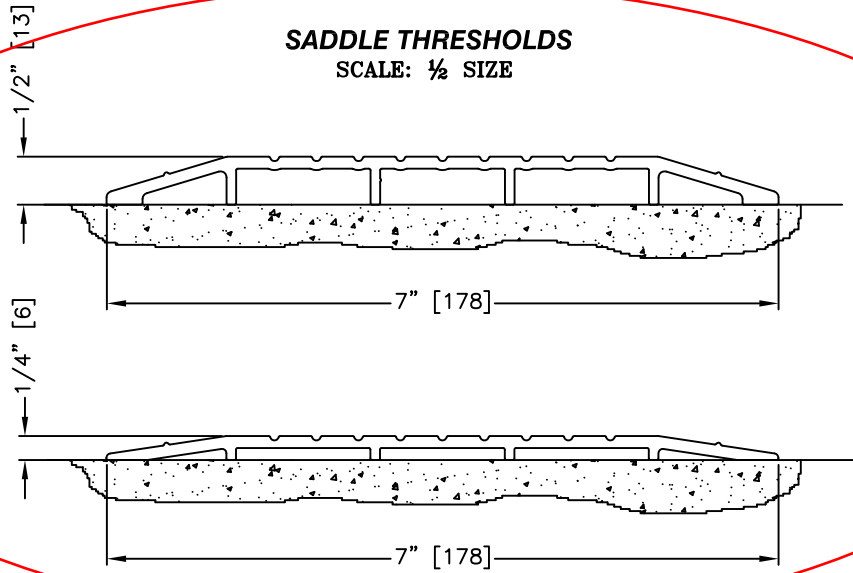
record-usa
4910 STARCREST DR.
MONROE, NC 28110
(704) 289 - 9212

SERIES 5100 AUTOMATIC SLIDING DOORS

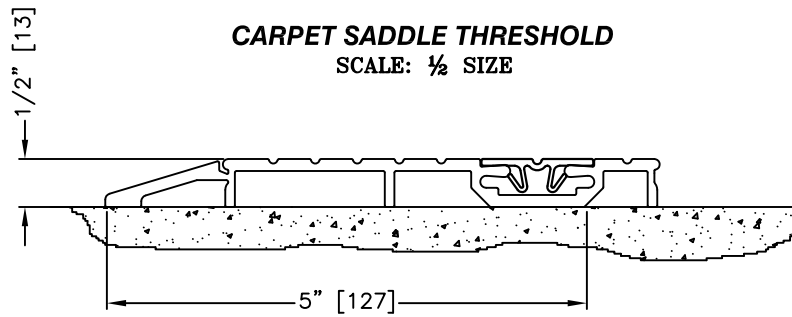
THRESHOLD AND DOOR SWEEP DETAILS

PAGE 51-2.91

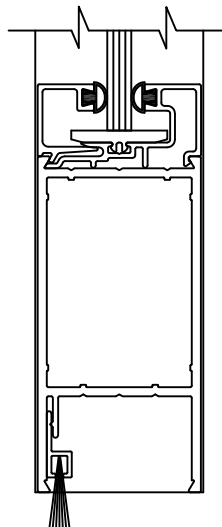
SADDLE THRESHOLDS
SCALE: 1/2 SIZE



CARPET SADDLE THRESHOLD
SCALE: 1/2 SIZE



DOOR SWEEP STRIP
SCALE: 1/2 SIZE



CONCEALED MOUNTED