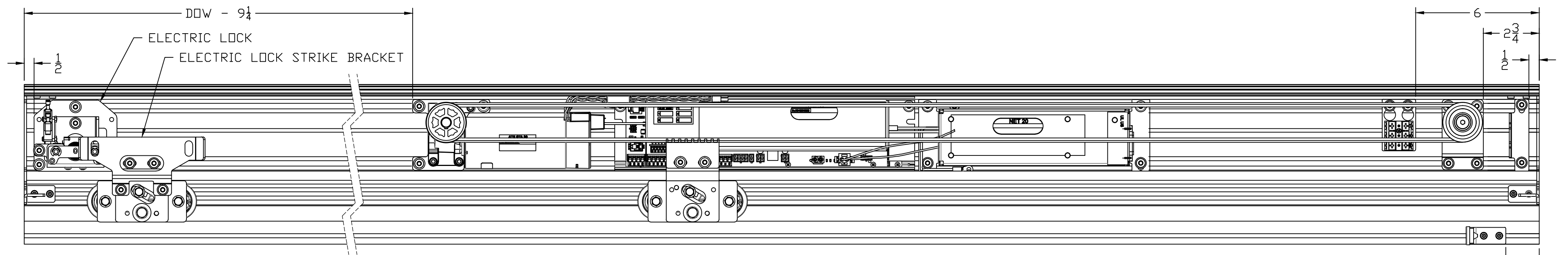


SINGLE SLIDE UNITS

- | | |
|------------|-----------------|
| 5101 □-SX | 5111 SX-SO/SO |
| 5105 SX-SO | 5113 P/SO-SX |
| 5107 P-SX | 5117 SX-P (RBO) |

SEE VIEW A-A ON SHT 2 FOR ADDITIONAL DETAILS

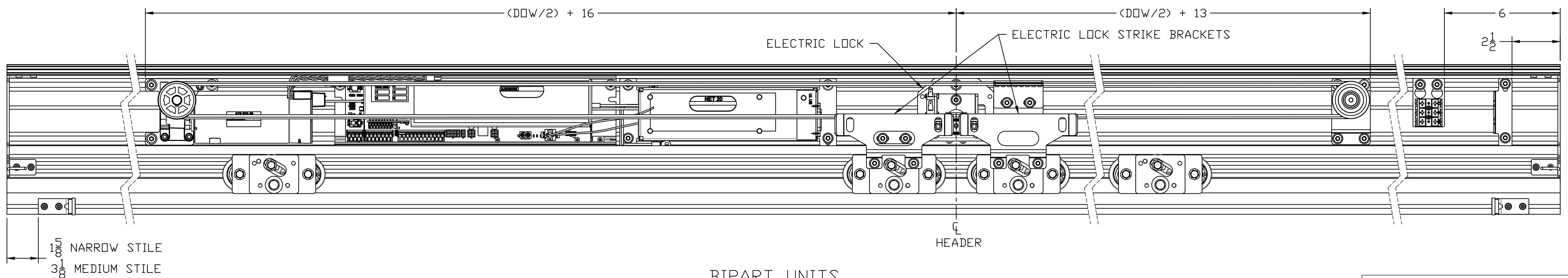


SEE VIEW B-B ON SHT 2 FOR ADDITIONAL DETAILS

SINGLE SLIDE UNITS

- | | |
|------------|-----------------|
| 5102 SX-□ | 5110 SO/SO-SX |
| 5104 SO-SX | 5114 SX-SO/P |
| 5108 SX-P | 5116 P-SX (RBO) |

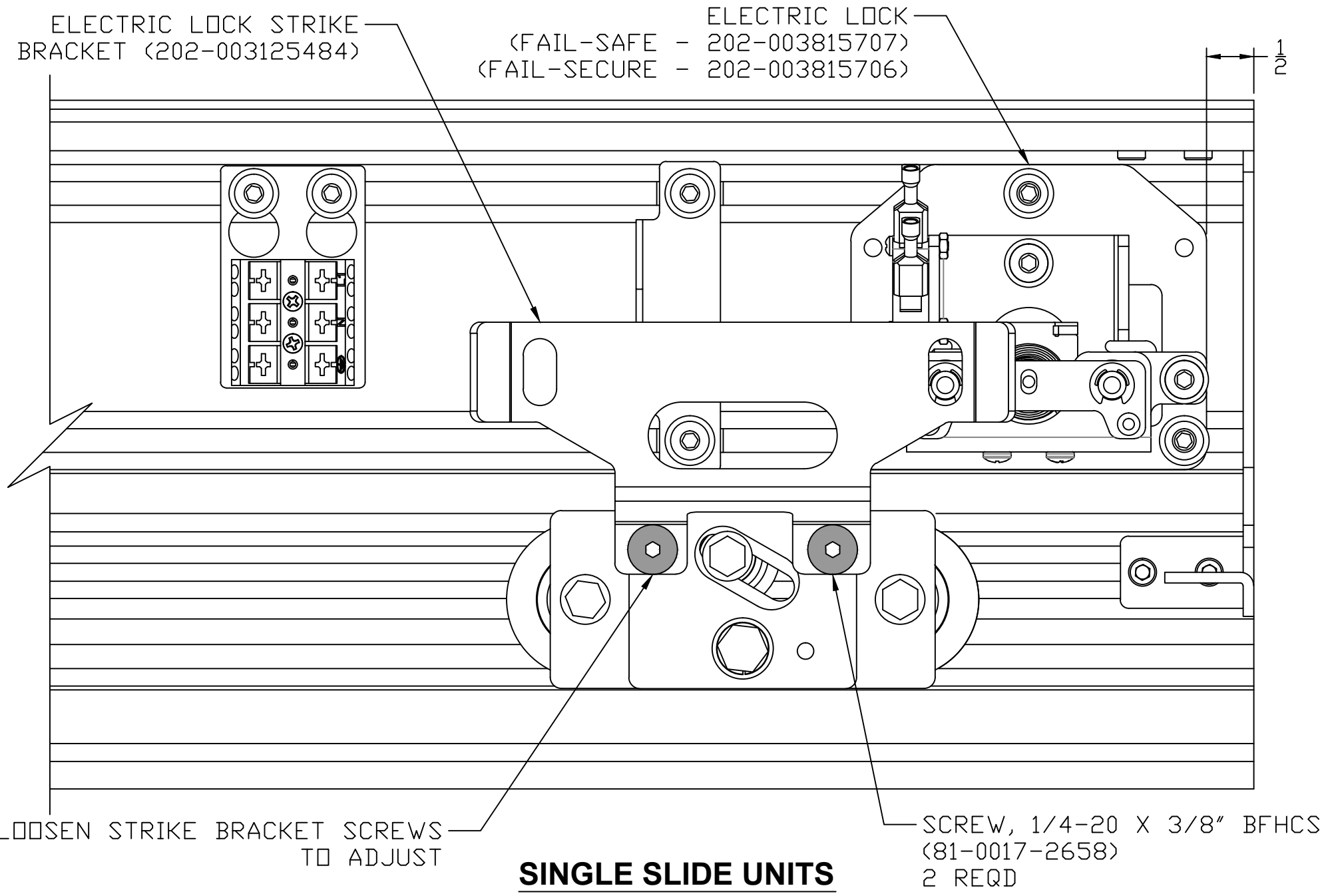
$\frac{15}{8}$ NARROW STILE
 $\frac{31}{8}$ MEDIUM STILE



BIPART UNITS

- | | |
|------------------|------------------------|
| 5103 □-SX-SX-□ | 5112 SO/SO-SX-SX-SO/SO |
| 5106 SO-SX-SX-SO | 5115 P/SO-SX-SX-SO/P |
| 5109 P-SX-SX-P | 5118 P-SX-SX-P (RBO) |

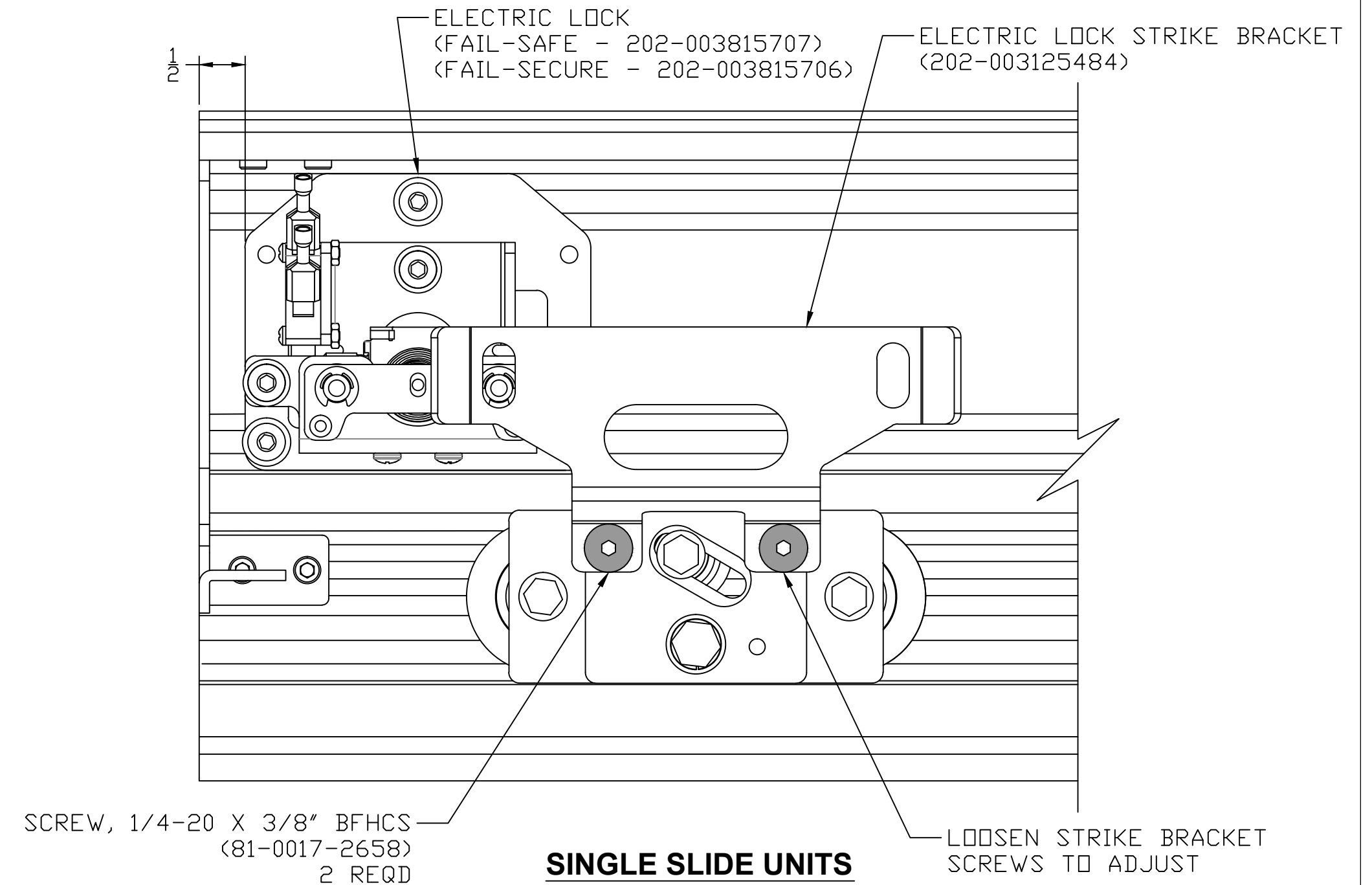
SEE VIEW C-C ON SHT 2 FOR ADDITIONAL DETAILS



SINGLE SLIDE UNITS

- | | |
|-------------------|---------------------------|
| 5101 O-SX | 5111 SX-SO/SO |
| 5105 SX-SO | 5113 P/SO-SX |
| 5107 P-SX | 5117 SX-P (R.B.O.) |

VIEW A-A

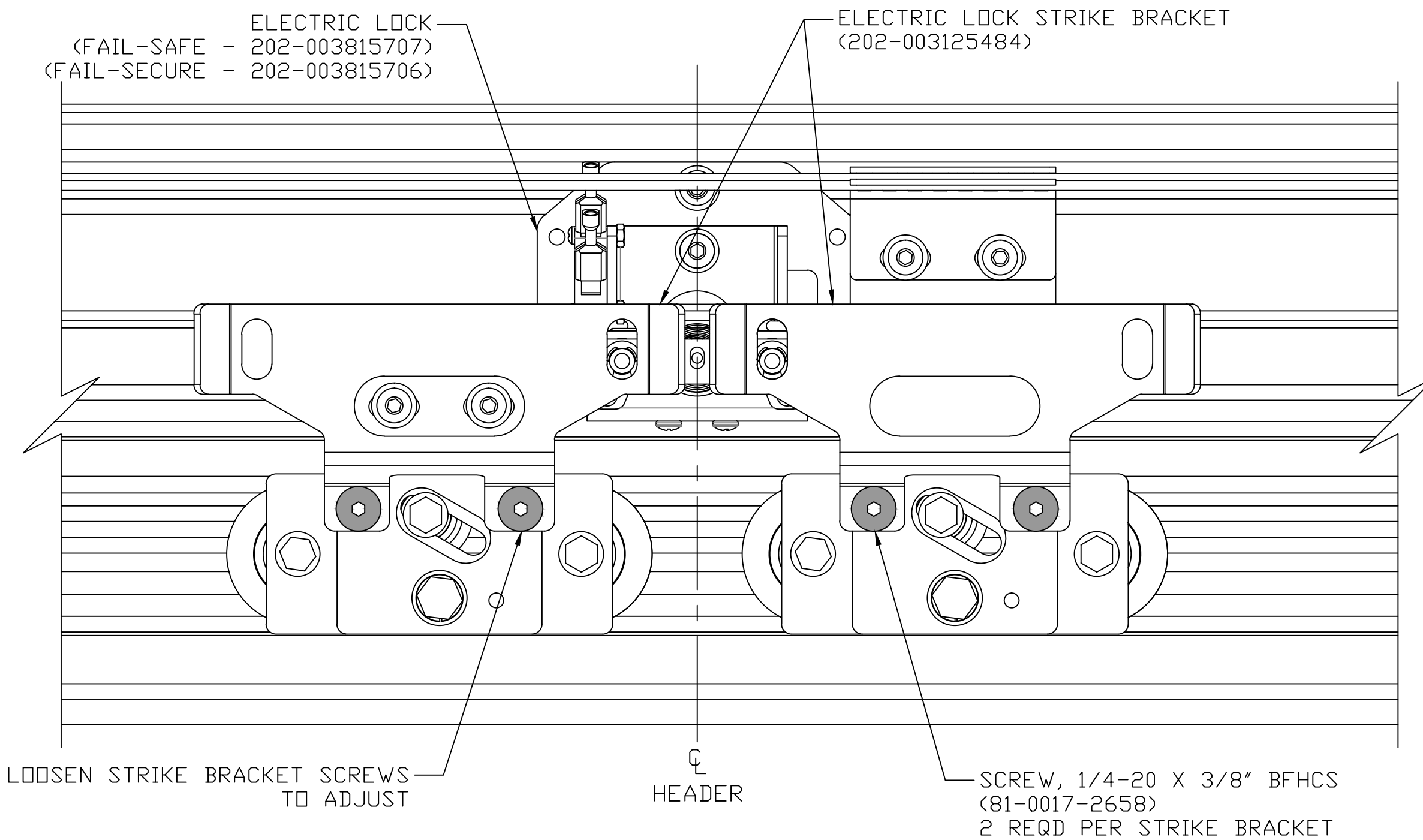


SINGLE SLIDE UNITS

- | | |
|-------------------|---------------------------|
| 5102 SX-O | 5110 SO/SO-SX |
| 5104 SO-SX | 5114 SX-SO/P |
| 5108 SX-P | 5116 P-SX (R.B.O.) |

VIEW B-B

VIEW C-C



BIPART UNITS

- | | |
|-------------------------|--------------------------------|
| 5103 O-SX-SX-O | 5112 SO/SO-SX-SX-SO/SO |
| 5106 SO-SX-SX-SO | 5115 P/SO-SX-SX-SO/P |
| 5109 P-SX-SX-P | 5118 P-SX-SX-P (R.B.O.) |