



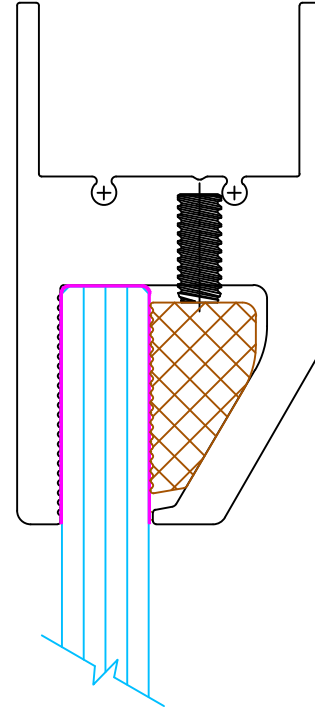
record-usa
4324 Phil Hargett Ct.
Monroe, NC 28110
(704) 724-1601

DESIGN FEATURES FOR GLASS AND ALUMINUM DOOR PANELS

06JUN2012

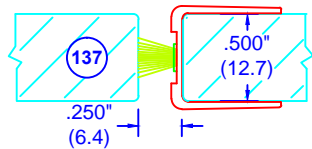
APPLICATION 1: CLAMPING RAIL

The top horizontal extrusions are clamped onto 1/2" tempered glass and will be used to suspend the door from an overhead track. The plastic film is wrapped over the edge of the glass to prevent direct contact between the glass and aluminum. It must be capable of supporting 200 - 300 lbs. of dead weight per linear foot of clamp. The set screws used to apply the clamping force are located every 6" along the length of the extrusions.



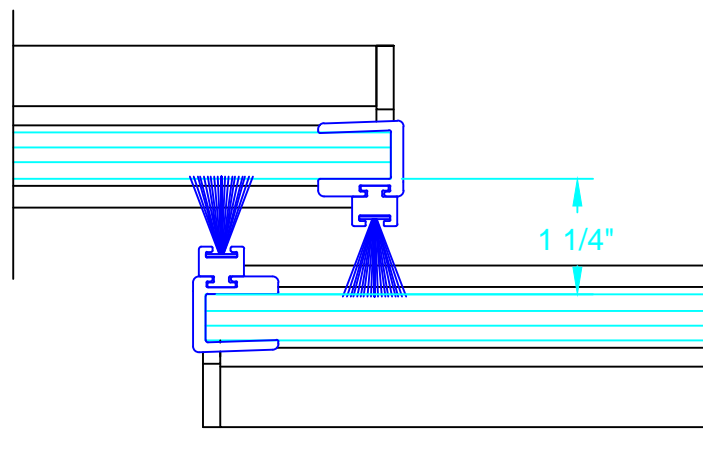
APPLICATION 2: Leading edge door "seal"

Flexible, Clear PVC Housing with Poly Pile Seal



APPLICATION 3: Trailing edge door "seal"

Clear PVC with Weather Pile Insert and long weather pile to cover large gap b/w panels



The drawing and/or technical information on this sheet is the property of record-USA, and is loaned in confidence for engineering and mutual assistance purposes only, & may not be reproduced or used to manufacture anything disclosed hereon without the express permission of record-USA, which may recall this sheet at any time.